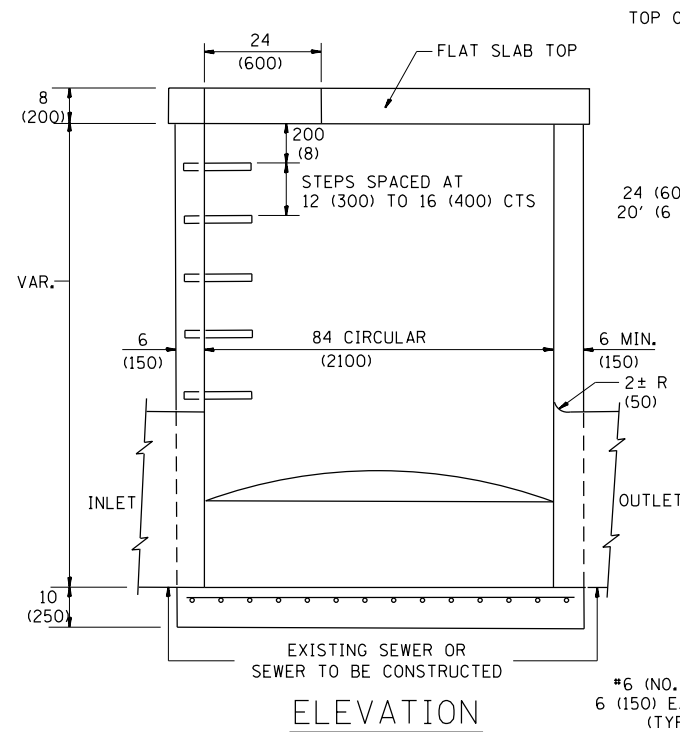
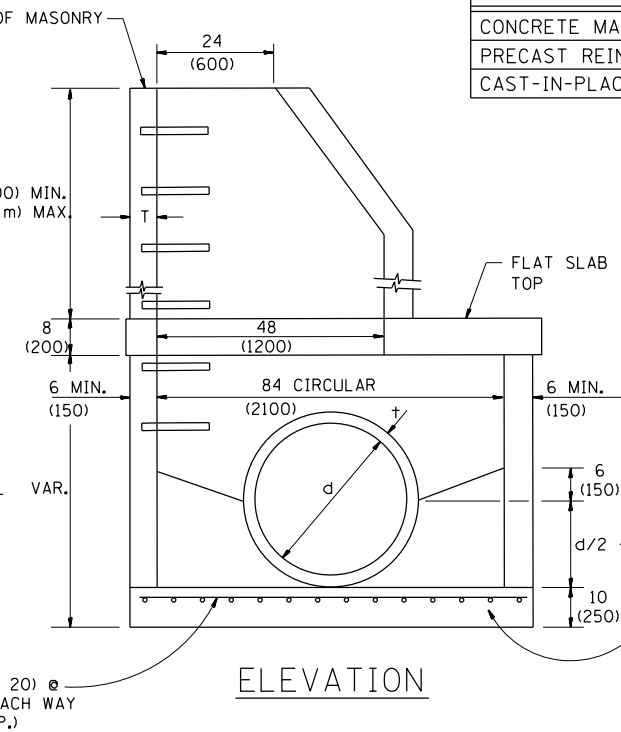


ALTERNATE MATERIALS FOR RISERS	T (MIN.)
CONCRETE MASONRY UNITS	5 (125)
PRECAST REINFORCED CONCRETE SECTIONS	4 (100)
CAST-IN-PLACE CONCRETE	6 (150)

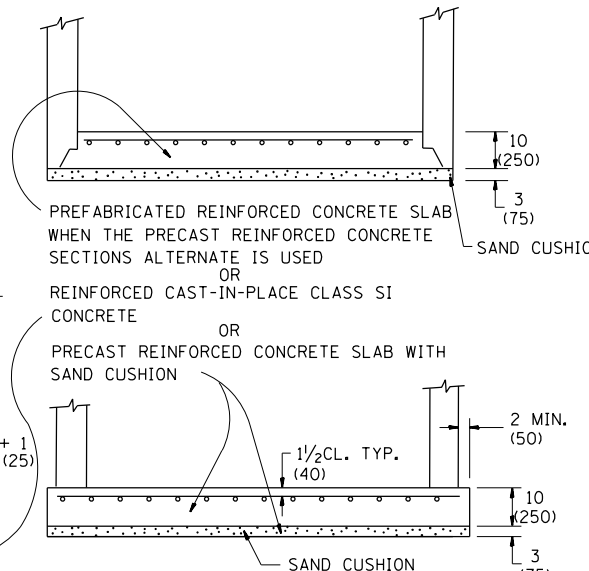


ELEVATION

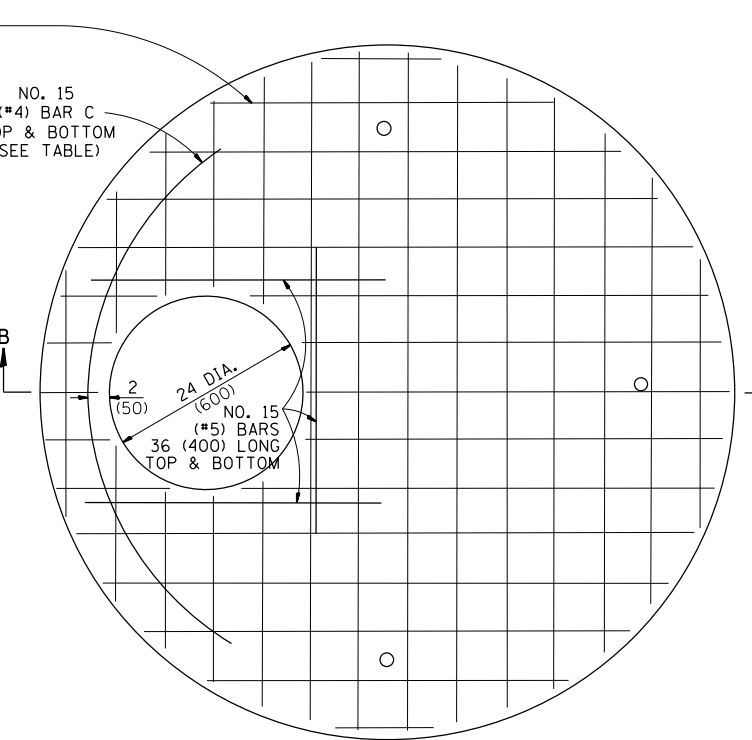
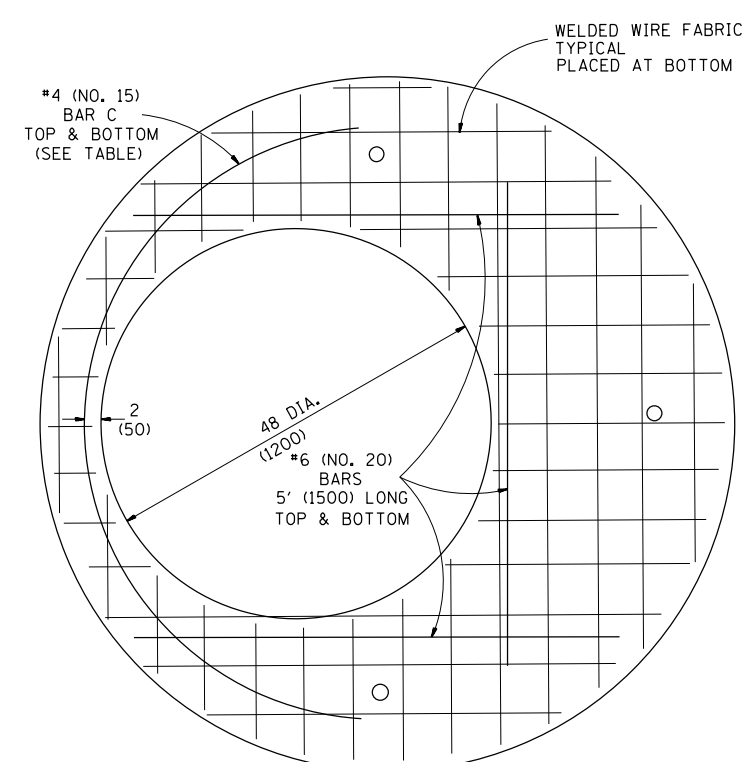
#6 (NO. 20) @ 6 (150) EACH WAY (TYP.)



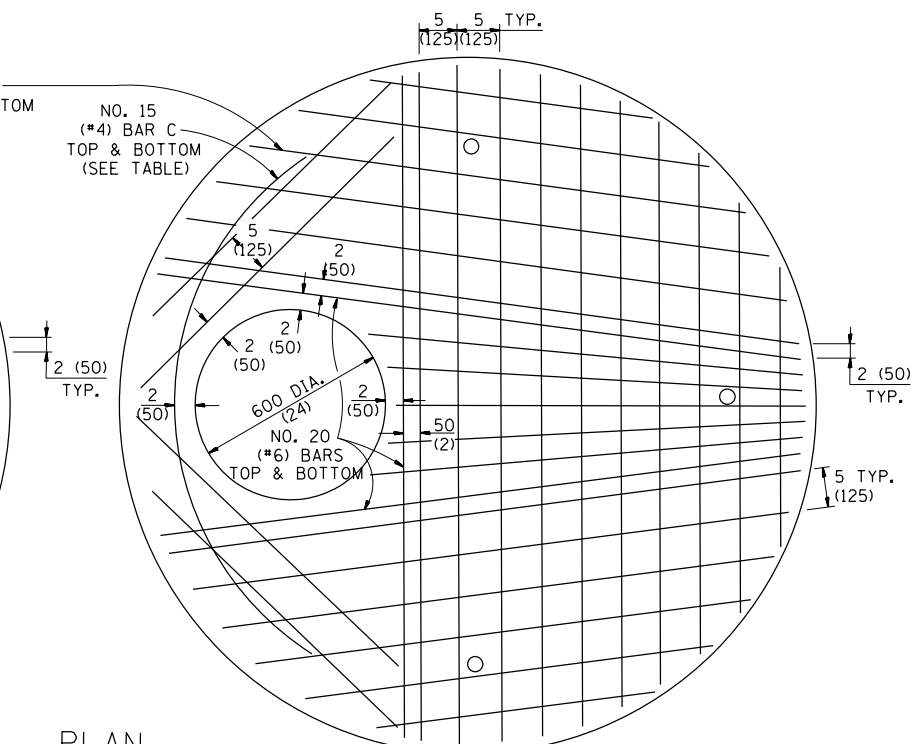
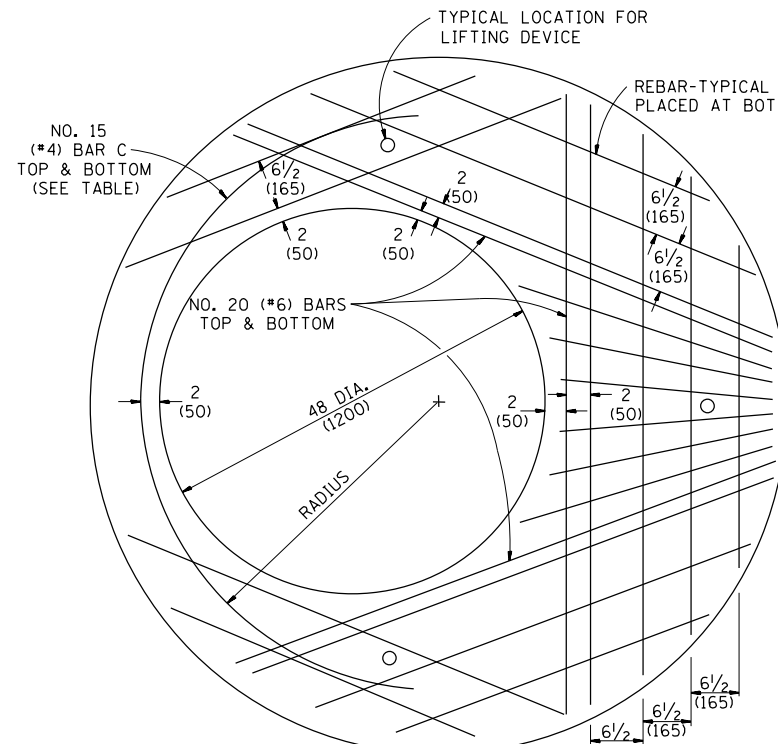
ELEVATION



PRECAST REINFORCED CONCRETE SLAB WHEN THE PRECAST REINFORCED CONCRETE SECTIONS ALTERNATE IS USED OR REINFORCED CAST-IN-PLACE CLASS SI CONCRETE OR PRECAST REINFORCED CONCRETE SLAB WITH SAND CUSHION



PLAN SHOWING WELDED WIRE FABRIC REINFORCEMENT

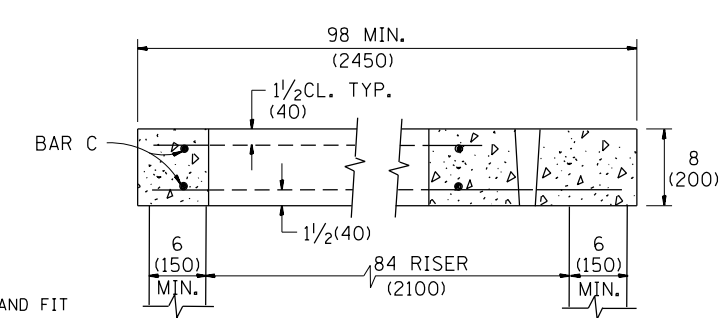


PLAN SHOWING REBAR REINFORCEMENT

DIAMETER OF OPENING	REINFORCEMENT "AS" WWF OR BAR EACH DIRECTION	BAR SIZE	BAR C		
			SIZE	LENGTH	RADIUS
24 (600)	1.06 SQ.IN./LIN.FT. (2244 SQ.mm/m)	#6 (NO.20)	#4 (NO.15)	72 (1800)	38 (950)
48 (1200)	1736 SQ.mm/m (0.82 SQ.IN./LIN.FT.)	#6 (NO.20)	#4 (NO.15)	108 (2700)	38 (950)

GENERAL NOTES

SEE STANDARD 2447 FOR DETAILS OF CAST IRON STEPS. JOINT CONFIGURATION AND DIMENSIONS OF FLAT SLAB TOP SHALL MATCH AND FIT THE RISER JOINT DETAIL. LIFTING DEVICES SHALL BE APPROVED BY THE ENGINEER.



SECTION B-B

ALL DIMENSIONS ARE IN INCHES (MILLIMETERS) UNLESS OTHERWISE SHOWN.