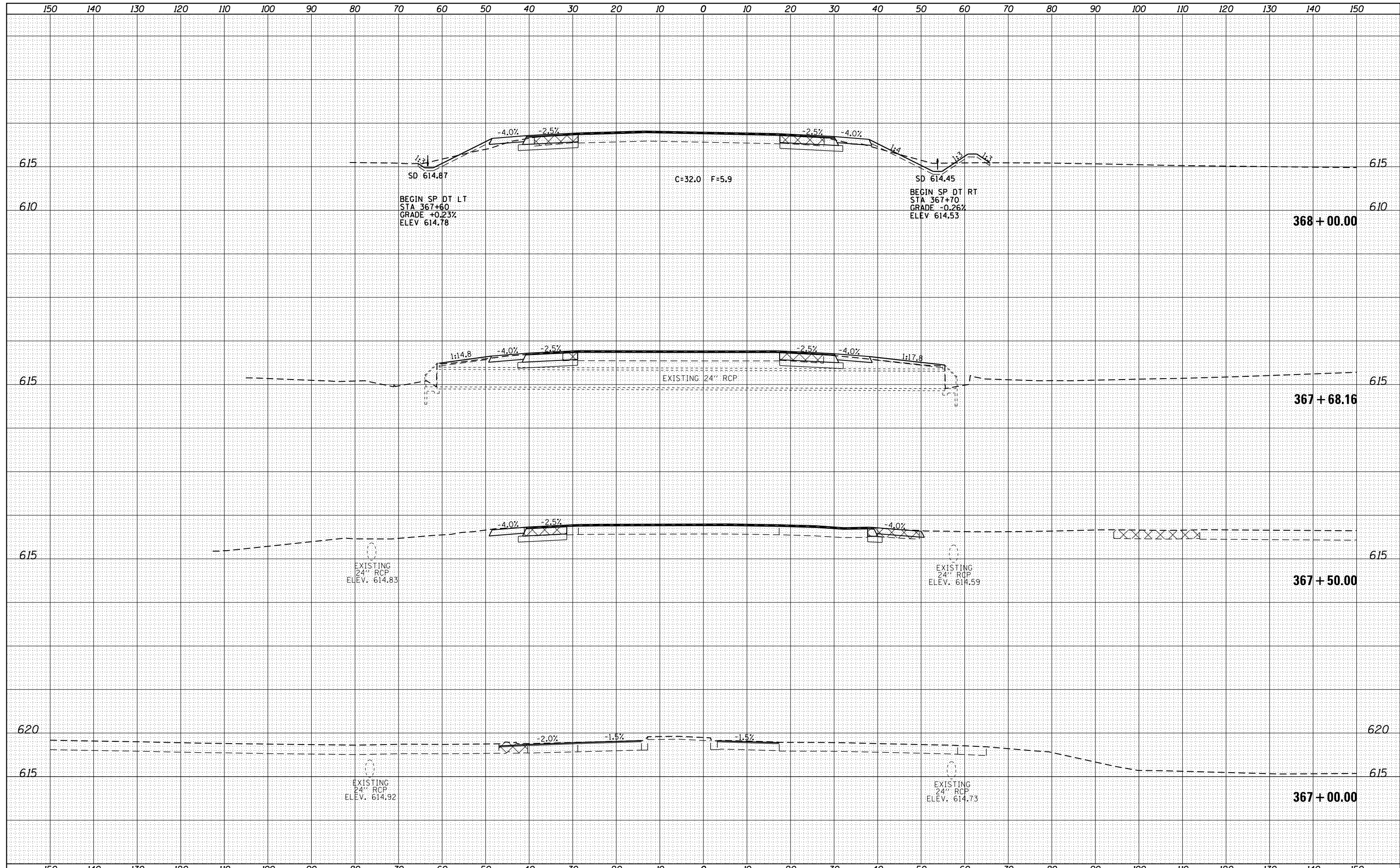


DATE	
BY	
ORIGINAL SURVEY	
SURVEYED	
PLOTTED	
TEMPLATE	
AREAS	
CHECKED	
NO.	

DATE	
BY	
ORIGINAL SURVEY	
SURVEYED	
PLOTTED	
TEMPLATE	
AREAS	
CHECKED	
NO.	



FILE NAME =	USER NAME = sparksgw	DESIGNED - AWM	REVISED -	<b>STATE OF ILLINOIS</b> <b>DEPARTMENT OF TRANSPORTATION</b>	<b>WABASH AVENUE</b> <b>CROSS SECTIONS</b>	F.A.U. R.T.E.	SECTION	COUNTY	TOTAL SHEETS	SHEET NO.
es:\pw\work\p\dot\sparksgw\ad0373645\0672890-sh\ts\ssht-Wabash.dgn	DRAWN - TJD	REVISED -	8012			21(W-3, TS-1, RS-7)	SANGAMON	679	490	
Default	PLOT SCALE = 20.0000' / in.	CHECKED - AWM	REVISED -			CONTRACT NO. 72890		ILLINOIS FED. AID PROJECT		
	PLOT DATE = Feb-04-2014 01:50:19PM	DATE - 12/04/2013	REVISED -			SCALE: 1"=10'H, 5'V	SHEET 20 OF 124 SHEETS	STA. 367+00.00 TO STA. 368+00.00		