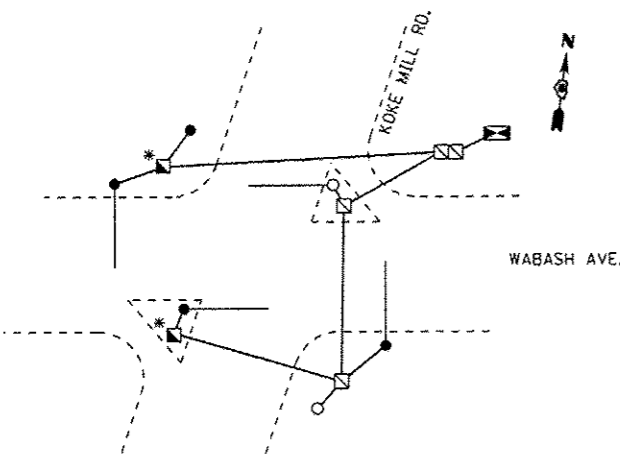
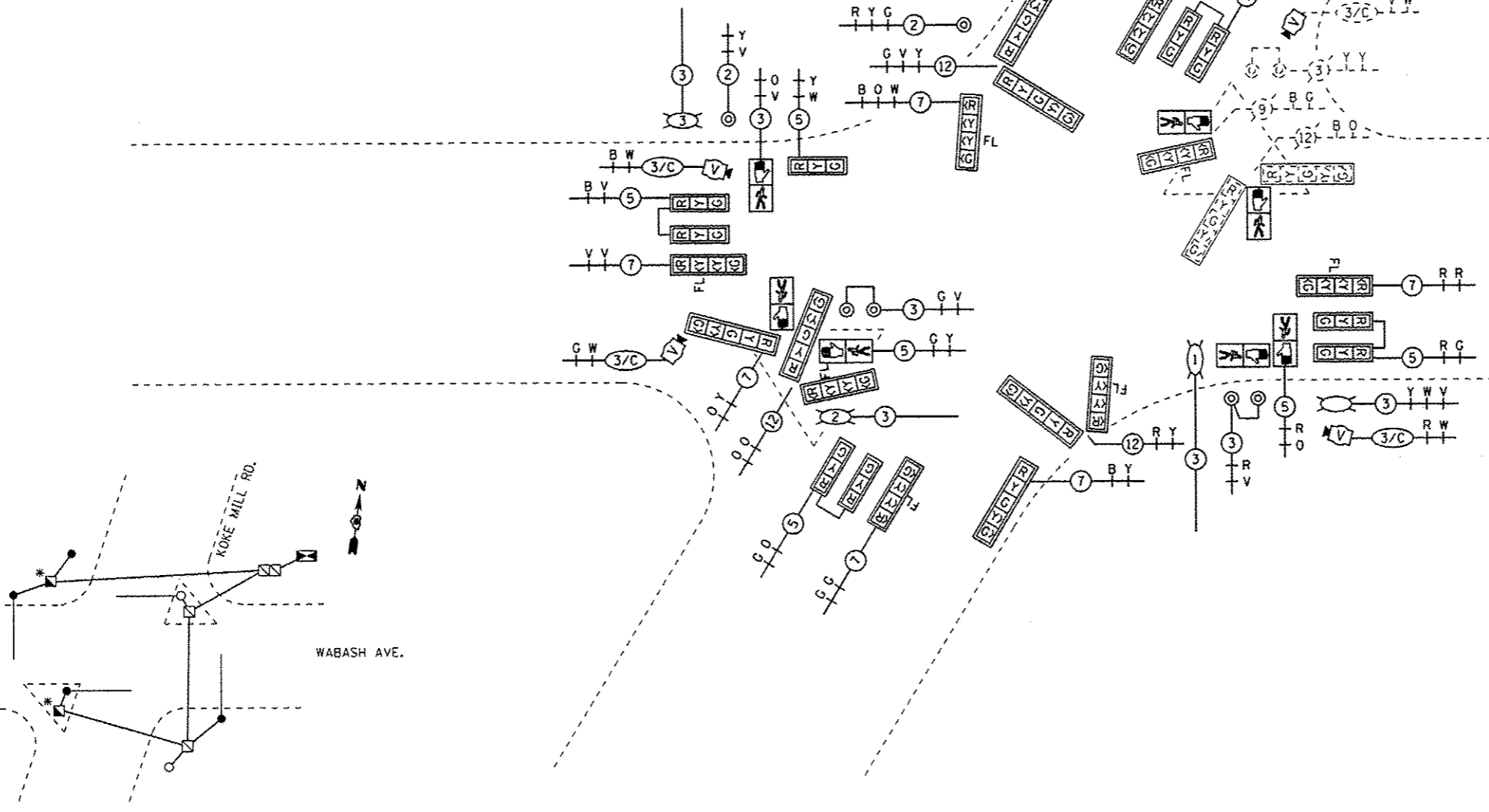
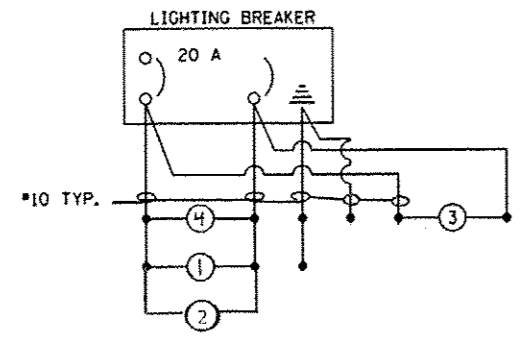
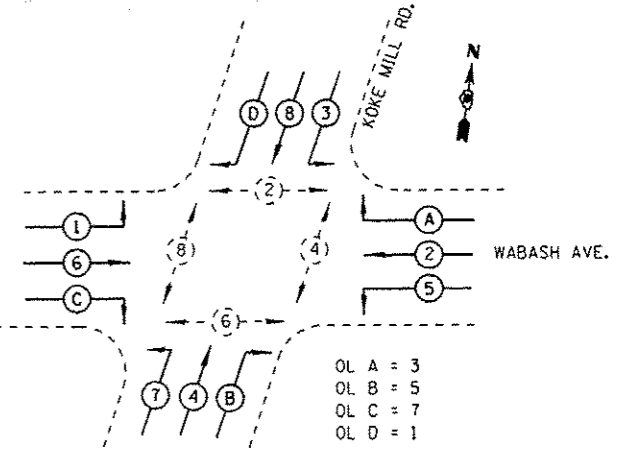


PROPOSED CONTROLLER



GROUNDING SCHEMATIC
* GROUNDING CABLE SPLICED BUT NOT BONDED TO COMPOSITE CONCRETE HANDHOLE



PHASE DESIGNATION DIAGRAM

- OL A = 3
- OL B = 5
- OL C = 7
- OL D = 1

REV
NOT TO SCALE

USER NAME = sparksgv DESIGNED - DRAWN - BDM CHECKED - JSA DATE - 7/15/09		REVISED - WCD 10/17/2013 REVISED - REVISED - REVISED -		STATE OF ILLINOIS DEPARTMENT OF TRANSPORTATION		PROPOSED CABLE PLAN WABASH AVE. & KOKE MILL RD.		F.A.U. RTE. 8012 SECTION 21(W-3, TS-1, RS-7) COUNTY SANGAMON TOTAL SHEETS 679 SHEET NO. 365 CONTRACT NO. T2890 ILLINOIS FED. AID PROJECT	
PLOT SCALE = 40,0000 1/4" = 100' PLOT DATE = Feb-04-2014 01:45:58PM		DATE - 7/15/09		SCALE:		SHEET NO. 30 OF 37 SHEETS		STA. TO STA.	