

THOUVENOT, WADE & MOERCHEN, INC.
ENGINEERS • SURVEYORS • PLANNERS



CORPORATE OFFICE
4940 OLD COLLINSVILLE RD.
SWANSEA, ILLINOIS 62228
TEL (618) 624-4488
FAX (618) 624-6688
corp@twm-inc.com

WATERLOO OFFICE
113 SOUTH MAIN STREET
WATERLOO, ILLINOIS 62298
TEL (618) 939-5050
FAX (618) 939-3938
waterloo@twm-inc.com

EDWARDSVILLE OFFICE
1015B CENTURY DRIVE
EDWARDSVILLE, ILLINOIS 62025
TEL (618) 656-4040
FAX (618) 656-4343
edwardsville@twm-inc.com

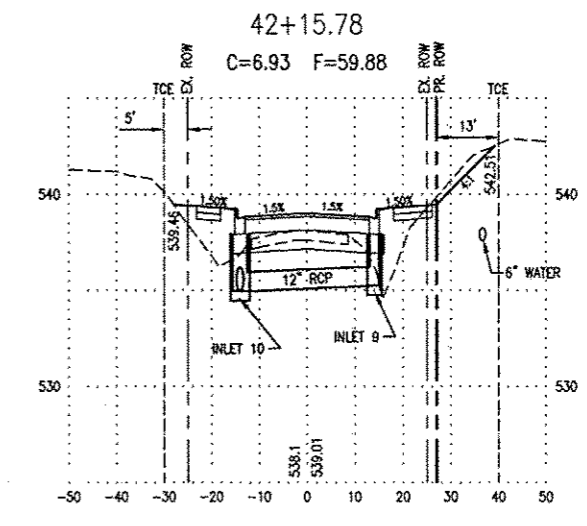
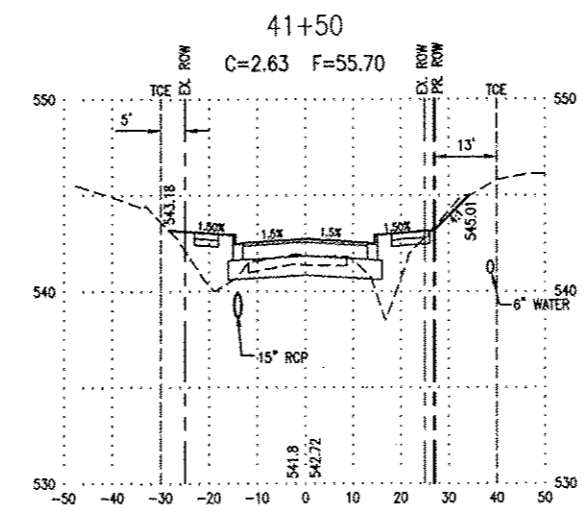
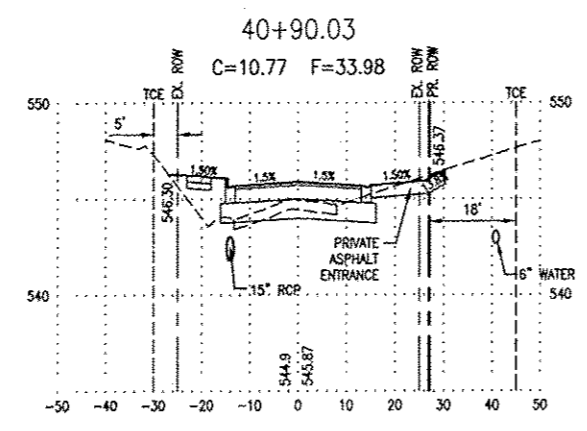
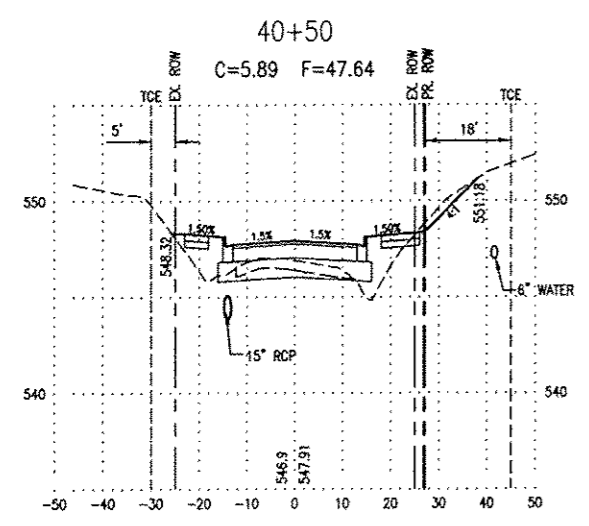
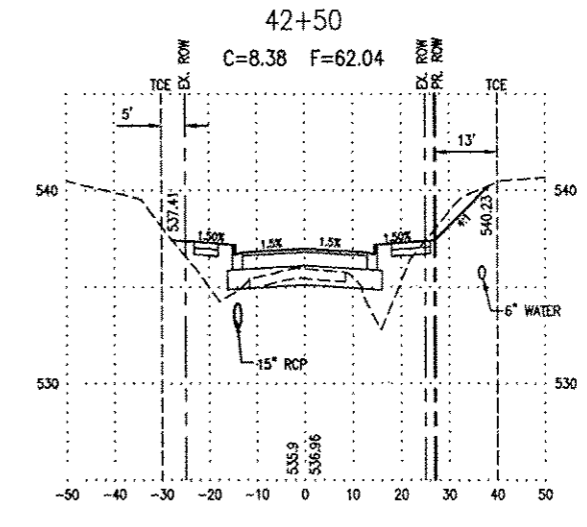
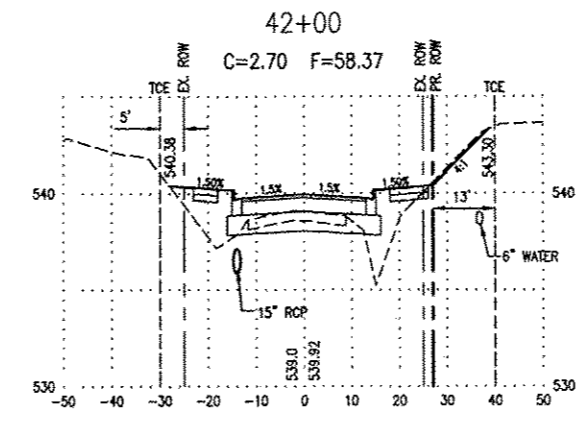
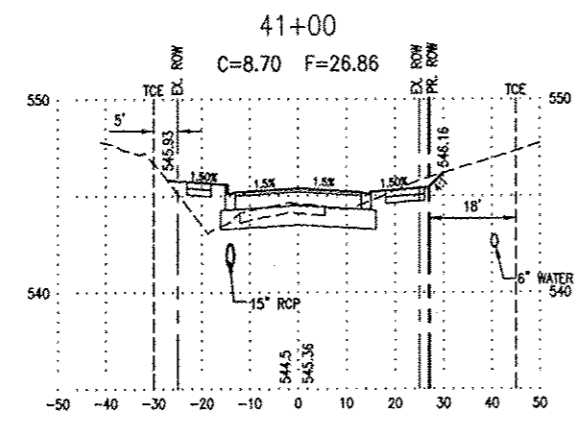
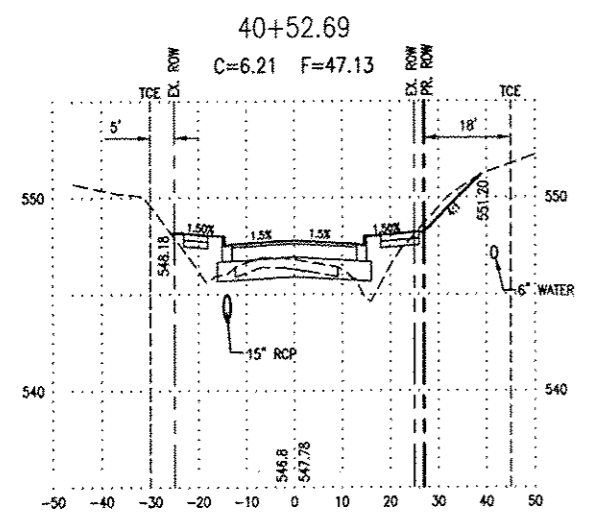
ST. CHARLES OFFICE
400 N. 5TH STREET, SUITE 101
ST. CHARLES, MISSOURI 63301
TEL (636) 724-8300
FAX (636) 724-8304
stlouis@twm-inc.com

PROFESSIONAL REGISTRATIONS	LICENSE NO.
ILLINOIS PROFESSIONAL DESIGN FIRM	164-001220
PROFESSIONAL ENGINEERING CORP.	62-003370
PROFESSIONAL STRUCTURAL ENGR. CORP.	81-005202
ILLINOIS PROF. LAND SURVEYING CORP.	048-000029
MISSOURI PROFESSIONAL ENGR. CORP.	NC 001528
MISSOURI LAND SURVEYING CORP.	NC 000346

SEAL

Signature: _____
Signature Date: _____
Expiration Date: _____

STATEMENT OF RESPONSIBILITY
I hereby confirm that the document herein to be authenticated by my seal is restricted to this sheet, and I hereby disclaim any responsibility for all other drawings, specifications, estimates, reports or other documents or instruments relating to or intended to be utilized for any other part of the architectural, engineering or survey project.



SCALE
1:4 VERTICAL
1:20 HORIZONTAL

NOTES:
1. ALL STORM SEWER SHOWN IS PROPOSED
2. ALL OTHER UTILITIES SHOWN ARE EXISTING

TITLE: **SHILOH STATION ROAD PHASE 3 CROSS SECTIONS 12-0001-03-PV**

PROJECT: **SHILOH STATION ROAD RECONSTRUCTION VILLAGE OF SHILOH ST. CLAIR COUNTY, ILLINOIS**

REV	DATE	DESCRIPTION

DRAWN BY: NTS	SHEET
DESIGNED BY: NTS	21
CHECKED BY:	OF 23 SHEETS
APPROVED BY:	PROJECT DESCRIPTION
PROJECT NUMBER: T01100602	
<input checked="" type="checkbox"/> ISSUED FOR REVIEW	<input type="checkbox"/> ISSUED FOR BIDDING
<input type="checkbox"/> ISSUED FOR CONSTR.	<input type="checkbox"/> RECORD DRAWING

P:\100602\4-CAD\DWG\4-2-11\Drawings\Phase 3 - Plan and Profiles, Detour, Drainage, Erosion, Marking and Signage, Wierping.dwg