

FAU ROUTE	IDOT SECTION	COUNTY	TOTAL SHEETS	SHEET NO.
9178	12-00011-03-PV	ST. CLAIR	23	1
FEDERAL AID PROJECT			ILLINOIS	
IDOT JOB NO. C-98-353-12				
IDOT CONTRACT NO. 97541				

1. COVER SHEET
2. GENERAL NOTES
3. SUMMARY OF QUANTITIES
- 4.-6. SCHEDULE OF QUANTITIES
7. TYPICAL SECTIONS
- 8.-9. ROADWAY PLAN & PROFILE SHEET
10. DETOUR PLANS
- 11.-12. DRAINAGE PLAN & EAST PROFILE
- 13.-14. DRAINAGE PLAN & WEST PROFILE
15. EROSION CONTROL PLAN
16. PAVEMENT MARKING & SIGNAGE PLAN
- 17.-18. INTERSECTION AND MISCELLANEOUS DETAILS
- 19.-23. CROSS SECTIONS

IDOT STANDARDS (ATTACHED AFTER PLANS)

000001-06	602701-02	701501-06	780001-04
001001-02	604011-04	701801-05	781001-03
001006	604036-02	701901-03	BLR 22-7
280001-07	606001-05	720001-01	
424001-07	606006-02	720006-04	
424016-01	701006-05	720011-01	
424026-01	701011-04	728001-01	
601001-04	701301-04	731001-01	
602301-04	701311-03		
602401-03			

UTILITIES

GAS/ELECTRIC

AMEREN IP
1050 WEST BOULEVARD
P.O. BOX 428
BELLEVILLE, ILLINOIS 62222

WATER

ILLINOIS AMERICAN WATER COMPANY
100 NORTH WATER WORKS DRIVE
P.O. BOX 24040
BELLEVILLE, ILLINOIS 62223

PHONE/CABLE

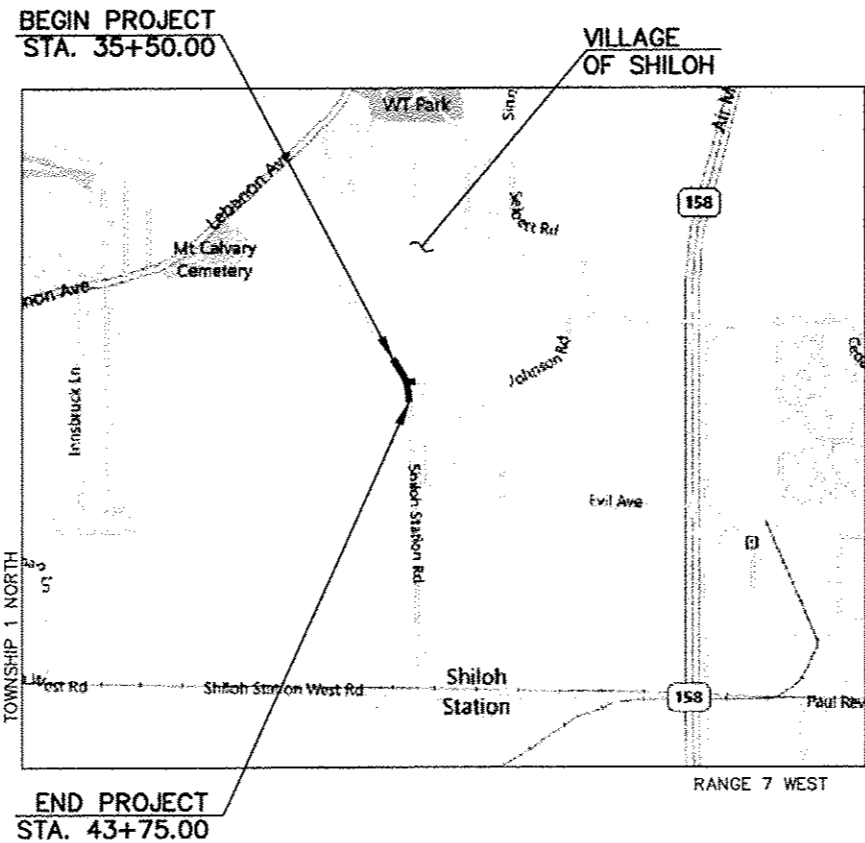
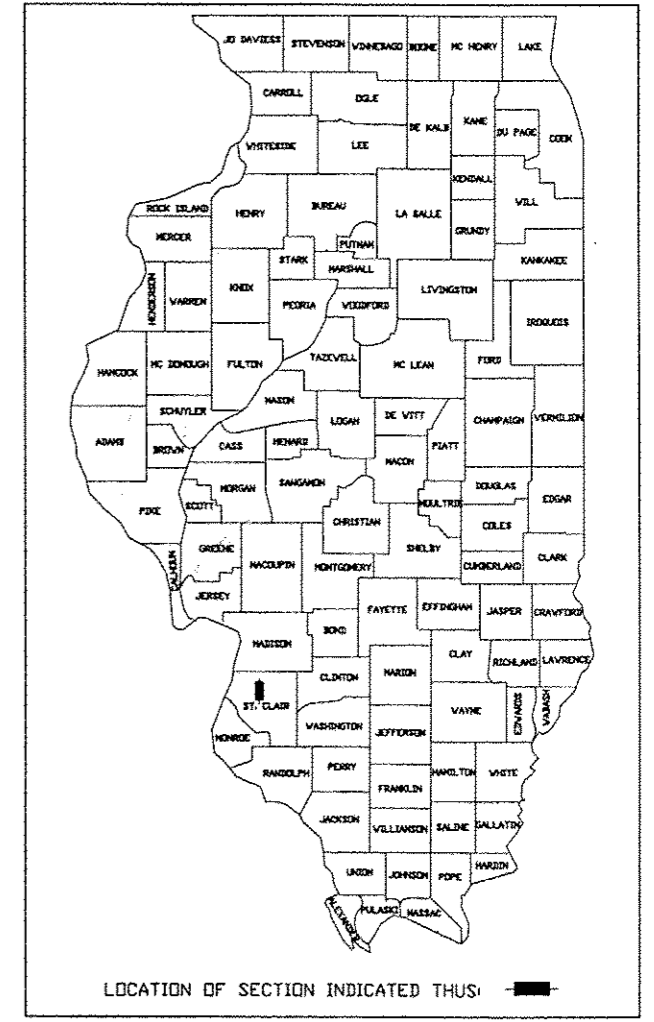
AT&T
203 GOETHE
COLLINSVILLE, ILLINOIS 62234

SANITARY SEWER

VILLAGE OF SHILOH
#1 PARK DRIVE
SHILOH, ILLINOIS 62269

PHONE/CABLE

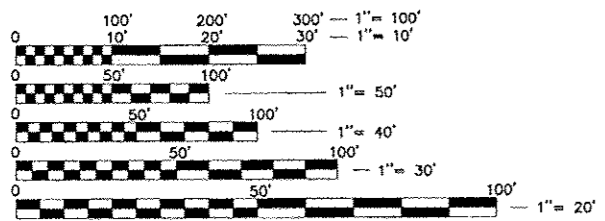
CHARTER COMMUNICATIONS
7645 MAGNA DRIVE, STE. 100
BELLEVILLE, IL 62223



LOCATION MAP
N.T.S.

SHILOH STATION ROAD DESIGN DESIGNATION:
ROADWAY CLASSIFICATION - COLLECTOR
URBAN DESIGN SPEED - 30 MPH
DESIGN TRAFFIC (2031) ADT - 2,150

LENGTH OF PROJECT
SHILOH STATION ROAD PHASE 3
SHILOH STATION ROAD LENGTH - 825' (0.16 MILES)
JOHNSON RD. LENGTH - 123' (0.02 MILES)
NET LENGTH - 948' (0.18 MILES)



FULL SIZE PLANS HAVE BEEN PREPARED USING STANDARD ENGINEERING SCALES. REDUCED SIZED PLANS WILL NOT CONFORM TO STANDARD SCALES, IN MAKING MEASUREMENTS ON REDUCED PLANS, THE ABOVE SCALES MAY BE USED.

J.U.L.I.E.
JOINT UTILITY LOCATION INFORMATION FOR EXCAVATION
1-800-892-0123



STATE OF ILLINOIS
DEPARTMENT OF TRANSPORTATION
DIVISION OF HIGHWAYS

APPROVED November 18 2013
Jama R. Waters
MAYOR
VILLAGE OF SHILOH

PASSED 2-6 2014
[Signature]
DISTRICT 8 ENGINEER
LOCAL ROADS & STREETS

RELEASED FOR BID BASED ON LIMITED REVIEW 2-6 2014
[Signature]
DEPUTY DIRECTOR OF HIGHWAYS
REGION FIVE ENGINEER

PRINTED BY THE AUTHORITY OF THE STATE OF ILLINOIS
NICHOLAS T. SMOCK
LICENSE NO. 062-062231
11/18/13
EXPIRATION DATE
11-30-2015

PREPARED BY:
TWM
THOUVENOT, WADE & MOERCHEN, INC.

GENERAL NOTES

1. ANY FACILITIES OR APPURTENANCES, WHICH ARE THE PROPERTY OF ANY PUBLIC UTILITY LOCATED WITHIN THE LIMITS OF CONSTRUCTION, SHALL BE RELOCATED OR ADJUSTED BY THEIR RESPECTIVE OWNERS. THE CONTRACTOR SHALL NOTIFY AND COOPERATE WITH THE OWNERS OF ANY SUCH FACILITY IN THEIR REMOVAL AND ADJUST HIS OPERATIONS, IN ORDER THAT, THE UTILITY'S OPERATIONS AND THE CONSTRUCTION OF THIS PROJECT MAY PROGRESS IN A REASONABLE MANNER.
2. THE TYPE, SIZE, AND LOCATION OF UTILITIES, AS DELINEATED IN THESE TOPOGRAPHIC LAND SURVEY DOCUMENTS AND/OR CIVIL ENGINEERING DESIGN DOCUMENTS, HAVE BEEN DETERMINED BY REVIEW OF AVAILABLE EXISTING "AS-BUILT" OR RECORD DRAWINGS, FIELD SURVEY OF J.U.L.I.E. MARKED UTILITIES, OR FIELD SURVEY OF ABOVE GROUND SURFACE UTILITY FEATURES. THE OWNER AND ENGINEER HAVE NOT UNDERTAKEN SUBSURFACE EXPLORATORY INVESTIGATIONS TO CONFIRM OR VERIFY THE UTILITIES SHOWN ON THESE DOCUMENTS; THEREFORE THEIR EXACT LOCATION, SIZE, AND FUNCTION MUST BE CONSIDERED APPROXIMATE AND MUST BE FIELD CONFIRMED BY THE CONTRACTOR.
3. THE ENGINEER AND OWNER FURTHER DO NOT WARRANT THAT ALL UTILITIES HAVE BEEN ILLUSTRATED ON THESE DOCUMENTS. THE CONTRACTOR IS SOLELY RESPONSIBLE FOR CONTACTING J.U.L.I.E. FOR FIELD VERIFICATION OF ALL UTILITIES ON THE SITE PRIOR TO COMMENCEMENT OF CONSTRUCTION. IF THE CONTRACTOR DETERMINES THAT SUBSTANTIAL DISCREPANCY EXISTS BETWEEN FIELD VERIFIED UTILITIES AND THESE PLANS, WHICH WOULD SIGNIFICANTLY AFFECT THE FUNCTION, COST, OR PERFORMANCE OF THE PROJECT, THE CONTRACTOR SHALL IMMEDIATELY CONTACT THE ENGINEER FOR CLARIFICATION AND PROJECT DIRECTION.
4. THE CONTRACTOR SHALL CONFINE HIS OPERATIONS TO THE AREA LOCATED WITHIN THE TEMPORARY CONSTRUCTION EASEMENTS, AS SHOWN ON THE PLANS. ANY AREA DISTURBED BEYOND THESE LIMITS SHALL BE RESTORED TO ITS ORIGINAL CONDITION AT THE CONTRACTOR'S EXPENSE.
5. ALL EXISTING ROADWAY FEATURES, SUCH AS CULVERTS, HEADWALLS, RIP RAP, CURB, PAVEMENT, FENCING, ETC., LOCATED WITHIN THE CONSTRUCTION LIMITS ARE TO BE REMOVED UNLESS NOTED OTHERWISE ON THE PLANS.
6. EVERY TREE SHALL BE SAVED, IF POSSIBLE. THE ENGINEER IN THE FIELD WILL VERIFY AND MARK ALL TREES REQUIRED TO BE REMOVED. SHOULD THE ENGINEER'S DECISION INCREASE OR DECREASE THE QUANTITIES OF WORK TO BE PERFORMED FROM THE PLANS, THE CONTRACTOR SHALL ACCEPT PAYMENT AS STATED IN ARTICLE 104.03 OF THE STANDARD SPECIFICATIONS. TREES OUTSIDE THE LIMITS OF CONSTRUCTION SHALL NOT BE DISTURBED UNLESS DESIGNATED BY THE ENGINEER.
7. THE SAW CUTTING OF EXISTING PAVEMENT, NECESSARY FOR ITS REMOVAL, SHALL BE INCLUDED IN THE COST OF THE ITEM FOR WHICH THE SAW CUT IS BEING MADE. THE REMOVAL OF ALL OIL & CHIP PAVEMENT SHALL BE INCLUDED IN THE EARTH EXCAVATION QUANTITY. SEE SPECIAL PROVISIONS FOR ADDITIONAL INFORMATION.
8. ALL TEMPORARY AND PERMANENT EROSION CONTROL DEVICES SHALL BE IMPLEMENTED AS SHOWN ON THE EROSION CONTROL PLAN. IT IS THE CONTRACTOR'S RESPONSIBILITY TO INSURE THAT ALL EROSION AND DISPLACED SEDIMENT DOES NOT MIGRATE OFF SITE. IF UNEXPECTED EROSION OR SEDIMENTATION OCCURS, OR IF THE EROSION PLAN STRUCTURES BECOME DAMAGED, THE CONTRACTOR SHALL PROVIDE SUFFICIENT MEASURES TO REPAIR, REPLACE, OR INSTALL EROSION CONTROL STRUCTURES TO INSURE OFF-SITE DAMAGE DOES NOT OCCUR. ANY SEDIMENT OR EROSION DAMAGE WHICH OCCURS OFF-SITE SHALL BE REPAIRED BY THE CONTRACTOR AT HIS/HER EXPENSE.
9. ALL EARTH SURFACES DISTURBED BY CONSTRUCTION, OR AS DIRECTED BY THE ENGINEER, SHALL BE SEEDED AND MULCHED ACCORDING TO SECTIONS 250 AND 251 OF THE STANDARD SPECIFICATIONS FOR ROAD AND BRIDGE CONSTRUCTION. ALL TEMPORARY EROSION CONTROL SEEDING SHALL BE IMPLEMENTED ACCORDING TO SECTION 280 OF THE STANDARD SPECIFICATIONS FOR ROAD AND BRIDGE CONSTRUCTION. COST BEYOND CONSTRUCTION LIMITS IS THE RESPONSIBILITY OF CONTRACTOR.

10. ANY CULVERTS DAMAGED BY OR REMOVED BY THE CONTRACTOR, OTHER THAN THOSE NOTED ON THE PLANS TO BE REMOVED, WILL HAVE TO BE REMOVED AND/OR REPLACED AT THE CONTRACTOR'S SOLE EXPENSE.
11. ALL MATERIALS, SUCH AS FRAMES AND GRATES AND STORM SEWER PIPE SCHEDULED FOR REMOVAL, THAT ARE CONSIDERED TO BE SUITABLE FOR FUTURE USE, SHALL BE SALVAGED AND STOCKPILED AS DIRECTED BY THE ENGINEER. ALL OTHER MATERIALS SCHEDULED FOR REMOVAL BUT NOT SALVAGED, SHALL BE DISPOSED OF BY THE CONTRACTOR AT HIS/HER EXPENSE.
12. THE CONTRACTOR IS ADVISED THAT THE PROPOSED STORM SEWER ROADWAY CROSSINGS MAY CONFLICT WITH THE PROPOSED LIME STABILIZATION OPERATIONS DUE TO MINIMAL COVER OVER THE PIPES. THE CONTRACTOR SHALL EXERCISE EXTREME CAUTION IN THESE AREAS SO AS NOT TO CAUSE ANY DAMAGE TO THE PROPOSED STORM SEWERS. THIS MAY NECESSITATE VARYING THE METHODS OF LIME STABILIZATION. NO DIRECT PAYMENT SHALL BE MADE FOR THESE ACCOMMODATIONS.
13. ALL TRAFFIC CONTROL, INCLUDING, BUT NOT LIMITED TO WORK ZONE, TEMPORARY, AND PERMANENT, SHALL BE FURNISHED, INSTALLED, MAINTAINED, RELOCATED, AND/OR REMOVED ACCORDING TO SECTION 701 OF THE LATEST EDITION OF THE IDOT STANDARD SPECIFICATIONS FOR ROAD AND BRIDGE CONSTRUCTION AND THE LATEST EDITION OF THE MANUAL ON UNIFORM TRAFFIC CONTROL DEVICES.
14. TRAFFIC CONTROL SIGNS SHALL BE 48" FLUORESCENT ORANGE.
15. THE CONTRACTOR IS RESPONSIBLE FOR CONTACTING THE VILLAGE OF SHILOH AT LEAST FORTY-EIGHT (48) HOURS IN ADVANCE PRIOR TO COMMENCEMENT OF ANY CONSTRUCTION ACTIVITIES OR WORK REQUIRING INSPECTION OR APPROVAL BY THE AFFECTED UNITS OF GOVERNMENT.
16. IT IS NOT WARRANTED THAT THESE PLANS CONTAIN COMPLETE INFORMATION REGARDING EASEMENTS, RESERVATIONS, RESTRICTIONS, RIGHTS-OF-WAY, BUILDING LINE SETBACKS, AND OTHER ENCUMBRANCES. FOR COMPLETE INFORMATION, A TITLE OPINION OR COMMITMENT FOR TITLE INSURANCE SHOULD BE OBTAINED AND THOROUGHLY REVIEWED.
17. PRIOR TO CONSTRUCTING ANY ENTRANCE, THE PROPERTY OWNER WILL BE NOTIFIED IN WRITING, INFORMING THEM OF CONSTRUCTION AND THE ESTIMATED DATES CONSTRUCTION WILL TAKE PLACE.
18. ALL GRADING, EXCAVATION AND FILL, NECESSARY TO SATISFY THE ADDITIONAL DRIVEWAY LENGTHS SHALL BE INCLUDED IN COST OF DRIVEWAY PLACEMENT TYPE. NO ADDITIONAL COST WILL BE ALLOWED.
19. ANY SUBSURFACE UTILITY WITHIN THE CONSTRUCTION LIMITS IS TO BE VERIFIED FOR ACTIVITY AND ALL ABANDONED UTILITIES ARE TO BE REMOVED. COST IS INCLUDED IN THE COST OF EARTH EXCAVATION.
20. IF ASH TREES ARE REMOVED ON THE PROJECT, THE CONTRACTOR SHALL BECOME FAMILIAR AND COMPLY WITH MEASURES SPECIFIED BY THE ILLINOIS DEPARTMENT OF AGRICULTURE (IDOA) TO PREVENT THE SPREAD OF THE EMERALD ASH BORER. THE IDOA INFORMATION FOR ASH TREE REMOVAL CAN BE FOUND ON THE IDOA WEBSITE AT WWW.AGR.STATE.IL.US/EAB.

COMMITMENTS

1. DUE TO POTENTIAL SUITABLE HABITAT FOR THE INDIANA BAT WITHIN THE PROJECT CORRIDOR, NO TREES ARE TO BE REMOVED BETWEEN APRIL 1ST AND SEPTEMBER 30TH OF ANY YEAR
2. AS PART OF THE NEGOTIATED AGREEMENT WITH THE PROPERTY OWNERS, GREGORY HEET AND BARBARA HEET, THE FOLLOWING COMMITMENT HAS BEEN MADE BY THE VILLAGE OF SHILOH:
 - A. THE SHUBBERY LOCATED AT STATION 41+19, 31' RT OF THE CENTERLINE SHALL NOT BE REMOVED WITH THE PROJECT. ANY DAMAGE SHALL BE REPAIRED AT THE EXPENSE OF THE CONTRACTOR.
 - B. THE TREE LOCATED AT STATION 41+30, 32' RT OF THE CENTERLINE SHALL NOT BE REMOVED WITH THE PROJECT. ANY DAMAGE SHALL BE REPAIRED AT THE EXPENSE OF THE CONTRACTOR.
 - C. THE ACCESS GATE, MASONRY GATE POSTS AND SWING-STOP POSTS ALL LOCATED AT STATION 40+90.06 RT SHALL NOT BE DISTURBED. ANY DAMAGE SHALL BE REPAIRED AT THE EXPENSE OF THE CONTRACTOR.

THOUVENOT,
WADE &
MOERCHEN, INC.
ENGINEERS • SURVEYORS • PLANNERS



CORPORATE OFFICE
4940 OLD COLLINSVILLE RD.
SWANSEA, ILLINOIS 62226
TEL (618) 624-4488
FAX (618) 624-6688
corp@twm-inc.com

WATERLOO OFFICE
113 SOUTH MAIN STREET
WATERLOO, ILLINOIS 62298
TEL (618) 939-5050
FAX (618) 939-3938
waterloo@twm-inc.com

EDWARDSVILLE OFFICE
10158 CENTURY DRIVE
EDWARDSVILLE, ILLINOIS 62025
TEL (618) 656-4040
FAX (618) 656-4343
edwardsville@twm-inc.com

ST. LOUIS OFFICE
1001 CRAIG ROAD, SUITE 260
ST. LOUIS, MISSOURI 63146
TEL (314) 236-5052
FAX (314) 872-2194
stlouis@twm-inc.com

PROFESSIONAL REGISTRATIONS	LICENSE NO.
ILLINOIS PROFESSIONAL DESIGN FIRM	184-001200
PROFESSIONAL ENGINEERING CORP.	62-033370
PROFESSIONAL STRUCTURAL ENGR. CORP.	81-005292
ILLINOIS PROF. LAND SURVEYING CORP.	048-000209
MISSOURI PROFESSIONAL ENGR. CORP.	NC 001528
MISSOURI LAND SURVEYING CORP.	NC 000346

SEAL

Signature: _____
Signature Date: _____
Expiration Date: _____

STATEMENT OF RESPONSIBILITY

I hereby confirm that the document herein to be authenticated by my seal is restricted to this sheet, and I hereby disclaim any responsibility for all other drawings, specifications, estimates, reports or other documents or instruments relating to or intended to be utilized for any other part of the architectural, engineering or survey project.

TITLE: SHILOH STATION ROAD PHASE 3
GENERAL NOTES
12-00011-03-PV

PROJECT: SHILOH STATION ROAD
RECONSTRUCTION - PHASE 3
VILLAGE OF SHILOH
ST. CLAIR COUNTY, ILLINOIS

REV.	DATE	DESCRIPTION
△		
△		
△		

DRAWN BY:	NTS	SHEET
DESIGNED BY:	NTS	2
CHECKED BY:		OF 23 SHEETS
APPROVED BY:		PROJECT DESCRIPTION
PROJECT NUMBER	T01100602	
<input checked="" type="checkbox"/> ISSUED FOR REVIEW	<input type="checkbox"/> ISSUED FOR BIDDING	
<input type="checkbox"/> ISSUED FOR CONSTR.	<input type="checkbox"/> RECORD DRAWING	

**THOUVENOT,
WADE &
MOERCHEN, INC.**
ENGINEERS ♦ SURVEYORS ♦ PLANNERS



CORPORATE OFFICE
4940 OLD COLLINSVILLE RD.
SWANSEA, ILLINOIS 62226
TEL (618) 624-4488
FAX (618) 624-6688
corp@twm-inc.com

WATERLOO OFFICE
113 SOUTH MAIN STREET
WATERLOO, ILLINOIS 62296
TEL (618) 939-5050
FAX (618) 939-3938
waterloo@twm-inc.com

EDWARDSVILLE OFFICE
1015B CENTURY DRIVE
EDWARDSVILLE, ILLINOIS 62025
TEL (618) 656-4040
FAX (618) 656-4343
edwardsville@twm-inc.com

ST. LOUIS OFFICE
1001 CRAIG ROAD, SUITE 260
ST. LOUIS, MISSOURI 63146
TEL (314) 236-5052
FAX (314) 872-2194
stlouis@twm-inc.com

PROFESSIONAL REGISTRATIONS	LICENSE NO.
ALPHOS PROFESSIONAL DESIGN FIRM	184-001250
PROFESSIONAL ENGINEERING CORP.	82-055710
PROFESSIONAL STRUCTURAL ENGR. CORP.	81-052002
ALPHOS PROF. LAND SURVEYING CORP.	048-000018
MISSOURI PROFESSIONAL ENGR. CORP.	MC 001528
MISSOURI LAND SURVEYING CORP.	MC 000346

SEAL

Signature: _____
Signature Date: _____
Expiration Date: _____

STATEMENT OF RESPONSIBILITY
I hereby confirm that the documents herein to be authenticated by my seal is restricted to this sheet, and I hereby disclaim any responsibility for all other drawings, specifications, estimates, reports or other documents or instruments relating to or intended to be utilized for any other part of the architectural, engineering or survey project.

TITLE SHILOH STATION ROAD PHASE 3
SUMMARY OF QUANTITIES
12-0001-03-PV

PROJECT SHILOH STATION ROAD
RECONSTRUCTION - PHASE 3
VILLAGE OF SHILOH
ST. CLAIR COUNTY, ILLINOIS

REV#	DATE	DESCRIPTION
△		
△		
△		

DRAWN BY:	NTS	SHEET
DESCRIBED BY:	NTS	3
CHECKED BY:		OF 23 SHEETS
APPROVED BY:		PROJECT DESCRIPTION
PROJECT NUMBER	T01100602	

ISSUED FOR REVIEW ISSUED FOR BIDDING
 ISSUED FOR CONSTR. RECORD DRAWING

SUMMARY OF QUANTITIES			
Code Number	Item	Unit	Quantity
20100500	TREE REMOVAL, ACRES	ACRE	0.25
20200100	EARTH EXCAVATION	CU YD	990
20400800	FURNISHED EXCAVATION	CU YD	371
20800150	TRENCH BACKFILL	CU YD	148
25000100	SEEDING, CLASS 1	ACRE	0.75
25000400	NITROGEN FERTILIZER NUTRIENT	POUND	63
25000500	PHOSPHORUS FERTILIZER NUTRIENT	POUND	63
25000800	POTASSIUM FERTILIZER NUTRIENT	POUND	63
25100115	MULCH, METHOD 2	ACRE	0.75
28000250	TEMPORARY EROSION CONTROL SEEDING	POUND	140
28000400	PERIMETER EROSION BARRIER	FOOT	316
28000500	INLET AND PIPE PROTECTION	EACH	13
28100107	STONE RIPRAP, CLASS A4	SQ YD	11
28200200	FILTER FABRIC	SQ YD	11
30200650	PROCESSING MODIFIED SOIL 12"	SQ YD	3,179
30201500	LIME	TON	61.2
35101600	AGGREGATE BASE COURSE, TYPE B 4"	SQ YD	966
35102000	AGGREGATE BASE COURSE, TYPE B 8"	SQ YD	333
40201000	AGGREGATE FOR TEMPORARY ACCESS	TON	144
40600200	BITUMINOUS MATERIALS (PRIME COAT)	TON	0.7
40600300	AGGREGATE (PRIME COAT)	TON	1
40603085	HOT-MIX ASPHALT BINDER COURSE, IL-19.0, N70	TON	1,116
40603315	HOT-MIX ASPHALT SURFACE COURSE, MIX "C", N70	TON	263
40800050	INCIDENTAL HOT-MIX ASPHALT SURFACING	TON	55
42300200	PORTLAND CEMENT CONCRETE DRIVEWAY PAVEMENT, 6 INCH	SQ YD	72
42400100	PORTLAND CEMENT CONCRETE SIDEWALK 4 INCH	SQ FT	8,697
42400800	DETECTABLE WARNINGS	SQ FT	24
44000100	PAVEMENT REMOVAL	SQ YD	1,982
44000200	DRIVEWAY PAVEMENT REMOVAL	SQ YD	102
48101620	AGGREGATE SHOULDERS, TYPE B 10"	SQ YD	43
50105220	PIPE CULVERT REMOVAL	FOOT	103
54213666	PRECAST REINFORCED CONCRETE FLARED END SECTIONS 21"	EACH	1.0
550A2320	STORM SEWERS, RUBBER GASKET, CLASS A, TYPE 1 12"	FOOT	439
550A2330	STORM SEWERS, RUBBER GASKET, CLASS A, TYPE 1 15"	FOOT	473
550A2350	STORM SEWERS, RUBBER GASKET, CLASS A, TYPE 1 21"	FOOT	47
550A2520	STORM SEWERS, RUBBER GASKET, CLASS A, TYPE 2 12"	FOOT	70
60219000	MANHOLES, TYPE A, 4'-DIAMETER, TYPE 8 GRATE	EACH	1
60219570	MANHOLES, TYPE A, 4'-DIAMETER, TYPE 3V FRAME AND GRATE	EACH	5
60236200	INLETS, TYPE A, TYPE 8 GRATE	EACH	2
60600095	CLASS SI CONCRETE (OUTLET)	CU YD	6.0
60604400	COMBINATION CONCRETE CURB AND GUTTER, TYPE B-6.18	FOOT	1,598
67100100	MOBILIZATION	L SUM	1
70300100	SHORT TERM PAVEMENT MARKING	FOOT	115
70300220	TEMPORARY PAVEMENT MARKING - LINE 4"	FOOT	1,943
70300240	TEMPORARY PAVEMENT MARKING - LINE 6"	FOOT	81
70300260	TEMPORARY PAVEMENT MARKING - LINE 12"	FOOT	15
70301000	WORK ZONE PAVEMENT MARKING REMOVAL	SQ FT	2,155
72000100	SIGN PANEL - TYPE 1	SQ FT	20.0
72400310	REMOVE SIGN PANEL - TYPE 1	SQ FT	12.0
72400710	RELOCATE SIGN PANEL - TYPE 1	SQ FT	6.3
* 72800100	TELESCOPING STEEL SIGN SUPPORT	FOOT	73
* 78000200	THERMOPLASTIC PAVEMENT MARKING - LINE 4"	FOOT	1,943
* 78000400	THERMOPLASTIC PAVEMENT MARKING - LINE 6"	FOOT	81
* 78000600	THERMOPLASTIC PAVEMENT MARKING - LINE 12"	FOOT	15
* 78100100	RAISED REFLECTIVE PAVEMENT MARKER	EACH	11
X0323265	REMOVE EXISTING RIPRAP	SQ YD	114
X6020074	INLETS, TYPE A, TYPE 3V FRAME AND GRATE	EACH	5
X7010216	TRAFFIC CONTROL AND PROTECTION, (SPECIAL)	L SUM	1
XX006119	TRAFFIC CONTROL AND PROTECTION (DETOUR)	L SUM	1

* SPECIALTY ITEMS

THOUVENOT, WADE & MOERCHEN, INC.
ENGINEERS • SURVEYORS • PLANNERS



* COST INCLUDED IN EARTH EXCAVATION
NO ADDITIONAL COMPENSATION WILL
BE PROVIDED.

CORPORATE OFFICE
4940 OLD COLLINGSVILLE RD.
SWANSEA, ILLINOIS 62226
TEL (618) 624-4488
FAX (618) 624-6688
corp@twm-inc.com

WATERLOO OFFICE
113 SOUTH MAIN STREET
WATERLOO, ILLINOIS 62298
TEL (618) 939-5050
FAX (618) 939-3938
waterloo@twm-inc.com

EDWARDSVILLE OFFICE
10158 CENTURY DRIVE
EDWARDSVILLE, ILLINOIS 62025
TEL (618) 656-4040
FAX (618) 656-4343
edwardsville@twm-inc.com

ST. LOUIS OFFICE
1001 CRAIG ROAD, SUITE 260
ST. LOUIS, MISSOURI 63146
TEL (314) 236-8052
FAX (314) 872-2194
stlouis@twm-inc.com

PROFESSIONAL REGISTRATIONS LICENSE NO.
ILLINOIS PROFESSIONAL DESIGN FIRM 184-011210
ILLINOIS PROFESSIONAL ENGINEERING CORP. 02-003370
ILLINOIS PROFESSIONAL STRUCTURAL ENGR. CORP. 01-002022
ILLINOIS PROF. LAND SURVEYING CORP. 048-000029
MISSOURI PROFESSIONAL ENGR. CORP. MC 001528
MISSOURI LAND SURVEYING CORP. MC 000316

SEAL

Signature: _____
Signature Date: _____
Expiration Date: _____
STATEMENT OF RESPONSIBILITY
I hereby certify that the document herein to be authorized by my seal is restricted to this sheet, and I hereby disclaim any responsibility for all other drawings, specifications, estimates, reports or other documents or instruments relating to or intended to be used for any other part of the architectural, engineering or survey project.

TITLE: **SHILOH STATION ROAD PHASE 3
SCHEDULE OF QUANTITIES
12-0001-03-PV**
PROJECT: **SHILOH STATION ROAD
RECONSTRUCTION - PHASE 3
VILLAGE OF SHILOH
ST. CLAIR COUNTY, ILLINOIS**

REV	DATE	DESCRIPTION
△		
△		
△		

DRAWN BY: NTS SHEET
DESIGNED BY: NTS **4**
CHECKED BY: OF 23 SHEETS
APPROVED BY: PROJECT DESCRIPTION
PROJECT NUMBER: T01100602
 ISSUED FOR REVIEW ISSUED FOR BIDDING
 ISSUED FOR CONSTR. RECORD DRAWING

REMOVAL SCHEDULE

FROM LOCATION STATION, DIRECTION	TO LOCATION STATION, DIRECTION	TREE REMOVAL (ACRE)	PAVEMENT REMOVAL (SQ YD)	DRIVEWAY PAVEMENT REMOVAL (SQ YD)	PIPE CULVERT REMOVAL (FOOT)	REMOVE EXISTING RIPRAP (SQ YD)	CONCRETE WALL REMOVAL *(FOOT)	RAILROAD TIE REMOVAL *(FOOT)
35+50.00	43+75.00		1982.0					
35+50.00 LT	43+75.00 LT							
35+50.00 RT	43+75.00 RT							
35+92.25 LT	38+83.00 LT	0.15						
36+24.05 LT	38+54.90 LT					105.0		
38+57.36 LT	38+98.12 LT				44.3			
39+00.51 LT	39+13.84 LT					9.1		
40+71.87 RT	41+05.35 RT			63.0				
40+72.23 RT	41+06.36 RT				34.1			
40+72.58 RT	-						5.9	
41+06.07 RT	-						7.0	
42+37.64 LT	42+77.32 LT	0.01						
42+90.84 RT	43+14.95 RT				24.1			
42+91.34 RT	-							7.6
42+91.85 RT	43+13.76 RT			39.3				
43+14.60 RT	-							7.9
TOTAL		0.25	1982	102	103	114	12.9	15.5

PAVING AND SIDEWALK SCHEDULE

FROM LOCATION STATION, DIRECTION	TO LOCATION STATION, DIRECTION	PROCESING MODIFIED SOILS (SQ YD)	LIME (TON)	AGGREGATE BASE COURSE TYPE B - 4" (SQ YD)	HOT - MIX ASPHALT BINDER COURSE 1L - 19.0, N 70 (TON)	HOT - MIX ASPHALT SURFACE COURSE MIX "C", N 70 (TON)	PORTLAND CEMENT CONCRETE SIDEWALK - 4" (SQ FT)	DETECTABLE WARNINGS (SQ FT)	COMBINATION CONCRETE CURB & GUTTER TYPE B - 6.18 (FOOT)	CLASS SI CONCRETE OUTLET (CU YD)	AGGREGATE SHOULDERS TYPE B - 10" (SQ YD)
35+50.00	43+75.00	3178.6	61.2								
35+50.00 LT	36+00.00 LT										10.9
35+50.00 RT	36+00.00 RT										11.7
36+00.00	43+25.00				1115.6	262.5					
36+00.00 LT	43+25.00 LT								732.5		
36+00.00 RT	43+25.00 RT								717.5		
36+00.00 LT	38+51.07 LT			143.2			1288.4				
36+00.00 RT	40+73.71 RT			410.9			3697.8				
38+37.17 LT	38+73.29LT								79.3		
38+51.07 LT	-							12			
38+73.29LT	-									3.0	
38+95.70 LT	-									3.0	
38+87.93 LT	38+95.70 LT								68.4		
38+95.37 LT	-							12			
38+97.37 LT	43+25.00 LT			242.8			2185				
41+06.22 RT	42+91.77 RT			164.9			1484.4				
43+13.87 RT	43+25.00 RT			4.6			41.6				
43+25.00 LT	43+75.00 LT										9.9
43+25.00 RT	43+75.00 RT										10.6
TOTAL		3179	61	966	1116	263	8697	24	1598	6.0	43

THOUVENOT, WADE & MOERCHEN, INC.
ENGINEERS • SURVEYORS • PLANNERS



CORPORATE OFFICE
4940 OLD COLLINSVILLE RD.
SWANSEA, ILLINOIS 62226
TEL (618) 624-4488
FAX (618) 624-6688
corp@twm-inc.com

WATERLOO OFFICE
113 SCUTH MAIN STREET
WATERLOO, ILLINOIS 62298
TEL (618) 939-5050
FAX (618) 939-3939
waterloo@twm-inc.com

EDWARDSVILLE OFFICE
10158 CENTURY DRIVE
EDWARDSVILLE, ILLINOIS 62025
TEL (618) 658-4049
FAX (618) 658-4343
edwardsville@twm-inc.com

ST. LOUIS OFFICE
1001 CRAIG ROAD, SUITE 260
ST. LOUIS, MISSOURI 63148
TEL (314) 236-5052
FAX (314) 872-2194
stlouis@twm-inc.com

PROFESSIONAL REGISTRATIONS

REGISTRATION	LICENSE NO.
ILLINOIS PROFESSIONAL DESIGN FIRM	184-001220
PROFESSIONAL ENGINEERING CORP.	67-035370
PROFESSIONAL STRUCTURAL ENGR. CORP.	81-005302
ILLINOIS PROF. LAND SURVEYING CORP.	048-000659
MISSOURI PROFESSIONAL ENGR. CORP.	NC 001528
MISSOURI LAND SURVEYING CORP.	NC 000348

SEAL

Signature: _____
Signature Date: _____
Expiration Date: _____

STATEMENT OF RESPONSIBILITY
I hereby confirm that the document herein to be authorized by my seal is restricted to this sheet, and I hereby disclaim any responsibility for all other drawings, specifications, estimates, reports or other documents or instruments relating to or intended to be utilized for any other part of the architectural, engineering or survey project.

TITLE
SHILOH STATION ROAD PHASE 3
SCHEDULE OF QUANTITIES
12-00011-03-PV

PROJECT
SHILOH STATION ROAD
RECONSTRUCTION - PHASE 3
VILLAGE OF SHILOH
ST. CLAIR COUNTY, ILLINOIS

REV	DATE	DESCRIPTION
△		
△		
△		

DRAWN BY:	NTS	SHEET
DESIGNED BY:	NTS	5
CHECKED BY:		OF 23 SHEETS
APPROVED BY:		PROJECT DESCRIPTION
PROJECT NUMBER:	T01100602	
<input checked="" type="checkbox"/> ISSUED FOR REVIEW <input type="checkbox"/> ISSUED FOR BIDDING <input type="checkbox"/> ISSUED FOR CONSTR. <input type="checkbox"/> RECORD DRAWING		

LOCATION STATION, DIRECTION	ENTRANCE TYPE	"L" ADJUSTMENT LENGTH OF DRIVE BEHIND ENTRANCE APRON (FEET)	AGGREGATE BASE COURSE TYPE B - 8" (SQ YD)	AGGREGATE TEMPORARY ACCESS (TON)	BITUMINOUS MATERIALS PRIME COAT (TON)	AGGREGATE PRIME COAT (TON)	INCIDENTAL HOT-MIX ASPHALT SURFACING (TON)	PORTLAND CEMENT CONCRETE DRIVEWAY PAVEMENT 6" (SQ YD)
35+50.00	BEGINNING JOINT	-	128.6		0.2	0.3	21.6	
38+73.22 LT	JOHNSON RD. JOINT	-	57.9		0.1	0.2	9.7	
40+90.03 RT	PE	4.2	11.1	139	0.1	0.1	1.2	42.4
43+02.94 RT	PE	4.6	6.7	5	0.1	0.1	0.8	29.7
43+25.00	ENDING JOINT	-	128.3		0.2	0.3	21.6	
TOTAL			333	144	0.7	1	55	72

FROM LOCATION STATION, DIRECTION	TO LOCATION STATION, DIRECTION	TEMPORARY EROSION CONTROL SEEDING (LBS)	PERIMETER EROSION BARRIER (FOOT)	INLET & PIPE PROTECTION (EACH)	SEEDING CLASS 1 (ACRES)	NITROGEN FERTILIZER NUTRIENT (LBS)	PHOSPHOROUS FERTILIZER NUTRIENT (LBS)	POTASSIUM FERTILIZER NUTRIENT (LBS)	MULCH METHOD 2 (ACRES)	RIPRAP (SQ YDS)	FILTER FABRIC (SQ YDS)
35+55.00 LT				1							
35+55.00 RT				1							
35+50.50 RT	37+50.00 RT		200								
35+50.00 LT	44+39.53 LT	80			0.4	36	36	36	0.4		
35+50.00 RT	43+75.00 RT	60			0.3	27	27	27	0.3		
36+61.94 LT				1							
36+61.94 RT				1							
38+37.17 LT				1							
38+37.17 RT				1							
38+71.34 LT										2	2
38+79.00 LT	38+92.00 LT		16								
38+96.00 LT	39+17.00 LT		100								
38+98.17 LT										2	2
39+09.28 LT				1							
39+09.28 RT				1							
40+40.77 LT				1							
40+40.77 RT				1							
42+15.78 LT				1							
42+15.78 RT				1							
43+90.78 LT				1							
44+39.53 LT										6.8	6.8
TOTAL		140	316	13	0.7	63	63	63	0.7	11	11

FROM LOCATION STATION	TO LOCATION STATION	EARTH CUT (CY)	EARTH FILL (CY)	BALANCE WASTE (+) SHORTAGE (-) (CY)
SHILOH STATION ROAD				
35+50	43+25	799	1357	-558
JOHNSON ROAD				
20+40	21+23	191	4	187
TOTALS				
TOTAL EARTH EXCAVATION		990	TOTAL FURNISHED EXCAVATION	-371

THOUVENOT, WADE & MOERCHEN, INC.
ENGINEERS • SURVEYORS • PLANNERS



CORPORATE OFFICE
4940 OLD COLLINSVILLE RD.
SHARPSIA, ILLINOIS 62226
TEL (618) 624-4488
FAX (618) 624-6688
corp@twm-inc.com

WATERLOO OFFICE
113 SOUTH MAIN STREET
WATERLOO, ILLINOIS 62298
TEL (618) 939-5050
FAX (618) 939-3938
waterloo@twm-inc.com

EDWARDSVILLE OFFICE
10150 CENTURY DRIVE
EDWARDSVILLE, ILLINOIS 62025
TEL (618) 656-4040
FAX (618) 656-4343
edwardsville@twm-inc.com

ST. LOUIS OFFICE
1001 CRAIG ROAD, SUITE 260
ST. LOUIS, MISSOURI 63146
TEL (314) 236-5052
FAX (314) 872-2194
atlouis@twm-inc.com

PROFESSIONAL REGISTRATION

ILLINOIS PROFESSIONAL DESIGN ENG	184-011220
PROFESSIONAL ENGINEERING CORP.	01-033770
PROFESSIONAL STRUCTURE ENGR CORP.	01-052522
ILLINOIS PROF. LAND SURVEYING CORP.	048-000023
MISSOURI PROFESSIONAL ENGR. CORP.	MS 001520
MISSOURI LAND SURVEYING CORP.	MS 000346

SEAL

Signature: _____
Expiration Date: _____
STATEMENT OF RESPONSIBILITY
I hereby confirm that the document herein to be authorized by my seal is restricted to this sheet, and I hereby disclaim any responsibility for all other drawings, specifications, estimates, reports or other documents or instruments relating to or intended to be utilized for any other part of the professional engineering or survey project.

STORM SEWER AND DRAINAGE STRUCTURES

FROM LOCATION STATION, DIRECTION	TO LOCATION STATION, DIRECTION	STORM SEWERS RUBBER GASKET CLASS A, TYPE 1 - 12" (FOOT)	STORM SEWERS RUBBER GASKET CLASS A, TYPE 2 - 12" (FOOT)	STORM SEWERS RUBBER GASKET CLASS A, TYPE 1 - 15" (FOOT)	STORM SEWERS RUBBER GASKET CLASS A, TYPE 1 - 21" (FOOT)	MANHOLES TYPE A 4' DIAMETER TYPE 3V FRAME AND GRATE (EACH)	MANHOLES TYPE A 4' DIAMETER TYPE 8 FRAME AND GRATE (EACH)	INLETS TYPE A TYPE 3V FRAME AND GRATE (EACH)	INLETS TYPE A TYPE 8 FRAME AND GRATE (EACH)	PRECAST FLARED END SECTION - 21"	TRENCH BACKFILL (CY)
35+55.00 LT	35+55.00 RT	29							1		2.77
35+55.00 LT									1		
35+55.00 RT											8.86
35+55.00 LT	36+61.94 LT	104.2									2.77
36+61.94 LT	36+61.94 RT	25.8				1					
36+61.94 LT								1			
36+61.94 RT											21.26
36+61.94 LT	38+37.17 LT	173.4									2.77
38+37.17 LT	38+37.17 RT	25.8				1					
38+37.17 LT								1			
38+37.17 RT											22.98
38+37.17 LT	39+09.26 LT		70.0								2.77
39+09.26 LT	39+09.26 RT	25.8				1					
39+09.26 LT								1			
39+09.26 RT											45.22
39+09.26 LT	40+40.77 LT			130.1							2.77
40+40.77 LT	40+40.77 RT	25.8				1					
40+40.77 LT								1			
40+40.77 RT											19.02
40+40.77 LT	42+15.78 LT			171.5							2.77
42+15.78 LT	42+15.78 RT	25.8				1					
42+15.78 LT								1			
42+15.78 RT											10.97
42+15.78 LI	43+90.78 LT			171.3			1				0.06
43+90.78 LT		1.5									3.05
43+90.78 LT	44+39.53 LT				46.9					1	
44+39.53 LT											148
TOTAL		437	70	473	47	5	1	5	2	1	

PAVEMENT MARKING SCHEDULE

FROM LOCATION STATION, DIRECTION	TO LOCATION STATION, DIRECTION	TYPE	THERMOPLASTIC PAVEMENT MARKING - LINE 4" (FOOT)	THERMOPLASTIC PAVEMENT MARKING - LINE 6" (FOOT)	THERMOPLASTIC PAVEMENT MARKING - LINE 12" (FOOT)	TEMPORARY PAVEMENT MARKING - LINE 4" (FOOT)	TEMPORARY PAVEMENT MARKING - LINE 6" (FOOT)	TEMPORARY PAVEMENT MARKING - LINE 12" (FOOT)	SHORT TERM PAVEMENT MARKING (FOOT)	RAISED REFLECTIVE PAVEMENT MARKERS (EACH)	REMOVE SIGN PANEL - TYPE 1 (SQ FT)	RELOCATE SIGN PANEL - TYPE 1 (SQ FT)	SIGN PANEL - TYPE 1 (SQ FT)	TELESCOPING STEEL SIGN SUPPORT (FOOT)
35+37.38 RT											3			
35+39.66 LT									8		3			
35+50.00	36+00.00	DOUBLE YELLOW	100.2			100.2							5	15.5
36+00.00 LT		(R2-1) 24"X30"											5	15.5
36+00.00 RT		(R2-1) 24"X30"							72					
36+00.00	43+25.00	DOUBLE YELLOW	1450			1450				11				
36+00.00	43+25.00	TWO-WAY AMBER												
38+50.27 LT	38+96.20 LT	CROSS WALK		47.3			47.3					6.25		15.5
38+55.99 LT		STOP SIGN												
38+56.91 LT	38+89.55 LT	CROSS WALK		34			34							
38+58.90 LT	38+73.37 LT	STOP BAR			15.2			15.2	15.2					
38+73.37 LT	38+98.79	DOUBLE YELLOW	190					190	12					
40+30.08 RT											3			
40+17.10 LT											3			
42+72.28 RT	43+75.00 RT	SOLID WHITE	102.8			102.8								
43+25.00	43+75.00	DOUBLE YELLOW	100			100			8				5	15.5
43+25.00 LT		(R2-1) 24"X30"											5	15.5
43+25.00 RT		(R2-1) 24"X30"												
TOTAL			1943	81	15	1943	81	15	115	11	12.0	6.3	20.0	78

TITLE: SHILOH STATION ROAD PHASE 3 SCHEDULE OF QUANTITIES 12-0001-03-PV

PROJECT: SHILOH STATION ROAD PHASE 3 RECONSTRUCTION - PHASE 3 VILLAGE OF SHILOH ST. CLAIR COUNTY, ILLINOIS

REV	DATE	DESCRIPTION
△		
△		
△		

DRAWN BY: NTS
DESIGNED BY: NTS
CHECKED BY:
APPROVED BY:

PROJECT NUMBER: TO1100602

ISSUED FOR REVIEW ISSUED FOR BIDDING
ISSUED FOR CONSTR. RECORD DRAWING

SHEET
6
OF 23 SHEETS

THOUVENOT, WADE & MOERCHEN, INC.
ENGINEERS ♦ SURVEYORS ♦ PLANNERS



CORPORATE OFFICE
4940 OLD COLLINSVILLE RD.
SWANSEA, ILLINOIS 62226
TEL (618) 624-4488
FAX (618) 624-6688
corp@twm-inc.com

WATERLOO OFFICE
113 SOUTH MAIN STREET
WATERLOO, ILLINOIS 62298
TEL (618) 939-5050
FAX (618) 939-3938
waterloo@twm-inc.com

EDWARDSVILLE OFFICE
1015B CENTURY DRIVE
EDWARDSVILLE, ILLINOIS 62025
TEL (618) 656-4040
FAX (618) 656-4343
edwardsville@twm-inc.com

ST. LOUIS OFFICE
1001 CRAIG ROAD, SUITE 260
ST. LOUIS, MISSOURI 63146
TEL (314) 236-5052
FAX (314) 872-2194
stlouis@twm-inc.com

PROFESSIONAL REGISTRATIONS

PROFESSIONAL REGISTRATIONS	LICENSE NO.
ILLINOIS PROFESSIONAL DESIGN FIRM	164-001220
PROFESSIONAL ENGINEERING CORP.	62-035370
PROFESSIONAL STRUCTURAL ENGR. CORP.	61-052202
ILLINOIS PROF. LAND SURVEYING CORP.	048-000029
MISSOURI PROFESSIONAL ENGR. CORP.	HC 001528
MISSOURI LAND SURVEYING CORP.	HC 000346

STATEMENT OF RESPONSIBILITY
I hereby confirm that the document herein to be authorized by my seal is restricted to this sheet, and I hereby disclaim any responsibility for all other drawings, specifications, estimates, reports or other documents or instruments relating to or intended to be utilized for any other part of the architectural, engineering or survey project.

TITLE: SHILOH STATION ROAD PHASE 3 TYPICAL SECTIONS 12-00011-03-PV

PROJECT: SHILOH STATION ROAD RECONSTRUCTION - PHASES 3 VILLAGE OF SHILOH ST. CLAIR COUNTY, ILLINOIS

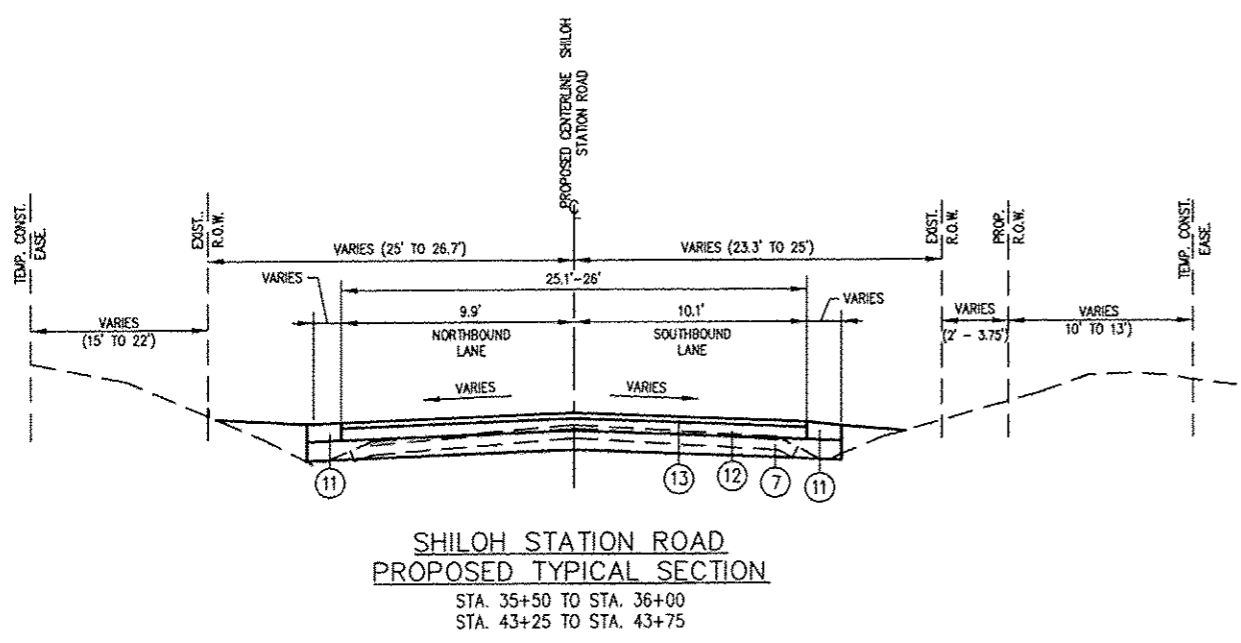
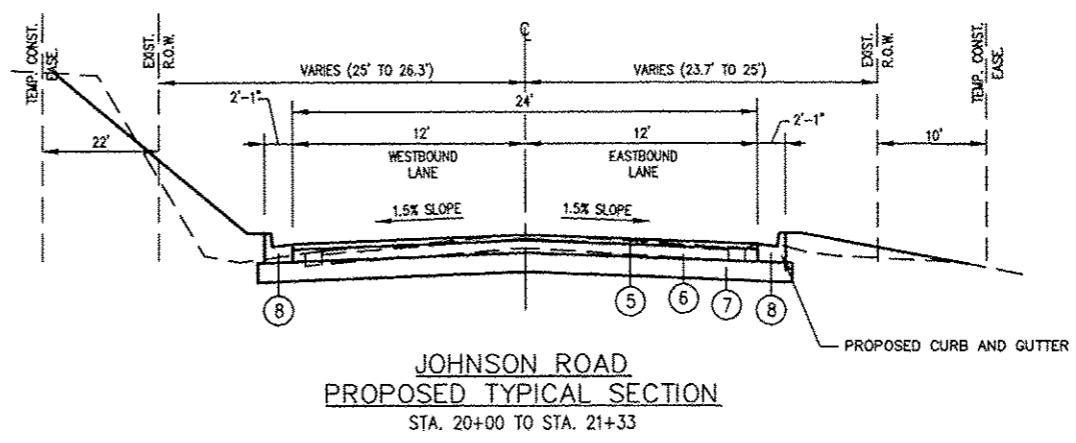
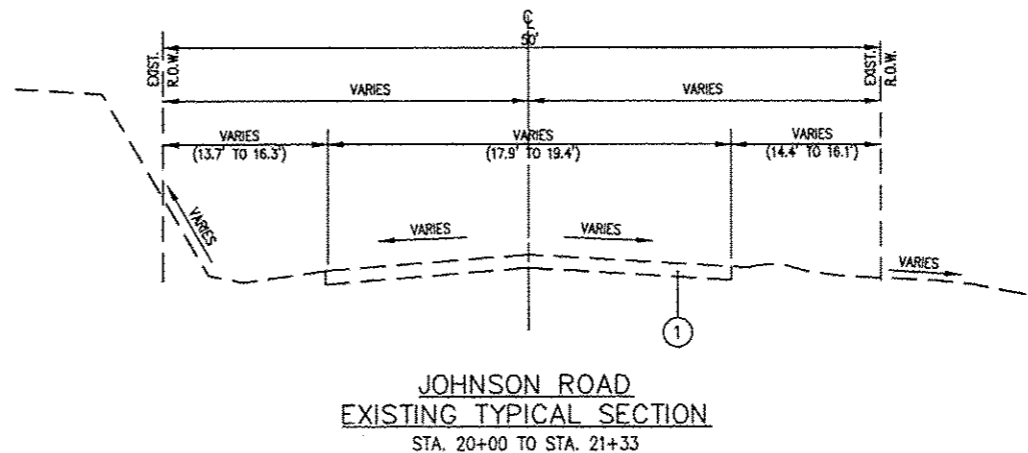
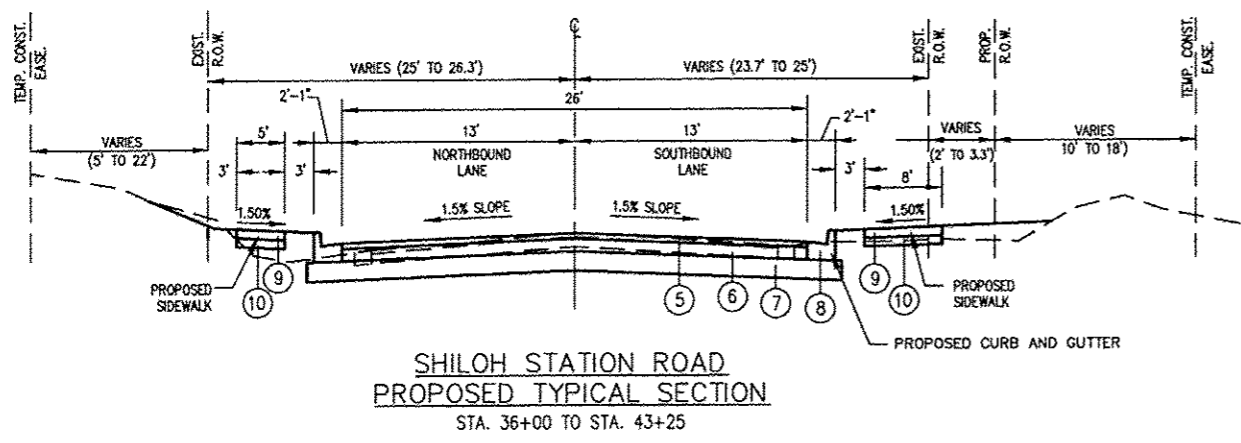
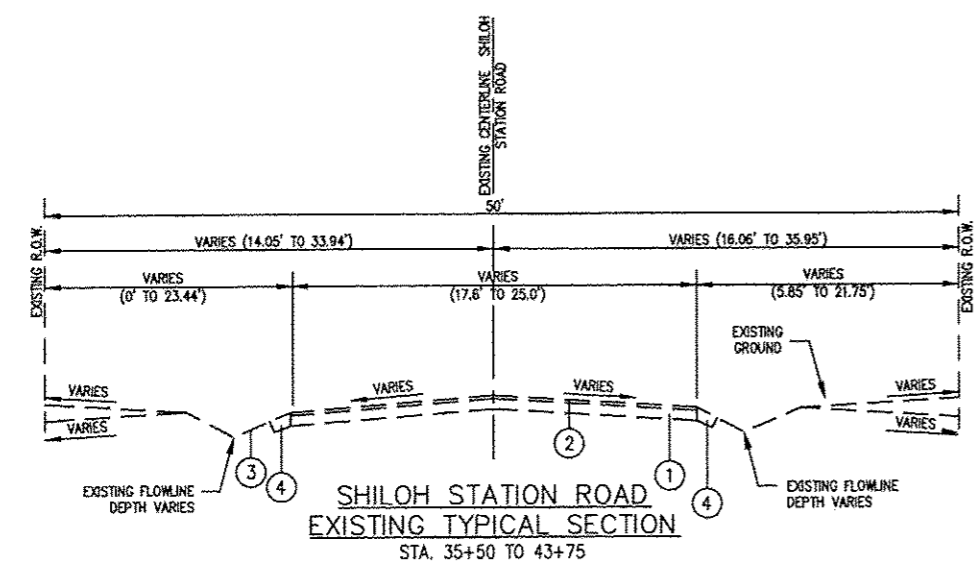
REV.	DATE	DESCRIPTION

DRAWN BY: NTS	SHEET
DESIGNED BY: NTS	7
CHECKED BY:	OF 23 SHEETS
APPROVED BY:	PROJECT DESCRIPTION
PROJECT NUMBER: T01100602	
<input checked="" type="checkbox"/> ISSUED FOR REVIEW	<input type="checkbox"/> ISSUED FOR BIDDING
<input type="checkbox"/> ISSUED FOR CONSTR.	<input type="checkbox"/> RECORD DRAWING

LEGEND

- ① EXISTING OIL AND CHIP PAVEMENT (THICKNESS VARIES)
- ② EXISTING ASPHALT OVERLAY
- ③ EXISTING ROADSIDE DITCH
- ④ EXISTING GRAVEL SHOULDERS
- ⑤ PROPOSED HOT-MIX ASPHALT SURFACE COURSE, MIX C, N70, 2"
- ⑥ PROPOSED HOT-MIX ASPHALT BINDER COURSE, IL19.0, N70, B 1/2"
- ⑦ PROPOSED LIME MODIFIED SOIL, 12"
- ⑧ PROPOSED COMBINATION CONCRETE CURB & GUTTER, TYPE B-6.18
- ⑨ PROPOSED P.C.C. SIDEWALK, 4"
- ⑩ PROPOSED AGGREGATE BASE COURSE, TYPE B, 4"
- ⑪ AGGREGATE SHOULDERS, TYPE B, 10"
- ⑫ AGGREGATE BASE COURSE, TYPE B, 8"
- ⑬ INCIDENTAL HMA SURFACING, 3"

MIXTURE USE	SURFACE	BINDER	INCIDENTAL SURFACE
AC/PG	PG 64-22	PG 64-22	PG 64-22
RAP % (MAX)	10%	15%	10%
DESIGN AIR VOIDS	4.0% @ Ndes=70	4.0% @ Ndes=70	4.0% @ Ndes=70
MIX COMPOSITION (GRADATION MIXTURE)		IL 19.0	
FRICITION AGG	MIXTURE C	MIXTURE B	MIXTURE C



THOUVENOT, WADE & MOERCHEN, INC.
ENGINEERS • SURVEYORS • PLANNERS



CORPORATE OFFICE
4940 OLD COLLINSVILLE RD.
SHAWNEE, ILLINOIS 62226
TEL (618) 624-4488
FAX (618) 624-6888
corp@twm-inc.com

WATERLOO OFFICE
113 SOUTH MAIN STREET
WATERLOO, ILLINOIS 62298
TEL (618) 939-5050
FAX (618) 939-3938
waterloo@twm-inc.com

EDWARDSVILLE OFFICE
10158 CENTURY DRIVE
EDWARDSVILLE, ILLINOIS 62025
TEL (618) 656-4040
FAX (618) 656-4343
edwardsville@twm-inc.com

ST. CHARLES OFFICE
400 N. 5TH STREET, SUITE 101
ST. CHARLES, MISSOURI 63301
TEL (636) 724-8300
FAX (636) 724-8304
stlouis@twm-inc.com

PROFESSIONAL REGISTRATIONS	LICENSE NO.
ILLINOIS PROFESSIONAL DESIGN FIRM	184-001220
PROFESSIONAL ENGINEERING CORP.	82-00370
PROFESSIONAL STRUCTURAL ENGR. CORP.	81-00502
ILLINOIS PROF. LAND SURVEYING CORP.	048-00028
MISSOURI PROFESSIONAL ENGR. CORP.	HC 001528
MISSOURI LAND SURVEYING CORP.	HC 000346

Signature: _____
Signature Date: _____
Expiration Date: _____

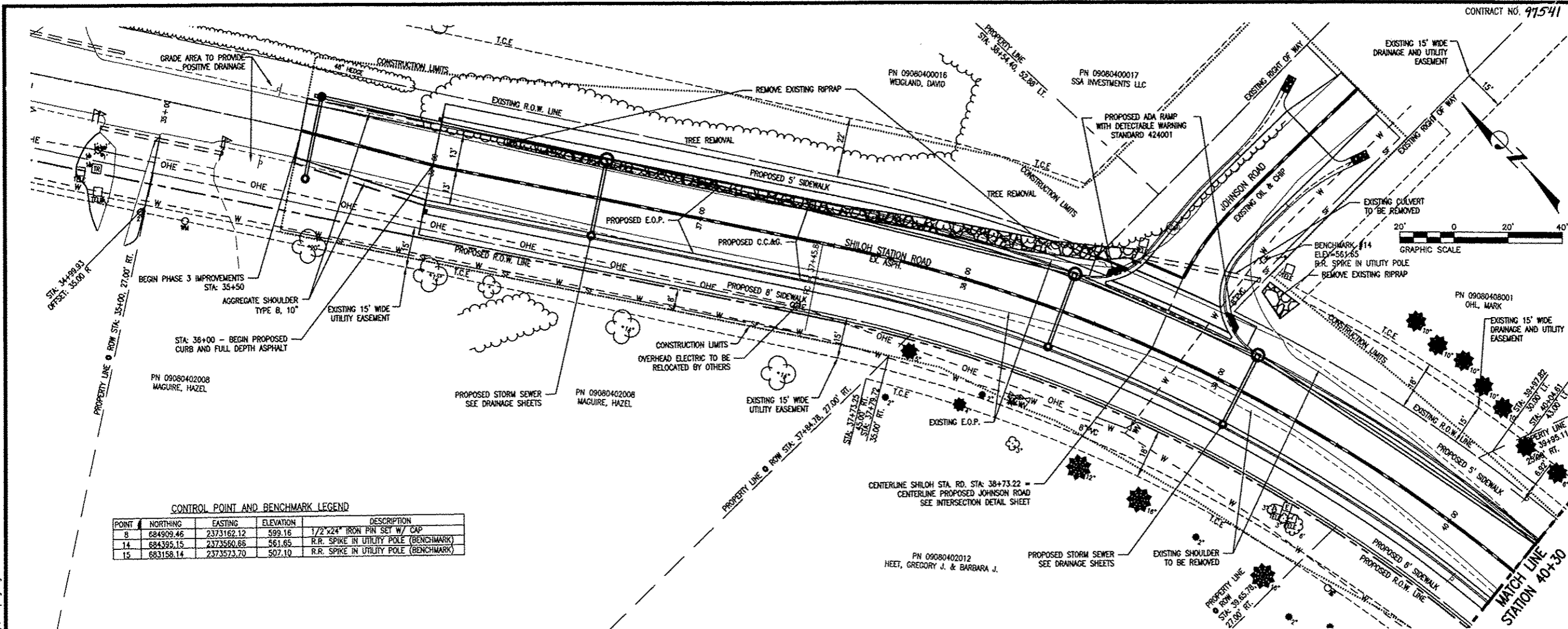
STATEMENT OF RESPONSIBILITY
I hereby confirm that the document herein to be authorized by my seal is restricted to this sheet, and I hereby disclaim any responsibility for all other drawings, specifications, estimates, reports or other documents or instruments relating to or intended to be utilized for any other part of the architectural, engineering or survey project.

TITLE
SHILOH STATION ROAD PHASE 3
PLAN AND PROFILE
12-00011-03-PV

PROJECT
SHILOH STATION ROAD
RECONSTRUCTION
VILLAGE OF SHILOH
ST. CLAIR COUNTY, ILLINOIS

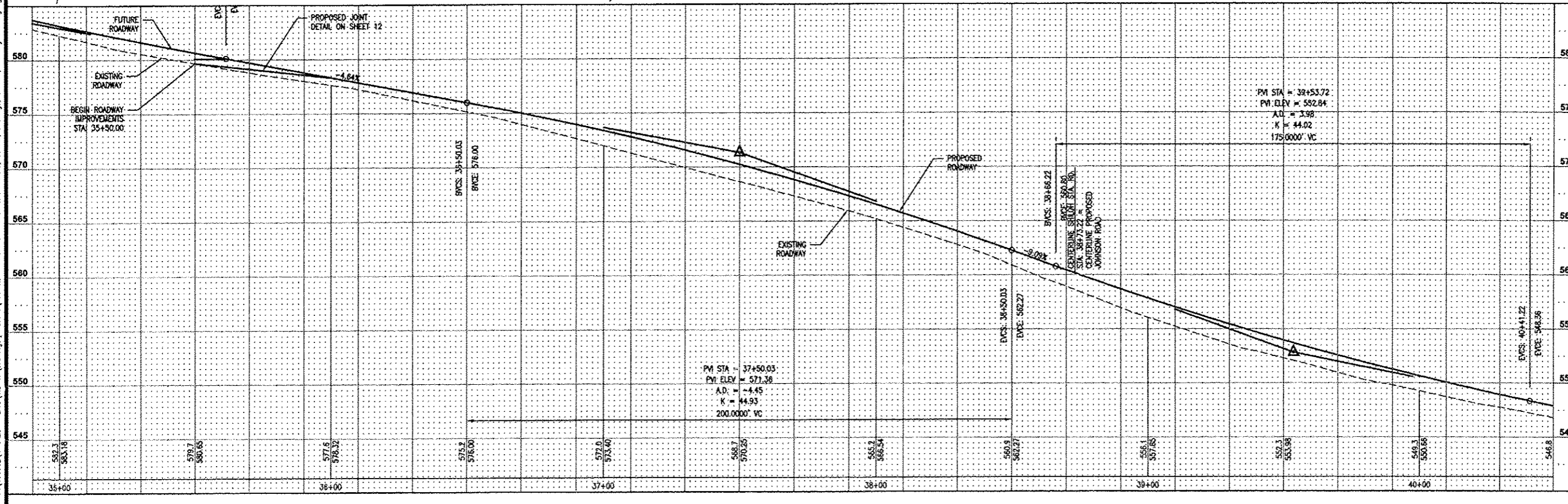
REV.	DATE	DESCRIPTION

DRAWN BY: NTS	SHEET
DESIGNED BY: NTS	8
CHECKED BY:	OF 23 SHEETS
APPROVED BY:	PROJECT DESCRIPTION
PROJECT NUMBER: T01100602	
<input checked="" type="checkbox"/> ISSUED FOR REVIEW	<input type="checkbox"/> ISSUED FOR BIDDING
<input type="checkbox"/> ISSUED FOR CONSTR.	<input type="checkbox"/> RECORD DRAWING

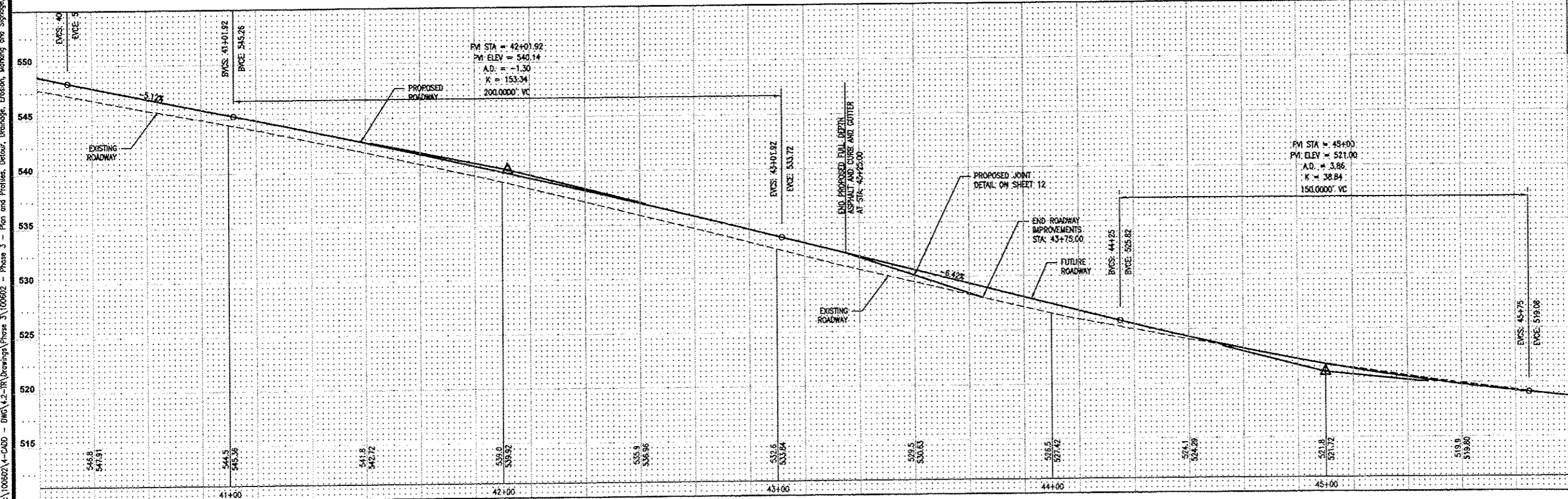
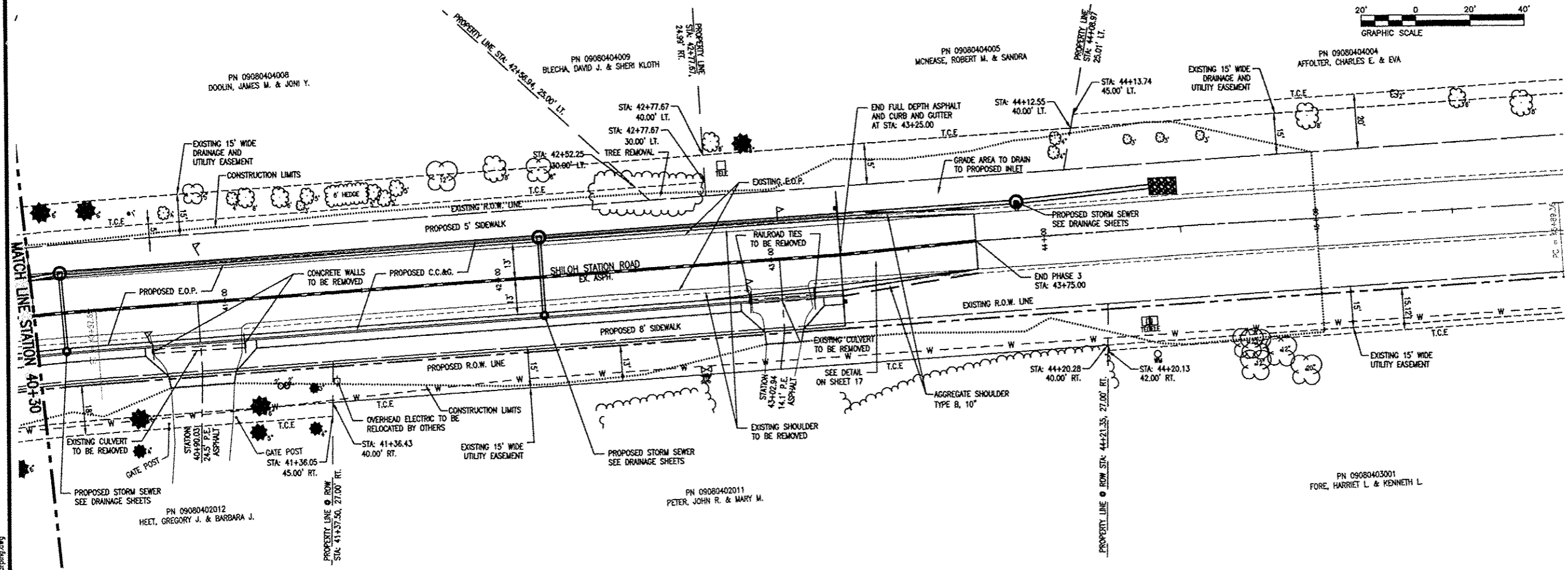
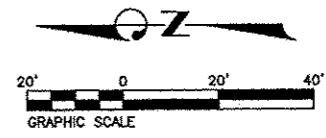


CONTROL POINT AND BENCHMARK LEGEND

POINT	NORTHING	EASTING	ELEVATION	DESCRIPTION
8	684909.46	2373162.12	599.18	1/2"x24" IRON PIN SET W/ CAP
14	684395.15	2373580.85	561.85	R.R. SPIKE IN UTILITY POLE (BENCHMARK)
15	683158.14	2373573.70	507.10	R.R. SPIKE IN UTILITY POLE (BENCHMARK)



P:\100602\4-CADD - DWG\4-2-TR\Drawings\Phase 3\100602 - Phase 3 - Plan and Profiles, Detour, Drainage, Erosion, Marking and Signage, Marking.dwg



THOUVENOT, WADE & MOERCHEN, INC.
 ENGINEERS • SURVEYORS • PLANNERS

- CORPORATE OFFICE**
 4940 OLD COLLINSVILLE RD.
 SWANSEA, ILLINOIS 62226
 TEL (618) 624-4488
 FAX (618) 624-6688
 corp@twm-inc.com
- WATERLOO OFFICE**
 113 SOUTH MAIN STREET
 WATERLOO, ILLINOIS 62298
 TEL (618) 939-5050
 FAX (618) 939-3938
 waterloo@twm-inc.com
- EDWARDSVILLE OFFICE**
 1015B CENTURY DRIVE
 EDWARDSVILLE, ILLINOIS 62025
 TEL (618) 656-4040
 FAX (618) 656-4343
 edwardsville@twm-inc.com
- ST. CHARLES OFFICE**
 400 N. 5TH STREET, SUITE 101
 ST. CHARLES, MISSOURI 63301
 TEL (636) 724-8300
 FAX (636) 724-8304
 stcharles@twm-inc.com

PROFESSIONAL REGISTRATIONS	LICENSE NO.
ILLINOIS PROFESSIONAL DESIGN FIRM	184-001220
PROFESSIONAL ENGINEERING CORP.	62-003370
PROFESSIONAL STRUCTURAL ENGR. CORP.	61-000202
ILLINOIS PROF. LAND SURVEYING CORP.	048-000028
MISSOURI PROFESSIONAL ENGR. CORP.	MC 001528
MISSOURI LAND SURVEYING CORP.	MC 000346

Signature: _____
 Signature Date: _____
 Expiration Date: _____

STATEMENT OF RESPONSIBILITY
 I hereby confirm that the document herein to be authorized by my seal is restricted to this sheet, and I hereby disclaim any responsibility for all other drawings, specifications, estimates, reports or other documents or instruments relating to or intended to be utilized for any other part of the architectural, engineering or survey project.

TITLE
 SHILOH STATION ROAD PHASE 3
 PLAN AND PROFILE
 12-00011-03-PV

PROJECT
 SHILOH STATION ROAD
 RECONSTRUCTION
 VILLAGE OF SHILOH
 ST. CLAIR COUNTY, ILLINOIS

REV	DATE	DESCRIPTION
△		
△		
△		

DRAWN BY: NTS	SHEET
DESIGNED BY: NTS	9
CHECKED BY:	OF 23 SHEETS
APPROVED BY:	PROJECT DESCRIPTION
PROJECT NUMBER: T01100602	
<input checked="" type="checkbox"/> ISSUED FOR REVIEW	<input type="checkbox"/> ISSUED FOR BIDDING
<input type="checkbox"/> ISSUED FOR CONSTR.	<input type="checkbox"/> RECORD DRAWING

P:\100602\14-CADD - DWG\14-2-TR\Drawings\Phase 3 - Plan and Profiles, Detour, Drainage, Erosion, Marking and Signage, Warnings.dwg

THOUVENOT, WADE & MOERCHEN, INC.
ENGINEERS ♦ SURVEYORS ♦ PLANNERS



- CORPORATE OFFICE**
 4940 OLD COLLINSVILLE RD.
 SWANSEA, ILLINOIS 62226
 TEL (618) 624-4488
 FAX (618) 624-6688
 corp@twm-inc.com
- WATERLOO OFFICE**
 113 SOUTH MAIN STREET
 WATERLOO, ILLINOIS 62296
 TEL (618) 939-5050
 FAX (618) 939-3938
 waterloo@twm-inc.com
- EDWARDSVILLE OFFICE**
 1015B CENTURY DRIVE
 EDWARDSVILLE, ILLINOIS 62025
 TEL (618) 656-4040
 FAX (618) 656-4343
 edwardsville@twm-inc.com
- ST. CHARLES OFFICE**
 400 N. 5TH STREET, SUITE 101
 ST. CHARLES, MISSOURI 63301
 TEL (636) 724-8300
 FAX (636) 724-8304
 stcharles@twm-inc.com

PROFESSIONAL REGISTRATIONS	LICENSE NO.
ILLINOIS PROFESSIONAL DESIGN FIRM	104-001220
PROFESSIONAL ENGINEERING CORP.	62-035370
PROFESSIONAL STRUCTURAL ENGR. CORP.	01-005202
ILLINOIS PROF. LAND SURVEYING CORP.	048-000022
MISSOURI PROFESSIONAL ENGR. CORP.	NC 001528
MISSOURI LAND SURVEYING CORP.	NC 000346

SEAL

Signature: _____
Signature Title: _____
Expiration Date: _____

STATEMENT OF RESPONSIBILITY
I hereby confirm that the document herein to be authorized by my seal is restricted to this sheet, and I hereby disclaim any responsibility for all other drawings, specifications, estimates, reports or other documents or instruments relating to or intended to be utilized for any other part of the architectural, engineering or survey project.

**TITLE: SHILOH STATION ROAD PHASE 3
DETOUR PLAN
12-00011-03-PV**

**PROJECT: SHILOH STATION ROAD
RECONSTRUCTION
VILLAGE OF SHILOH
ST. CLAIR COUNTY, ILLINOIS**

REV.	DATE	DESCRIPTION

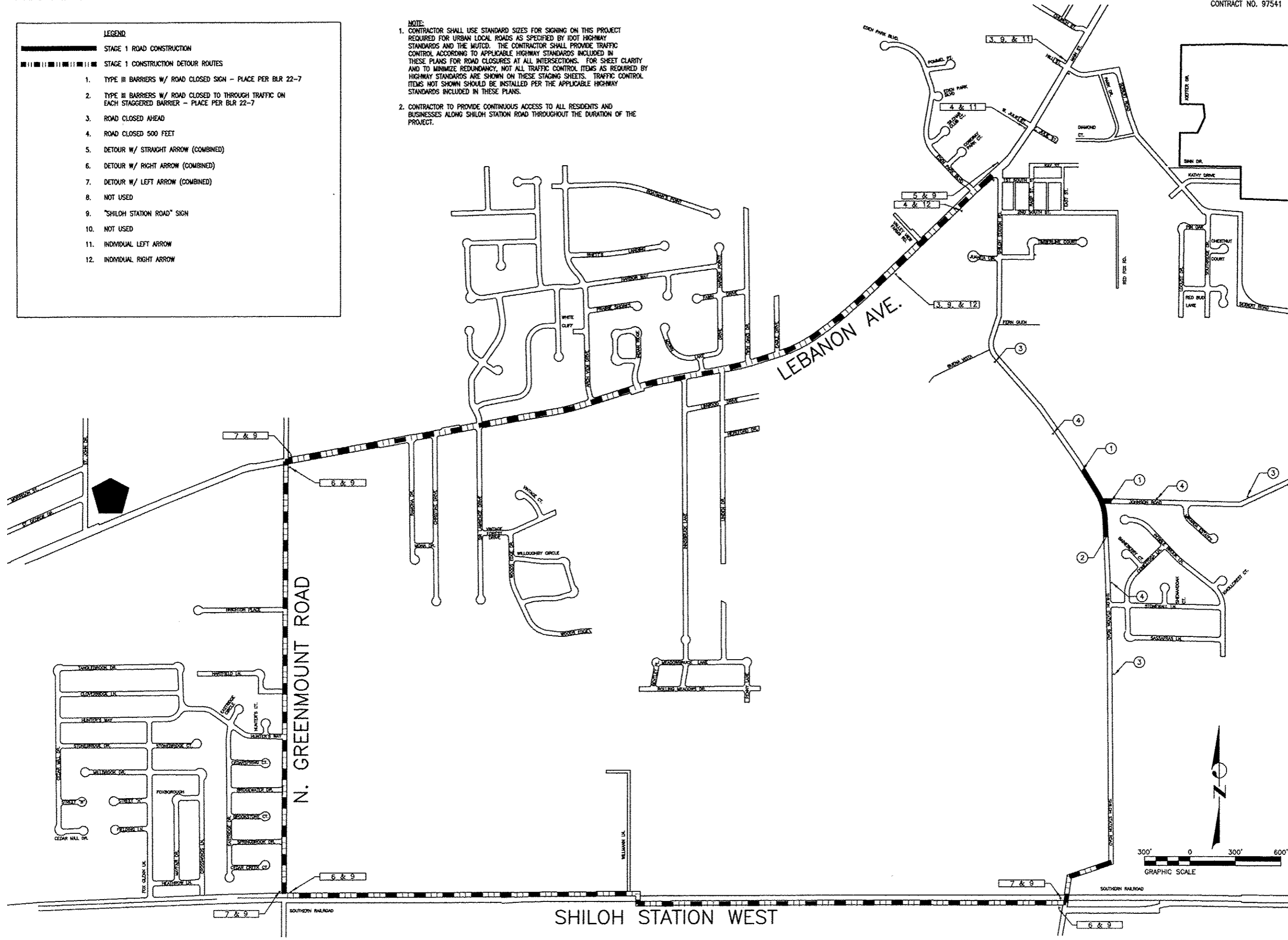
DRAWN BY: NTS	SHEET
DESIGNED BY: NTS	10
CHECKED BY:	OF 23 SHEETS
APPROVED BY:	PROJECT DESCRIPTION
PROJECT NUMBER: TO1100602	
<input type="checkbox"/> ISSUED FOR REVIEW	<input type="checkbox"/> ISSUED FOR BIDDING
<input type="checkbox"/> ISSUED FOR CONSTR.	<input type="checkbox"/> RECORD DRAWING

LEGEND

- STAGE 1 ROAD CONSTRUCTION
- STAGE 1 CONSTRUCTION DETOUR ROUTES
- 1. TYPE III BARRIERS W/ ROAD CLOSED SIGN - PLACE PER BLR 22-7
- 2. TYPE III BARRIERS W/ ROAD CLOSED TO THROUGH TRAFFIC ON EACH STAGGERED BARRIER - PLACE PER BLR 22-7
- 3. ROAD CLOSED AHEAD
- 4. ROAD CLOSED 500 FEET
- 5. DETOUR W/ STRAIGHT ARROW (COMBINED)
- 6. DETOUR W/ RIGHT ARROW (COMBINED)
- 7. DETOUR W/ LEFT ARROW (COMBINED)
- 8. NOT USED
- 9. "SHILOH STATION ROAD" SIGN
- 10. NOT USED
- 11. INDIVIDUAL LEFT ARROW
- 12. INDIVIDUAL RIGHT ARROW

NOTE:

1. CONTRACTOR SHALL USE STANDARD SIZES FOR SIGNING ON THIS PROJECT REQUIRED FOR URBAN LOCAL ROADS AS SPECIFIED BY IDOT HIGHWAY STANDARDS AND THE MUTCD. THE CONTRACTOR SHALL PROVIDE TRAFFIC CONTROL ACCORDING TO APPLICABLE HIGHWAY STANDARDS INCLUDED IN THESE PLANS FOR ROAD CLOSURES AT ALL INTERSECTIONS. FOR SHEET CLARITY AND TO MINIMIZE REDUNDANCY, NOT ALL TRAFFIC CONTROL ITEMS AS REQUIRED BY HIGHWAY STANDARDS ARE SHOWN ON THESE STAGING SHEETS. TRAFFIC CONTROL ITEMS NOT SHOWN SHOULD BE INSTALLED PER THE APPLICABLE HIGHWAY STANDARDS INCLUDED IN THESE PLANS.
2. CONTRACTOR TO PROVIDE CONTINUOUS ACCESS TO ALL RESIDENTS AND BUSINESSES ALONG SHILOH STATION ROAD THROUGHOUT THE DURATION OF THE PROJECT.



P:\100602\4-CDD - DWG\4.2-TR\Drawings\Phase 3\100602 - Phase 3 - Plan and Profiles, Detour, Drainage, Erosion, Marking and Signage, Warnings.dwg

THOUVENOT, WADE & MOERCHEN, INC.
ENGINEERS • SURVEYORS • PLANNERS



CORPORATE OFFICE
4940 OLD COLLINSVILLE RD.
SWANSEA, ILLINOIS 62226
TEL (618) 624-4488
FAX (618) 624-6688
corp@twm-inc.com

WATERLOO OFFICE
113 SOUTH MAIN STREET
WATERLOO, ILLINOIS 62298
TEL (618) 939-5050
FAX (618) 939-3938
waterloo@twm-inc.com

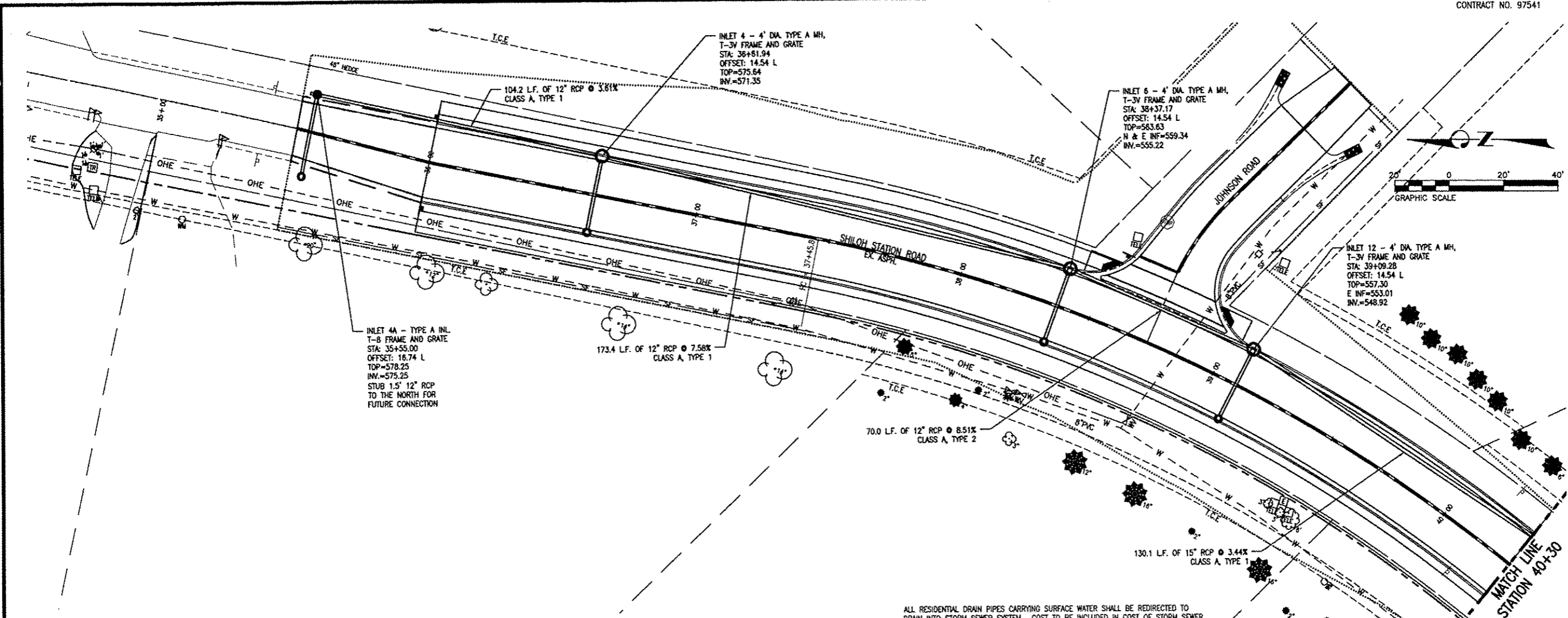
EDWARDSVILLE OFFICE
1015B CENTURY DRIVE
EDWARDSVILLE, ILLINOIS 62025
TEL (618) 658-4040
FAX (618) 656-4343
edwardsville@twm-inc.com

ST. CHARLES OFFICE
400 N. 5TH STREET, SUITE 101
ST. CHARLES, MISSOURI 63301
TEL (636) 724-8300
FAX (636) 724-8304
stloula@twm-inc.com

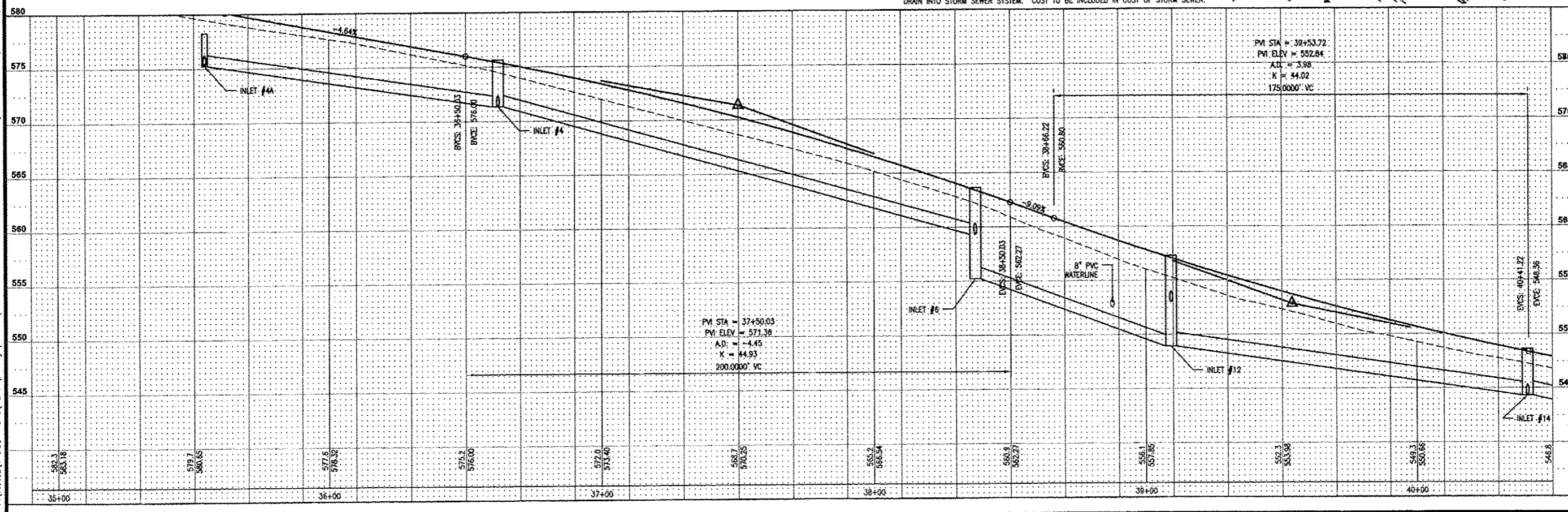
PROFESSIONAL REGISTRATIONS	LICENSE NO.
ILLINOIS PROFESSIONAL DESIGN FIRM	184-001200
PROFESSIONAL ENGINEERING CORP.	02-033070
PROFESSIONAL STRUCTURAL ENGR. CORP.	81-005202
ILLINOIS PROF. LAND SURVEYING CORP.	048-000229
MISSOURI PROFESSIONAL ENGR. CORP.	MC 001528
MISSOURI LAND SURVEYING CORP.	MC 000346

SEAL

Signature: _____
Signature Date: _____
Expiration Date: _____
STATEMENT OF RESPONSIBILITY
I hereby confirm that the document herein to be authorized by my seal is restricted to this sheet, and I hereby disclaim any responsibility for all other drawings, specifications, estimates, reports or other documents or instruments relating to or intended to be utilized for any other part of the architectural, engineering or survey project.



ALL RESIDENTIAL DRAIN PIPES CARRYING SURFACE WATER SHALL BE REDIRECTED TO DRAIN INTO STORM SEWER SYSTEM. COST TO BE INCLUDED IN COST OF STORM SEWER.



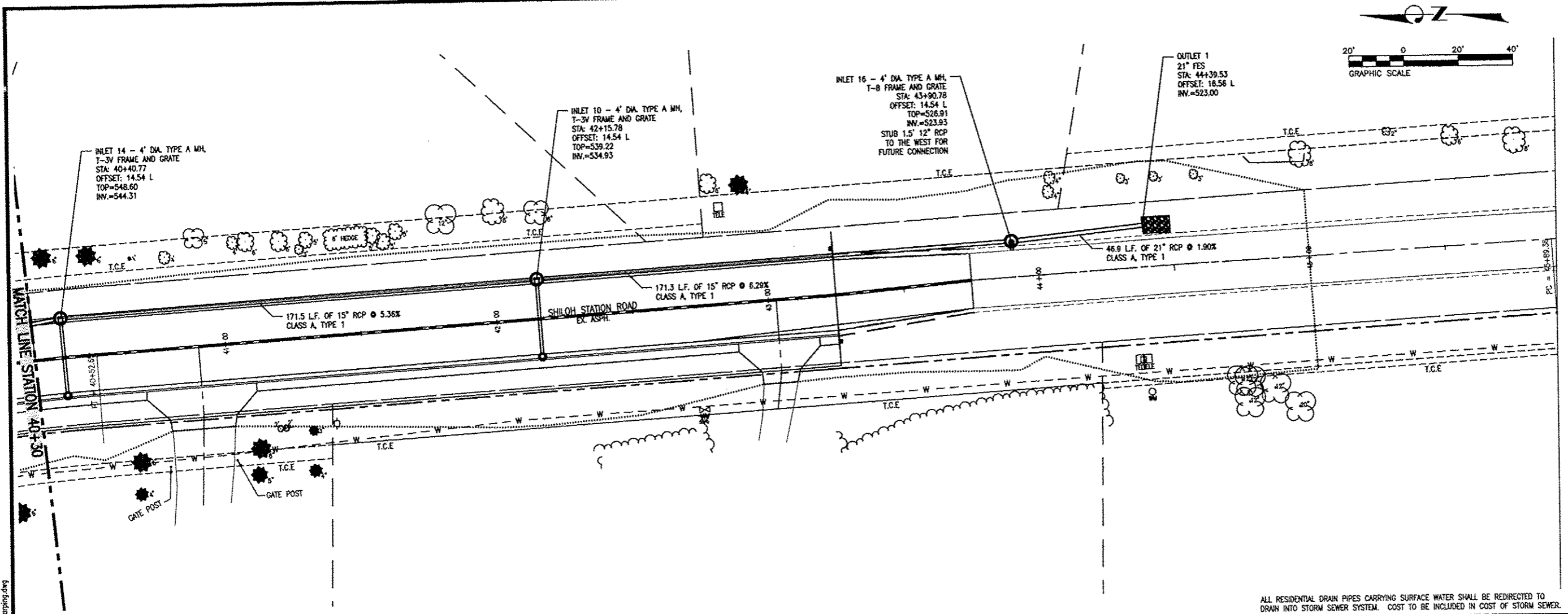
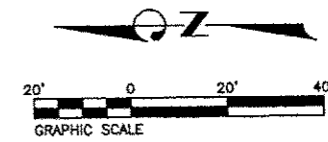
TITLE
SHILOH STATION ROAD PHASE 3
DRAINAGE PLAN AND EAST PROFILE
12-00011-03-PV

PROJECT
SHILOH STATION ROAD
RECONSTRUCTION
VILLAGE OF SHILOH
ST. CLAIR COUNTY, ILLINOIS

REV.	DATE	DESCRIPTION
△		
△		
△		

DRAWN BY: NTS	SHEET
DESIGNED BY: NTS	11
CHECKED BY:	OF 23 SHEETS
APPROVED BY:	PROJECT DESCRIPTION
PROJECT NUMBER: T01100602	
<input type="checkbox"/> ISSUED FOR REVIEW	<input type="checkbox"/> ISSUED FOR BIDDING
<input type="checkbox"/> ISSUED FOR CONSTR.	<input type="checkbox"/> RECORD DRAWING

P:\100602\4-CAD - DWG\4-2-TR\Drawings\Phase 3 - Plan and Profiles, Detour, Drainage, Erosion, Marking and Signage, Workings.dwg



THOUVENOT, WADE & MOERCHEN, INC.
ENGINEERS • SURVEYORS • PLANNERS

TWM

CORPORATE OFFICE
4940 OLD COLLINSVILLE RD.
SWANSEA, ILLINOIS 62226
TEL (618) 624-4488
FAX (618) 624-6888
corp@twm-inc.com

WATERLOO OFFICE
113 SOUTH MAIN STREET
WATERLOO, ILLINOIS 62298
TEL (618) 939-5050
FAX (618) 939-3938
waterloo@twm-inc.com

EDWARDSVILLE OFFICE
1015B CENTURY DRIVE
EDWARDSVILLE, ILLINOIS 62025
TEL (618) 656-4040
FAX (618) 656-4343
edwardsville@twm-inc.com

ST. CHARLES OFFICE
400 N. 5TH STREET, SUITE 101
ST. CHARLES, MISSOURI 63301
TEL (636) 724-8300
FAX (636) 724-8304
stlouis@twm-inc.com

PROFESSIONAL REGISTRATIONS	LICENSE NO.
ILLINOIS PROFESSIONAL DESIGN FIRM	184-001220
PROFESSIONAL ENGINEERING CORP.	02-035770
PROFESSIONAL STRUCTURAL ENGR. CORP.	01-005202
ILLINOIS PROF. LAND SURVEYING CORP.	048-000229
MISSOURI PROFESSIONAL ENGR. CORP.	MC 001528
MISSOURI LAND SURVEYING CORP.	MC 000348

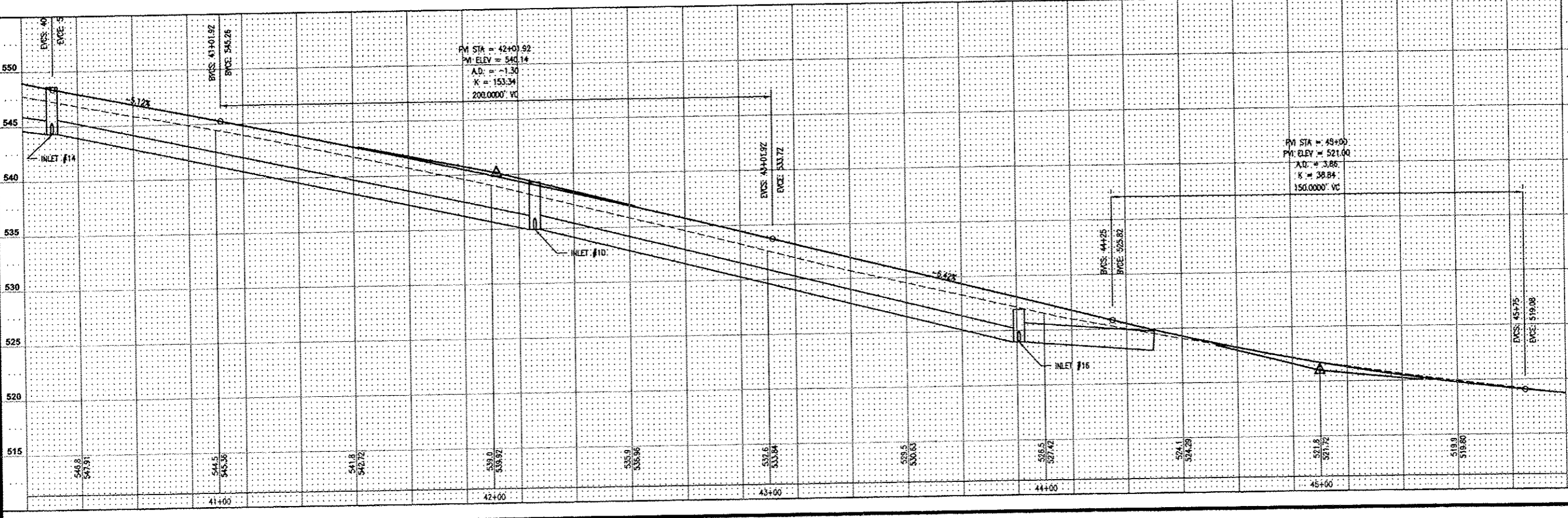
SEAL

Signature: _____
Signature Date: _____
Expiration Date: _____

STATEMENT OF RESPONSIBILITY
I hereby confirm that the document herein to be authorized by my seal is restricted to this sheet, and I hereby disclaim any responsibility for all other drawings, specifications, estimates, reports or other documents or instruments relating to or intended to be utilized for any other part of the architectural, engineering or survey project.

ALL RESIDENTIAL DRAIN PIPES CARRYING SURFACE WATER SHALL BE REDIRECTED TO DRAIN INTO STORM SEWER SYSTEM. COST TO BE INCLUDED IN COST OF STORM SEWER.

P:\1006602\4-CADD - DWG\4-C-TR\Drawings\Phase 3\1006602 - Phase 3 - Plan and Profiles, Detail, Drainage, Erosion, Marking and Signage, Warnings.dwg



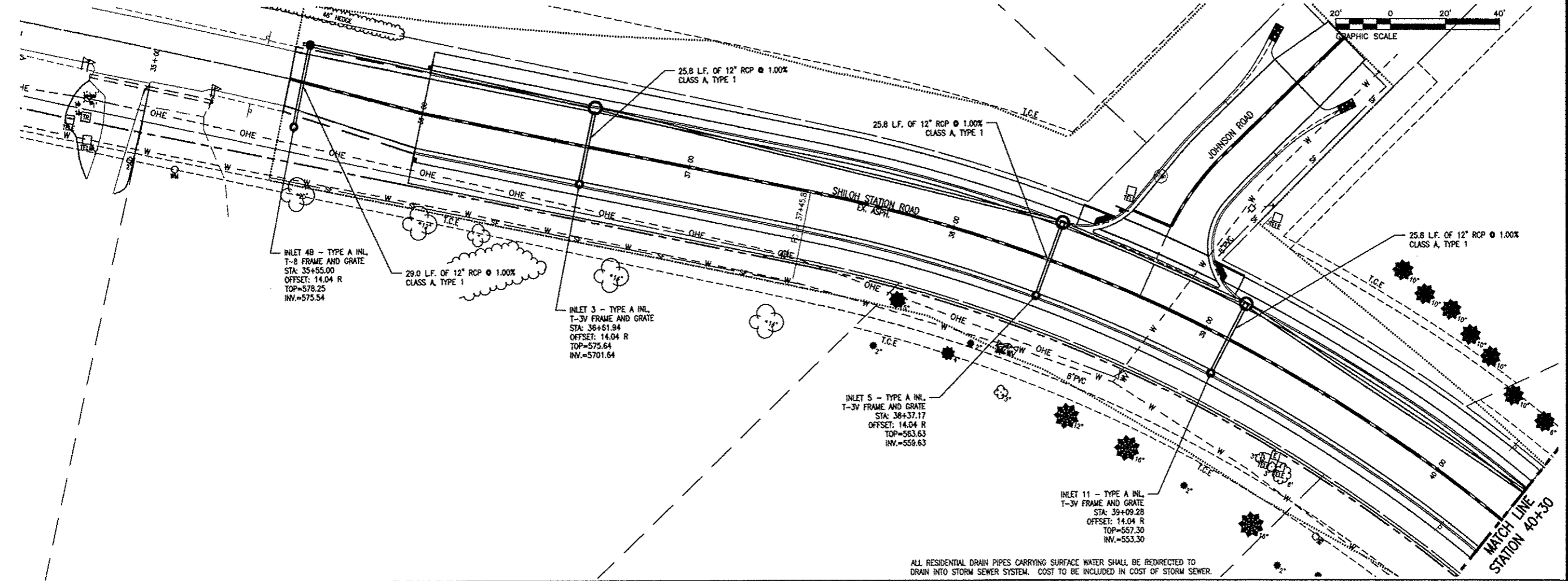
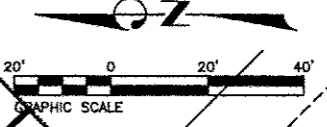
TITLE
SHILOH STATION ROAD PHASE 3
DRAINAGE PLAN AND EAST PROFILE
12-00011-03-PV

PROJECT
SHILOH STATION ROAD
RECONSTRUCTION
VILLAGE OF SHILOH
ST. CLAIR COUNTY, ILLINOIS

REV	DATE	DESCRIPTION
1		
2		
3		

DRAWN BY:	NTS	SHEET
DESIGNED BY:	NTS	12
CHECKED BY:		OF 23 SHEETS
APPROVED BY:		PROJECT DESCRIPTION
PROJECT NUMBER	T01100602	

ISSUED FOR REVIEW ISSUED FOR BIDDING
 ISSUED FOR CONSTR. RECORD DRAWING



INLET 4B - TYPE A INL.
T-8 FRAME AND GRATE
STA: 35+55.00
OFFSET: 14.04 R
TOP=578.25
INV.=575.54

29.0 L.F. OF 12" RCP @ 1.00%
CLASS A, TYPE 1

INLET 3 - TYPE A INL.
T-3V FRAME AND GRATE
STA: 36+61.84
OFFSET: 14.04 R
TOP=575.64
INV.=570.16

25.8 L.F. OF 12" RCP @ 1.00%
CLASS A, TYPE 1

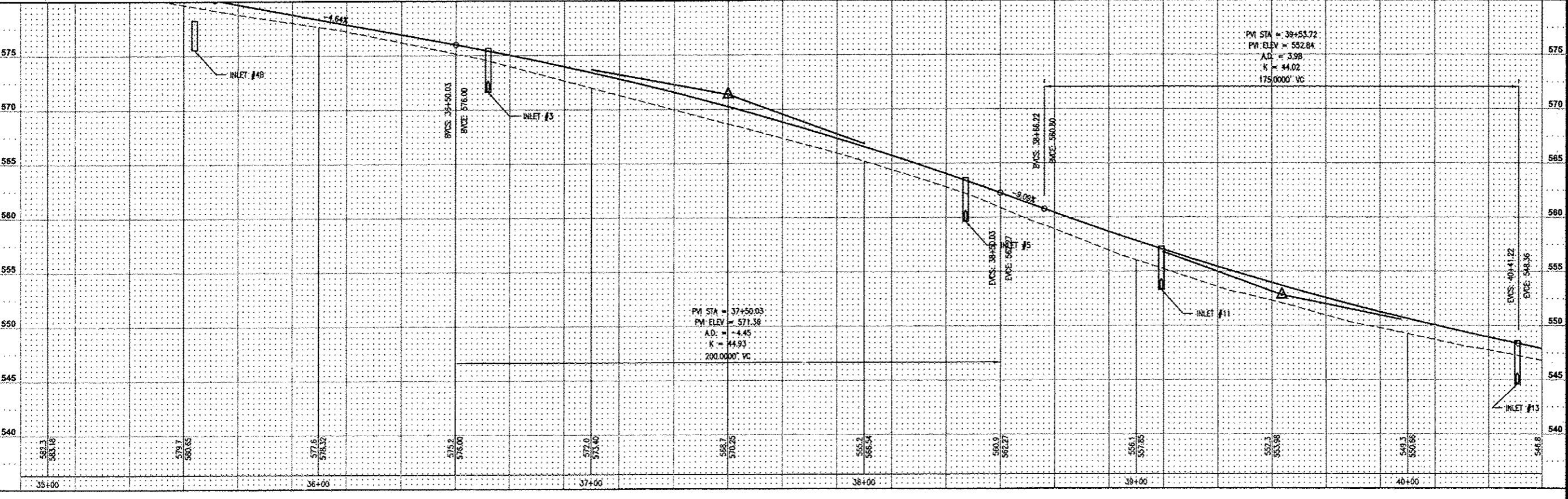
25.8 L.F. OF 12" RCP @ 1.00%
CLASS A, TYPE 1

INLET 5 - TYPE A INL.
T-3V FRAME AND GRATE
STA: 38+37.17
OFFSET: 14.04 R
TOP=583.63
INV.=559.63

INLET 11 - TYPE A INL.
T-3V FRAME AND GRATE
STA: 39+09.28
OFFSET: 14.04 R
TOP=557.30
INV.=553.30

25.8 L.F. OF 12" RCP @ 1.00%
CLASS A, TYPE 1

ALL RESIDENTIAL DRAIN PIPES CARRYING SURFACE WATER SHALL BE REDIRECTED TO
DRAIN INTO STORM SEWER SYSTEM. COST TO BE INCLUDED IN COST OF STORM SEWER.



**THOUVENOT,
WADE &
MOERCHEN, INC.**
ENGINEERS • SURVEYORS • PLANNERS



- CORPORATE OFFICE**
 4940 OLD COLLINSVILLE RD.
 SWANSEA, ILLINOIS 62226
 TEL (618) 624-4488
 FAX (618) 624-6668
 corp@twm-inc.com
- WATERLOO OFFICE**
 113 SOUTH MAIN STREET
 WATERLOO, ILLINOIS 62298
 TEL (618) 939-5050
 FAX (618) 939-3938
 waterloo@twm-inc.com
- EDWARDSVILLE OFFICE**
 1015B CENTURY DRIVE
 EDWARDSVILLE, ILLINOIS 62025
 TEL (618) 656-4040
 FAX (618) 656-4343
 edwardsville@twm-inc.com
- ST. CHARLES OFFICE**
 400 N. 6TH STREET, SUITE 101
 ST. CHARLES, MISSOURI 63301
 TEL (636) 724-8300
 FAX (636) 724-8304
 stlouis@twm-inc.com

PROFESSIONAL REGISTRATIONS	LICENSE NO.
ILLINOIS PROFESSIONAL DESIGN FIRM	184-001220
PROFESSIONAL ENGINEERING CORP.	62-033370
PROFESSIONAL STRUCTURAL ENGR. CORP.	81-005202
ILLINOIS PROF. LAND SURVEYING CORP.	046-000029
MISSOURI PROFESSIONAL ENGR. CORP.	NC 001528
MISSOURI LAND SURVEYING CORP.	NC 000348

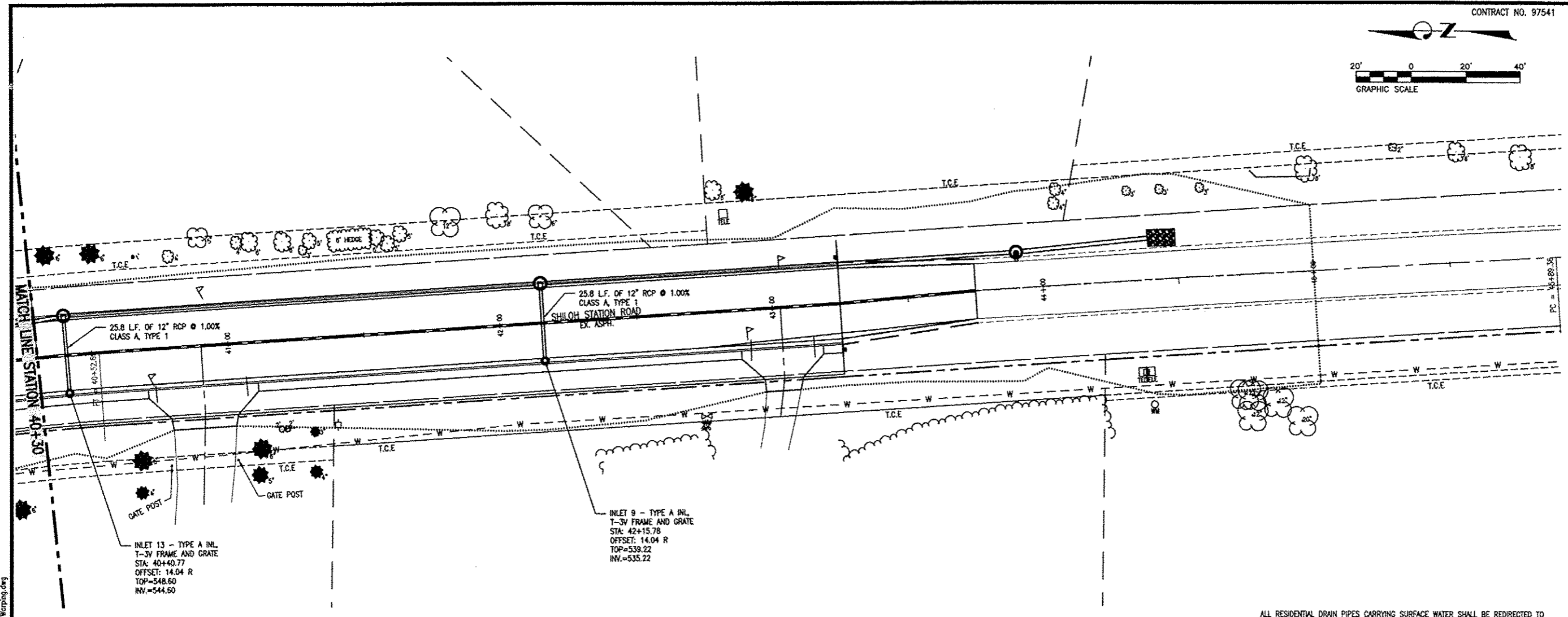
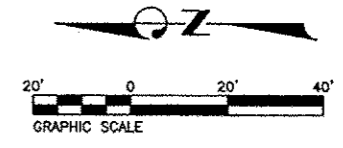
Signature: _____
 Signature Date: _____
 Expiration Date: _____
STATEMENT OF RESPONSIBILITY
 I hereby confirm that the document herein to be
 authenticated by my seal is restricted to this sheet,
 and I hereby disclaim any responsibility for all other
 drawings, specifications, estimates, reports or other
 documents or instruments relating to or intended to
 be utilized for any other part of the architectural,
 engineering or survey project.

TITLE
 SHILOH STATION ROAD PHASE 3
 DRAINAGE PLAN AND WEST PROFILE
 12-00011-03-PV

PROJECT
 SHILOH STATION ROAD
 RECONSTRUCTION
 VILLAGE OF SHILOH
 ST. CLAIR COUNTY, ILLINOIS

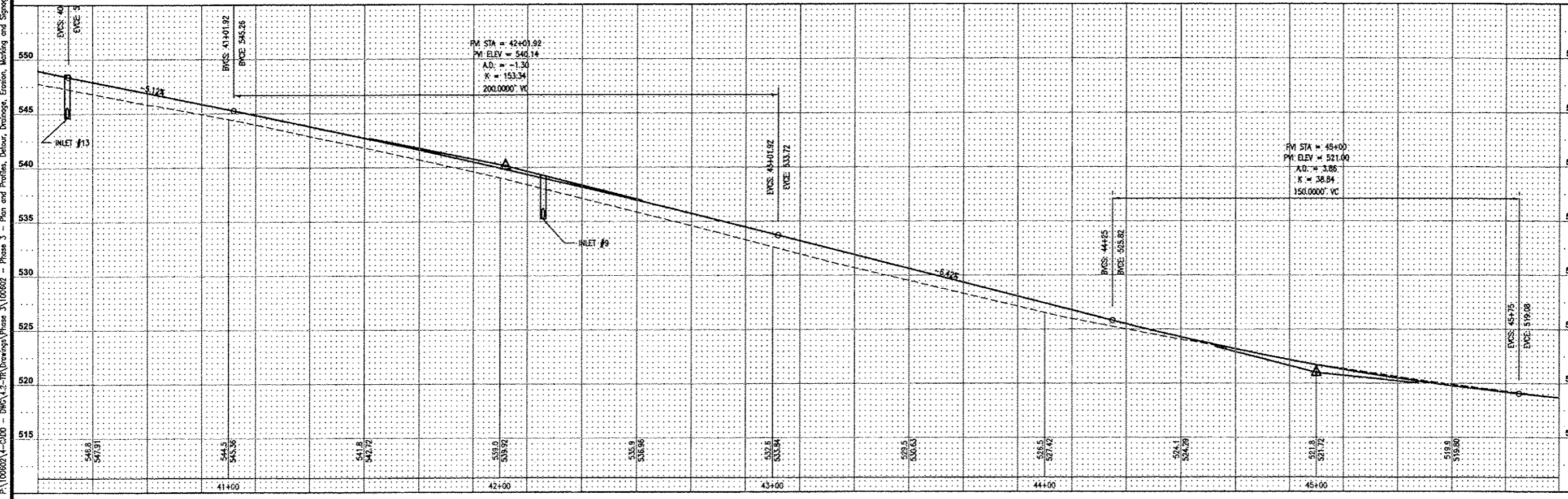
REV	DATE	DESCRIPTION

DRAWN BY: NTS	SHEET
DESIGNED BY: NTS	13
CHECKED BY:	OF 23 SHEETS
APPROVED BY:	PROJECT DESCRIPTION
PROJECT NUMBER: T01100602	
<input type="checkbox"/> ISSUED FOR REVIEW	<input type="checkbox"/> ISSUED FOR BIDDING
<input type="checkbox"/> ISSUED FOR CONSTR.	<input type="checkbox"/> RECORD DRAWING



P:\100602\4-0200 - DWG\2-2-TR\Drawings\Phase 3 - Plan and Profiles, Detour, Drainage, Erosion, Marking and Signage, Warping.dwg

ALL RESIDENTIAL DRAIN PIPES CARRYING SURFACE WATER SHALL BE REDIRECTED TO DRAIN INTO STORM SEWER SYSTEM. COST TO BE INCLUDED IN COST OF STORM SEWER.



**THOUVENOT,
WADE &
MOERCHEN, INC.**
ENGINEERS • SURVEYORS • PLANNERS



- CORPORATE OFFICE**
4940 OLD COLLINSVILLE RD.
SWANSEA, ILLINOIS 62226
TEL (618) 624-4488
FAX (618) 624-6898
corp@twm-inc.com
- WATERLOO OFFICE**
113 SOUTH MAIN STREET
WATERLOO, ILLINOIS 62298
TEL (618) 939-5050
FAX (618) 939-3938
waterloo@twm-inc.com
- EDWARDSVILLE OFFICE**
10158 CENTURY DRIVE
EDWARDSVILLE, ILLINOIS 62025
TEL (618) 658-4040
FAX (618) 658-4343
edwardsville@twm-inc.com
- ST. CHARLES OFFICE**
409 N. 5TH STREET, SUITE 101
ST. CHARLES, MISSOURI 63301
TEL (636) 724-8300
FAX (636) 724-8304
stcharles@twm-inc.com

PROFESSIONAL REGISTRATIONS	LICENSE NO.
ILLINOIS PROFESSIONAL DESIGN FIRM	184-00120
ILLINOIS PROFESSIONAL ENGINEERING CORP.	02-03070
PROFESSIONAL STRUCTURAL ENGR. CORP.	81-00002
ILLINOIS PROF. LAND SURVEYING CORP.	048-00029
MISSOURI PROFESSIONAL ENGR. CORP.	MC 001528
MISSOURI LAND SURVEYING CORP.	MC 000348

Signature: _____
Signature Date: _____
Expiration Date: _____

STATEMENT OF RESPONSIBILITY
I hereby confirm that the documents herein to be authorized by my seal is restricted to this sheet, and I hereby disclaim any responsibility for all other drawings, specifications, estimates, reports or other documents or instruments relating to or intended to be utilized for any other part of the architectural, engineering or survey project.

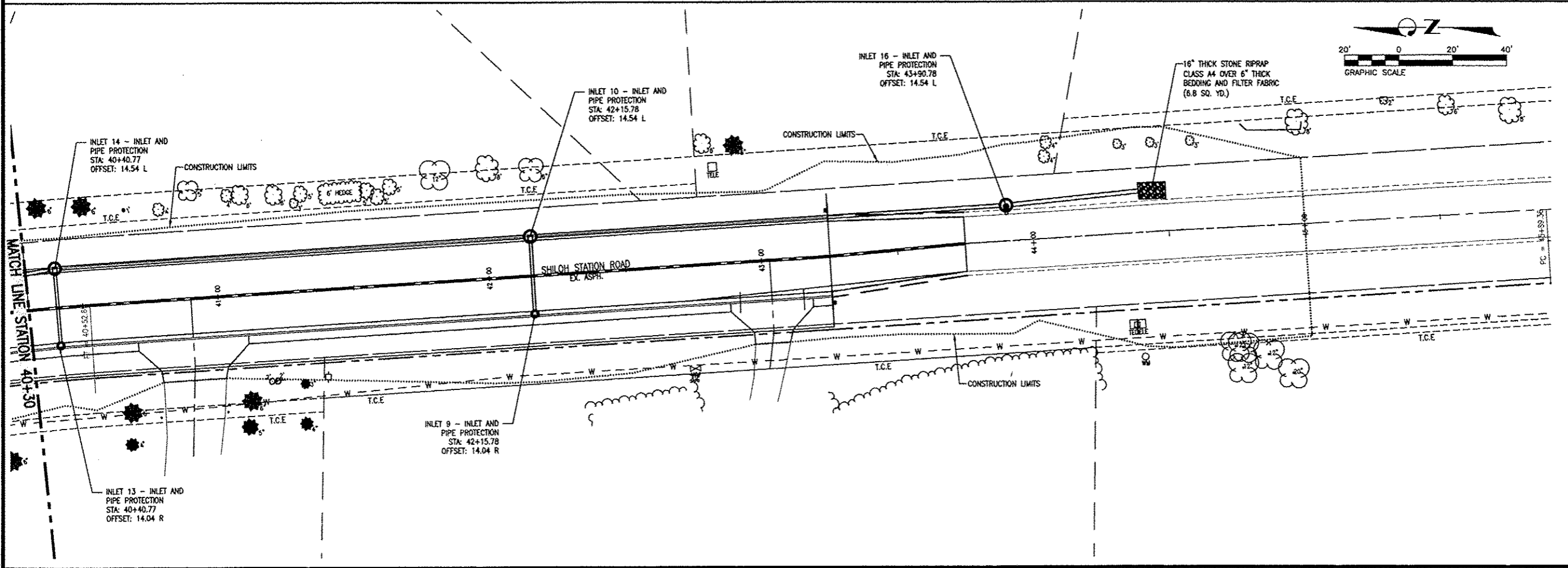
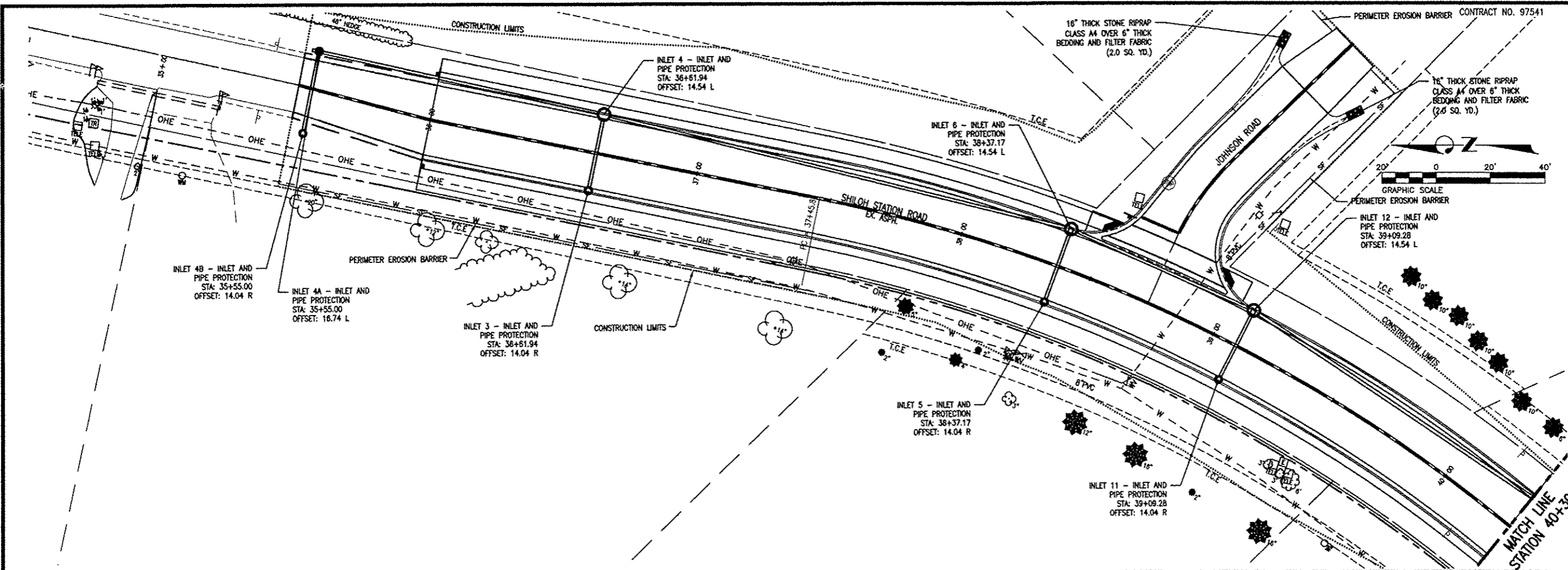
**SHILOH STATION ROAD PHASE 3
DRAINAGE PLAN AND EAST PROFILE**
12-00011-03-PV

PROJECT:
**SHILOH STATION ROAD
RECONSTRUCTION
VILLAGE OF SHILOH
ST. CLAIR COUNTY, ILLINOIS**

REV	DATE	DESCRIPTION
△		
△		
△		

DRAWN BY: NTS	SHEET
DESIGNED BY: NTS	14
CHECKED BY:	OF 23 SHEETS
APPROVED BY:	PROJECT DESCRIPTION
PROJECT NUMBER: T01100602	
<input checked="" type="checkbox"/> ISSUED FOR REVIEW	<input type="checkbox"/> ISSUED FOR BIDDING
<input type="checkbox"/> ISSUED FOR CONSTR.	<input type="checkbox"/> RECORD DRAWING

PS:\00602\4-C-000 - DWG\4.2-TR(Drawings)\Phase 3\100602 - Phase 3 - Plan and Profiles, Detour, Drainage, Erosion, Marking and Signage, Wapingo.dwg



THOUVENOT, WADE & MOERCHEN, INC.
ENGINEERS • SURVEYORS • PLANNERS

TWM

CORPORATE OFFICE
 4940 OLD COLLINSVILLE RD.
 SWANSEA, ILLINOIS 62226
 TEL (618) 624-4488
 FAX (618) 624-6888
 corp@twm-inc.com

WATERLOO OFFICE
 113 SOUTH MAIN STREET
 WATERLOO, ILLINOIS 62298
 TEL (618) 939-5050
 FAX (618) 939-3938
 waterloo@twm-inc.com

EDWARDSVILLE OFFICE
 1015B CENTURY DRIVE
 EDWARDSVILLE, ILLINOIS 62025
 TEL (618) 656-4040
 FAX (618) 656-4343
 edwardsville@twm-inc.com

ST. CHARLES OFFICE
 400 N. 5TH STREET, SUITE 101
 ST. CHARLES, MISSOURI 63301
 TEL (636) 724-8300
 FAX (636) 724-8304
 stcharles@twm-inc.com

PROFESSIONAL REGISTRATIONS	LICENSE NO.
ILLINOIS PROFESSIONAL DESIGN FIRM	184-001220
PROFESSIONAL ENGINEERING CORP.	62-035370
PROFESSIONAL STRUCTURAL ENGR. CORP.	61-005202
ILLINOIS PROF. LAND SURVEYING CORP.	048-000029
MISSOURI PROFESSIONAL ENGR. CORP.	NC 001528
MISSOURI LAND SURVEYING CORP.	NC 000348

SEAL

Signature: _____
Signature Date: _____
Expiration Date: _____

STATEMENT OF RESPONSIBILITY
I hereby confirm that the document herein to be authorized by my seal is restricted to this sheet, and I hereby disclaim any responsibility for all other drawings, specifications, estimates, reports or other documents or instruments relating to or intended to be utilized for any other part of the architectural, engineering or survey project.

TITLE
SHILOH STATION ROAD PHASE 3
EROSION CONTROL PLAN
12-00011-03-FV

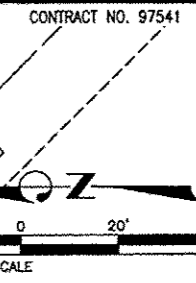
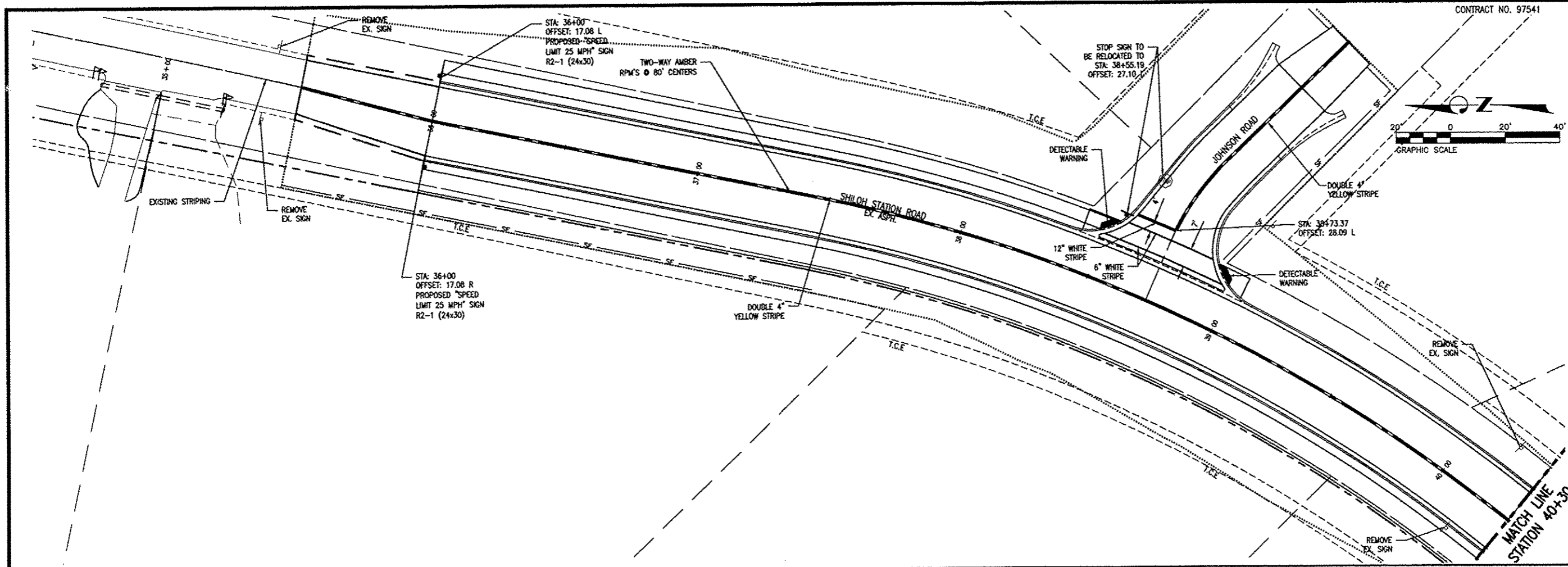
PROJECT
SHILOH STATION ROAD
RECONSTRUCTION
VILLAGE OF SHILOH
ST. CLAIR COUNTY, ILLINOIS

REV.	DATE	DESCRIPTION

DRAWN BY: NTS	SHEET
DESIGNED BY: NTS	15
CHECKED BY:	OF 23 SHEETS
APPROVED BY:	PROJECT DESCRIPTION
PROJECT NUMBER: T01100602	

ISSUED FOR REVIEW ISSUED FOR BIDDING
 ISSUED FOR CONSTR. RECORD DRAWING

P:\100602\1-C100 - DWG\4-2-TR\Drawings\Phase 3\100602 - Phase 3 - Plan and Profiles\Detail, Drainage, Erosion, Marking and Signage, Marking.dwg



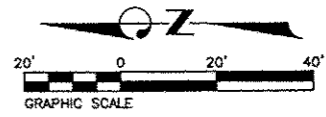
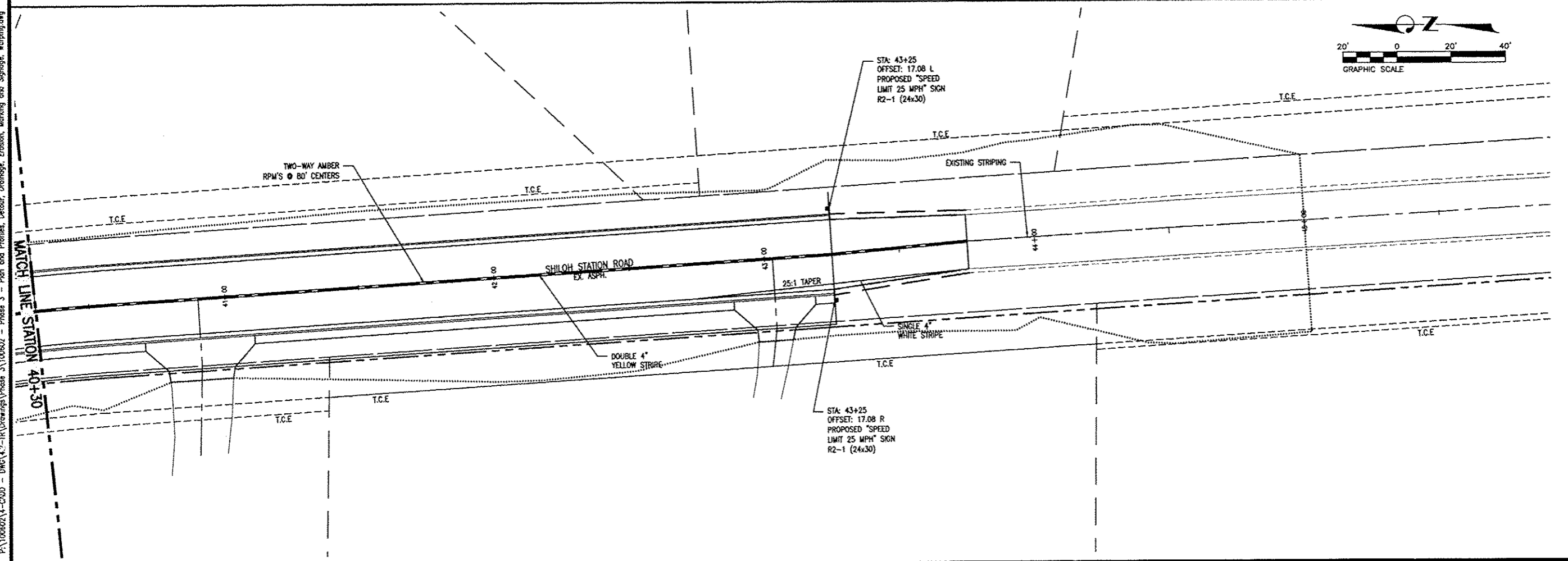
THOUVENOT, WADE & MOERCHEN, INC.
 ENGINEERS ♦ SURVEYORS ♦ PLANNERS

 CORPORATE OFFICE
 4840 OLD COLLINSVILLE RD.
 SWANSEA, ILLINOIS 62226
 TEL (618) 624-4488
 FAX (618) 624-6688
 corp@twm-inc.com
 WATERLOO OFFICE
 113 SOUTH MAIN STREET
 WATERLOO, ILLINOIS 62298
 TEL (618) 939-5050
 FAX (618) 939-3938
 waterloo@twm-inc.com
 EDWARDSVILLE OFFICE
 1015B CENTURY DRIVE
 EDWARDSVILLE, ILLINOIS 62025
 TEL (618) 656-4040
 FAX (618) 656-4343
 edwardsville@twm-inc.com
 ST. CHARLES OFFICE
 400 N. 5TH STREET, SUITE 101
 ST. CHARLES, MISSOURI 63301
 TEL (636) 724-8300
 FAX (636) 724-8304
 stlouis@twm-inc.com

PROFESSIONAL REGISTRATIONS	LICENSE NO.
ILLINOIS PROFESSIONAL DESIGN FIRM	104-001220
PROFESSIONAL ENGINEERING CORP.	62-033370
PROFESSIONAL STRUCTURAL ENGR. CORP.	81-005202
ILLINOIS PROF. LAND SURVEYING CORP.	048-000029
MISSOURI PROFESSIONAL ENR. CORP.	NC 001528
MISSOURI LAND SURVEYING CORP.	NC 000346

SEAL
 Signature: _____
 Signature Title: _____

STATEMENT OF RESPONSIBILITY
 I hereby confirm that the document herein to be authorized by my seal is restricted to this sheet, and I hereby disclaim any responsibility for all other drawings, specifications, estimates, reports or other documents or instruments relating to or intended to be used for any other part of the architectural, engineering or survey project.



TITLE: SHILOH STATION ROAD PHASE 3
 PAV. MARKING AND SIGNAGE
 12-0001-03-PV
PROJECT: SHILOH STATION ROAD
 RECONSTRUCTION
 VILLAGE OF SHILOH
 ST. CLAIR COUNTY, ILLINOIS

REV.	DATE	DESCRIPTION
△		
△		
△		

DRAWN BY: NTS	SHEET
DESIGNED BY: NTS	16
CHECKED BY:	OF 23 SHEETS
APPROVED BY:	PROJECT DESCRIPTION:
PROJECT NUMBER: T01100602	
<input checked="" type="checkbox"/> ISSUED FOR REVIEW	<input type="checkbox"/> ISSUED FOR BIDDING
<input type="checkbox"/> ISSUED FOR CONSTR.	<input type="checkbox"/> RECORD DRAWING

THOUVENOT, WADE & MOERCHEN, INC.
 ENGINEERS ♦ SURVEYORS ♦ PLANNERS



CORPORATE OFFICE
 4940 OLD COLLINSVILLE RD.
 SHWANSEA, ILLINOIS 62226
 TEL (618) 624-4488
 FAX (618) 624-6888
 corp@twm-inc.com

WATERLOO OFFICE
 113 SOUTH MAIN STREET
 WATERLOO, ILLINOIS 62298
 TEL (618) 939-5050
 FAX (618) 939-3938
 waterloo@twm-inc.com

EDWARDSVILLE OFFICE
 1015B CENTURY DRIVE
 EDWARDSVILLE, ILLINOIS 62025
 TEL (618) 656-4040
 FAX (618) 656-4343
 edwardsville@twm-inc.com

ST. CHARLES OFFICE
 400 N. 5TH STREET, SUITE 101
 ST. CHARLES, MISSOURI 63301
 TEL (636) 724-8300
 FAX (636) 724-8304
 stlouis@twm-inc.com

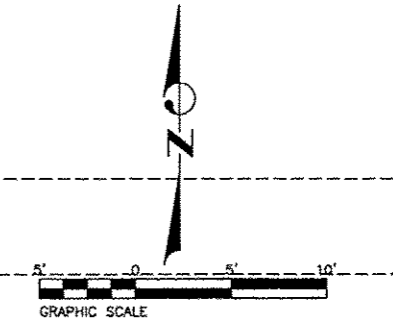
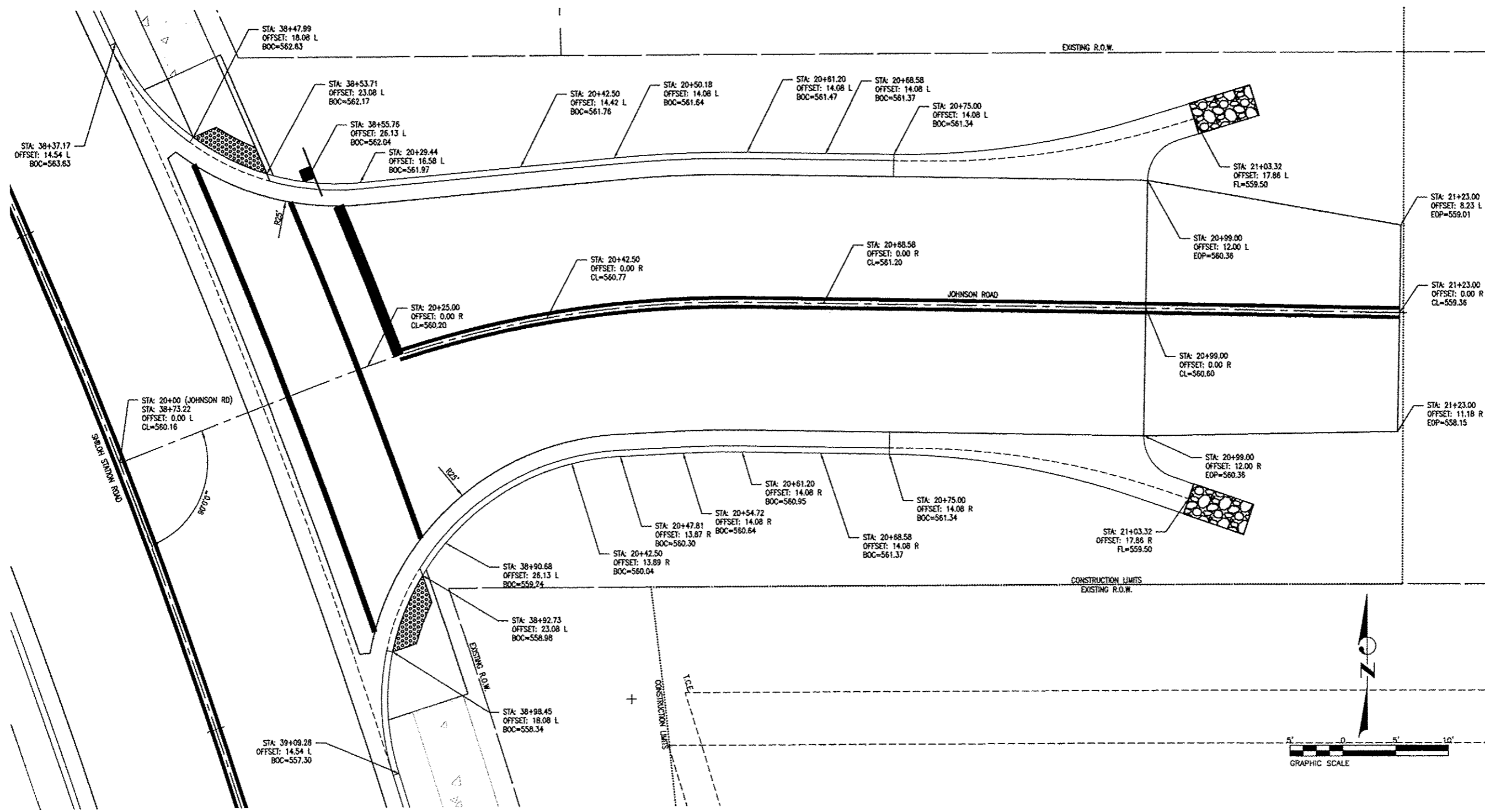
PROFESSIONAL REGISTRATIONS	LICENSE NO.
ILLINOIS PROFESSIONAL DESIGN FIRM	184-011220
PROFESSIONAL ENGINEERING CORP.	02-033370
PROFESSIONAL STRUCTURAL ENGR. CORP.	81-005202
ILLINOIS PROF. LAND SURVEYING CORP.	046-000209
MISSOURI PROFESSIONAL ENGR. CORP.	NC 001528
MISSOURI LAND SURVEYING CORP.	NC 000346

SEAL

Signature: _____
 Expiration Date: _____

STATEMENT OF RESPONSIBILITY
 I hereby confirm that the document herein to be authorized by my seal is restricted to this sheet, and I hereby disclaim any responsibility for all other drawings, specifications, estimates, reports or other documents or instruments relating to or intended to be used for any other part of the architectural, engineering or survey project.

DETAIL OF JOHNSON ROAD



NOTE:
 VILLAGE TO INSTALL SIGNS ALONG JOHNSON ROAD NOTING REDUCED SPEED AHEAD AND SPEED LIMIT OF 20 MPH PRIOR TO OPENING OF CONSTRUCTION ZONE ON JOHNSON ROAD.

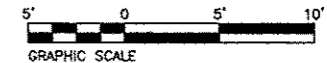
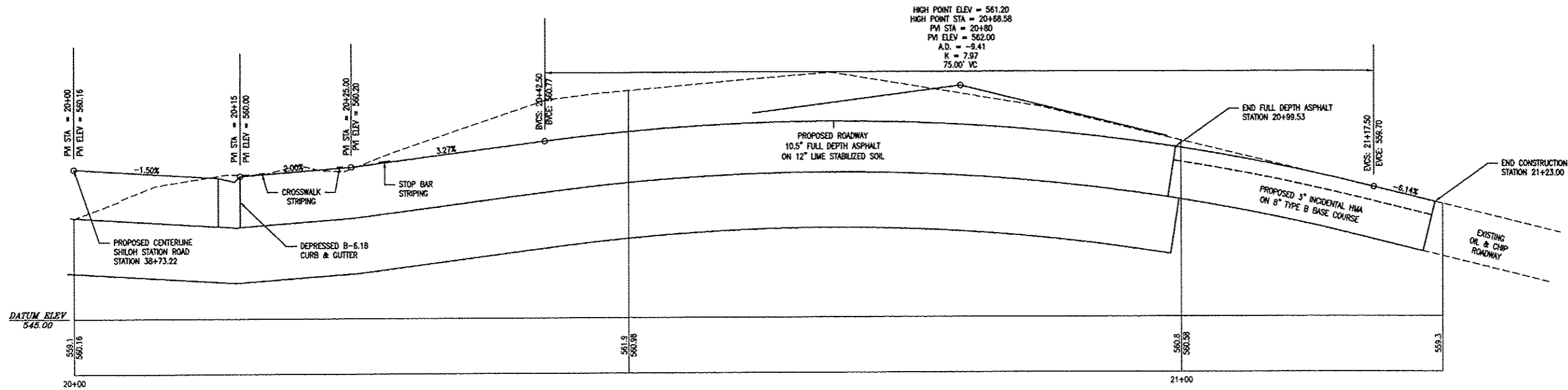
P:\100602\4-C20 - DWG\4-2-TR\Drawings\Phase 3\100602 - Phase 3 - Plan and Profiles, Details, Erosion, Drainage, Retention, Marking and Signage, Mapping.dwg

TITLE: SHILOH STATION ROAD PHASE 3 INTERSECTION AND MISC. DETAILS
PROJECT: SHILOH STATION ROAD RECONSTRUCTION VILLAGE OF SHILOH ST. CLAIR COUNTY, ILLINOIS
 12-0001-03-PV

REV	DATE	DESCRIPTION

DRAWN BY: NTS	SHEET
DESIGNED BY: NTS	17
CHECKED BY:	OF 23 SHEETS
APPROVED BY:	PROJECT DESCRIPTION
PROJECT NUMBER: T01100602	
<input checked="" type="checkbox"/> ISSUED FOR REVIEW	<input type="checkbox"/> ISSUED FOR BIDDING
<input type="checkbox"/> ISSUED FOR CONSTR.	<input type="checkbox"/> RECORD DRAWING

JOHNSON ROAD PROFILE



THOUVENOT, WADE & MOERCHEN, INC.
ENGINEERS ♦ SURVEYORS ♦ PLANNERS



- CORPORATE OFFICE**
4940 OLD COLLINSVILLE RD.
SWANSEA, ILLINOIS 62226
TEL (618) 624-4488
FAX (618) 624-6688
corp@twm-inc.com
- WATERLOO OFFICE**
113 SOUTH MAIN STREET
WATERLOO, ILLINOIS 62298
TEL (618) 939-5050
FAX (618) 939-3938
waterloo@twm-inc.com
- EDWARDSVILLE OFFICE**
1015B CENTURY DRIVE
EDWARDSVILLE, ILLINOIS 62025
TEL (618) 656-4040
FAX (618) 656-4343
edwardsville@twm-inc.com
- ST. CHARLES OFFICE**
400 N. 5TH STREET, SUITE 101
ST. CHARLES, MISSOURI 63301
TEL (636) 724-8300
FAX (636) 724-8304
stlouis@twm-inc.com

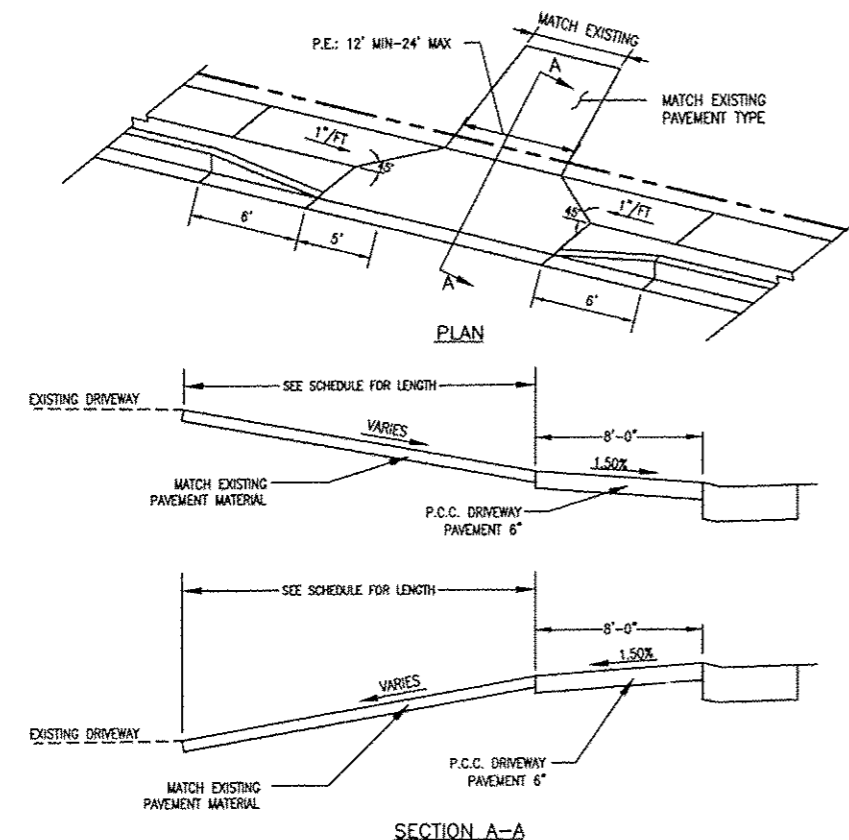
PROFESSIONAL REGISTRATIONS	LICENSE NO.
ILLINOIS PROFESSIONAL DESIGN FIRM	194-001220
PROFESSIONAL ENGINEERING CORP.	02-035370
PROFESSIONAL STRUCTURAL ENGR. CORP.	81-005202
ILLINOIS PROF. LAND SURVEYING CORP.	048-000029
MISSOURI PROFESSIONAL ENGR. CORP.	NO 001528
MISSOURI LAND SURVEYING CORP.	NO 000346

SEAL

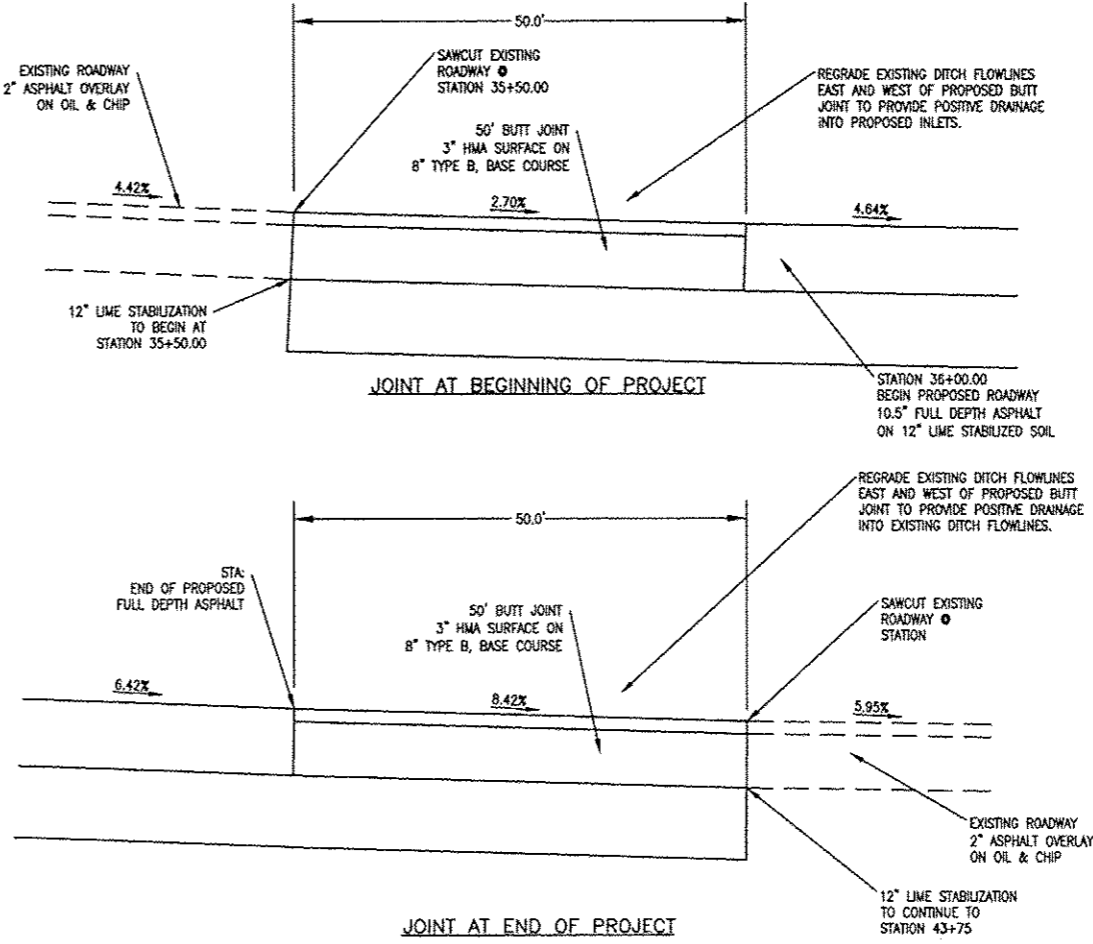
Signature: _____
 Signature Date: _____
 Expiration Date: _____

STATEMENT OF RESPONSIBILITY
 I hereby confirm that the document herein to be authorized by my seal is restricted to this sheet, and I hereby disclaim any responsibility for all other drawings, specifications, estimates, reports or other documents or instruments relating to or intended to be utilized for any other part of the architectural, engineering or survey project.

DETAIL OF PRIVATE ENTRANCES (8' APRON)



- NOTES:
 1. CONCRETE DRIVEWAY PAVEMENT MUST BE PLACED EVEN WITH THE BACK OF SIDEWALK
 2. ALL ENTRANCES INTERSECT THE MAINLINE AT 90 DEGREES



TITLE: SHILOH STATION ROAD PHASE 3 INTERSECTION AND MISC. DETAILS 12-00011-03-PV

PROJECT: SHILOH STATION ROAD RECONSTRUCTION VILLAGE OF SHILOH ST. CLAIR COUNTY, ILLINOIS

REV	DATE	DESCRIPTION

DRAWN BY: NTS	SHEET 18
DESIGNED BY: NTS	OF 23 SHEETS
CHECKED BY:	PROJECT DESCRIPTION
APPROVED BY:	PROJECT NUMBER T01100602
<input checked="" type="checkbox"/> ISSUED FOR REVIEW	<input type="checkbox"/> ISSUED FOR BIDDING
<input type="checkbox"/> ISSUED FOR CONSTR.	<input type="checkbox"/> RECORD DRAWING

P:\100602\4-CADD - DWG\4.2-TR\Drawings\Phase 3\100602 - Phase 3 - Plan and Profiles, Detour, Drainage, Erosion, Marking and Signage, Wapling.dwg

THOUVENOT, WADE & MOERCHEN, INC.
ENGINEERS ♦ SURVEYORS ♦ PLANNERS



- ☑ **CORPORATE OFFICE**
4940 OLD COLLINGSVILLE RD.
SWANSEA, ILLINOIS 62226
TEL (618) 824-4488
FAX (618) 624-6688
corp@twm-inc.com
- ☐ **WATERLOO OFFICE**
113 SOUTH MAIN STREET
WATERLOO, ILLINOIS 62298
TEL (618) 939-5050
FAX (618) 939-3938
waterloo@twm-inc.com
- ☐ **EDWARDSVILLE OFFICE**
10158 CENTURY DRIVE
EDWARDSVILLE, ILLINOIS 62025
TEL (618) 656-4040
FAX (618) 656-4343
edwardsville@twm-inc.com
- ☐ **ST. CHARLES OFFICE**
400 N. 5TH STREET, SUITE 101
ST. CHARLES, MISSOURI 63301
TEL (636) 724-8300
FAX (636) 724-8304
stlouis@twm-inc.com

PROFESSIONAL REGISTRATIONS	LICENSE NO.
ILLINOIS PROFESSIONAL DESIGN FIRM	104-001220
PROFESSIONAL ENGINEERING CORP.	62-033070
PROFESSIONAL STRUCTURAL ENGR. CORP.	81-005202
ILLINOIS PROF. LAND SURVEYING CORP.	048-00028
MISSOURI PROFESSIONAL ENGR. CORP.	NC 001528
MISSOURI LAND SURVEYING CORP.	NC 000346

SCALE

Signature: _____
Expiration Date: _____

STATEMENT OF RESPONSIBILITY
I hereby confirm that the document herein to be authorized by my seal is restricted to this sheet, and I hereby disclaim any responsibility for all other drawings, specifications, estimates, reports or other documents or instruments relating to or intended to be related for any other part of the architectural, engineering or survey project.

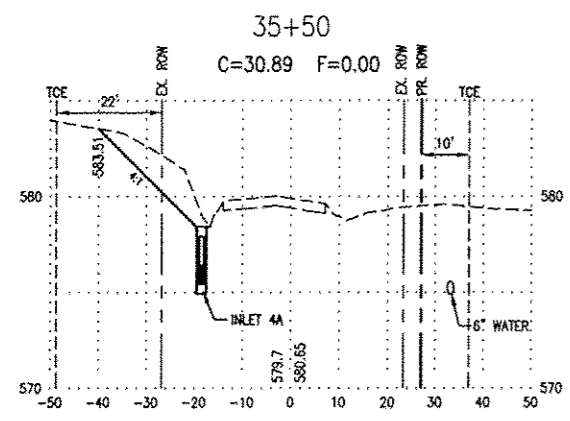
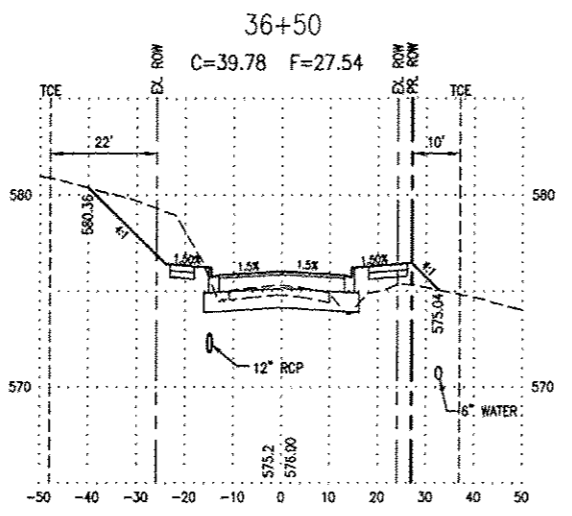
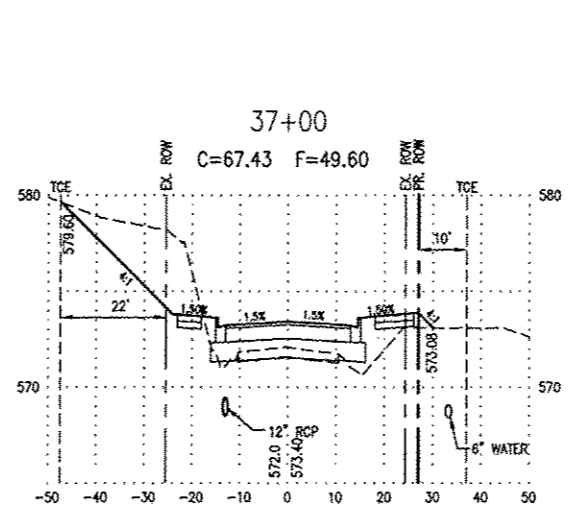
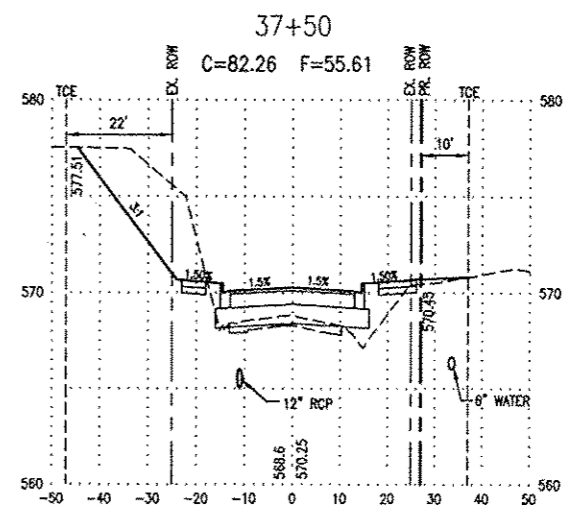
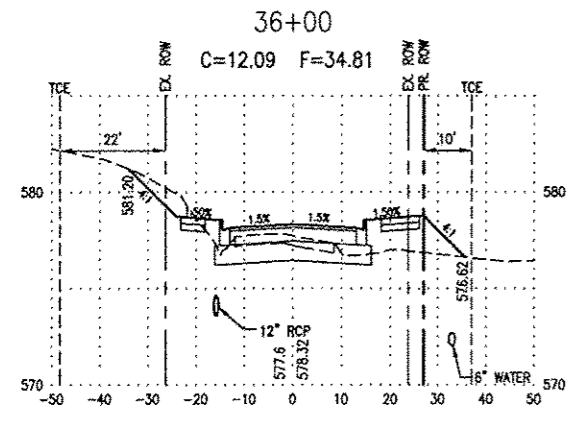
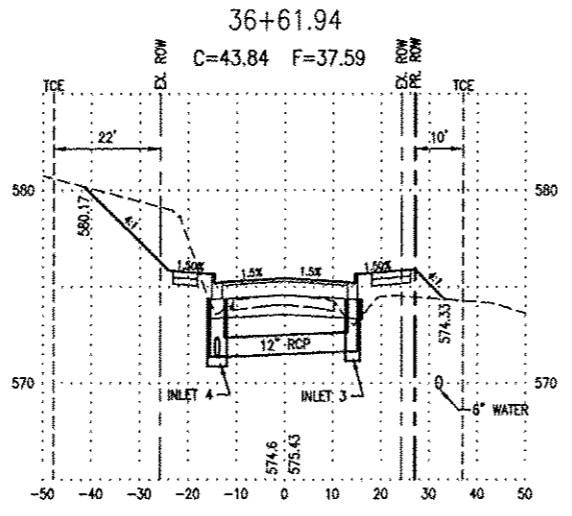
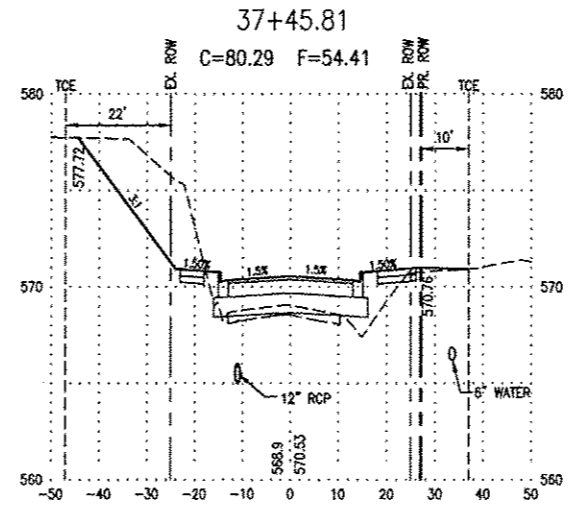
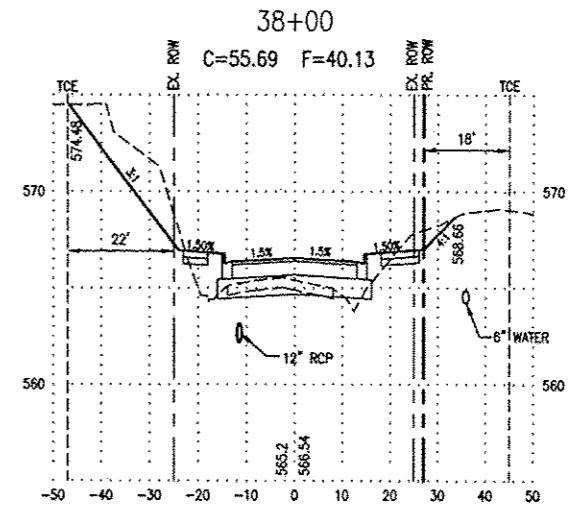
TITLE
SHILOH STATION ROAD PHASE 3
CROSS SECTIONS
12-0001-03-PV

PROJECT:
SHILOH STATION ROAD
RECONSTRUCTION
VILLAGE OF SHILOH
ST. CLAIR COUNTY, ILLINOIS

REV	DATE	DESCRIPTION
△		
△		
△		

DRAWN BY: NTS	SHEET 19 OF 23 SHEETS
DESIGNED BY: NTS	
CHECKED BY:	PROJECT DESCRIPTION
APPROVED BY:	
PROJECT NUMBER: T01100602	

- ☐ ISSUED FOR REVIEW
- ☐ ISSUED FOR BIDDING
- ☐ ISSUED FOR CONSTR.
- ☐ RECORD DRAWING



SCALE
1:4 VERTICAL
1:20 HORIZONTAL

NOTES:
1. ALL STORM SEWER SHOWN IS PROPOSED
2. ALL OTHER UTILITIES SHOWN ARE EXISTING

THOUVENOT, WADE & MOERCHEN, INC.
ENGINEERS • SURVEYORS • PLANNERS



- CORPORATE OFFICE**
4940 OLD COLLINSVILLE RD.
SWANSEA, ILLINOIS 62226
TEL (618) 624-4488
FAX (618) 624-6688
corp@twm-inc.com
- WATERLOO OFFICE**
113 SOUTH MAIN STREET
WATERLOO, ILLINOIS 62298
TEL (618) 939-5050
FAX (618) 939-3938
waterloo@twm-inc.com
- EDWARDSVILLE OFFICE**
1015B CENTURY DRIVE
EDWARDSVILLE, ILLINOIS 62025
TEL (618) 656-4040
FAX (618) 656-4343
edwardsville@twm-inc.com
- ST. CHARLES OFFICE**
400 N. 5TH STREET, SUITE 101
ST. CHARLES, MISSOURI 63301
TEL (636) 724-8300
FAX (636) 724-8304
stlouis@twm-inc.com

PROFESSIONAL REGISTRATIONS	LICENSE NO.
ILLINOIS PROFESSIONAL DESIGN FIRM	184-001220
PROFESSIONAL ENGINEERING CORP.	02-035370
PROFESSIONAL STRUCTURAL ENGR. CORP.	01-005802
ILLINOIS PROF. LAND SURVEYING CORP.	048-000029
MISSOURI PROFESSIONAL ENGR. CORP.	NC 001528
MISSOURI LAND SURVEYING CORP.	NC 000546

SEAL

Signature: _____
Signature Date: _____
Expiration Date: _____

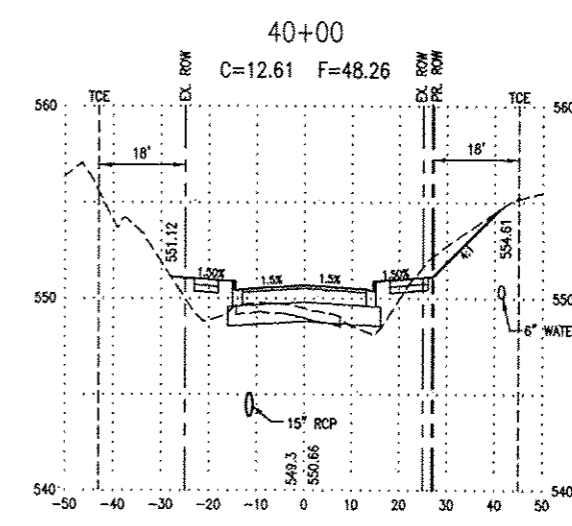
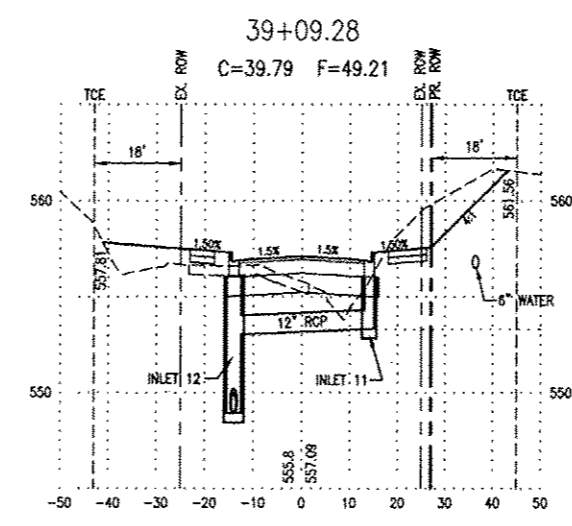
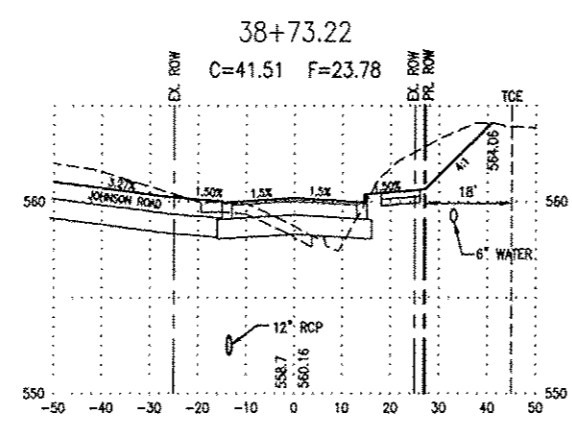
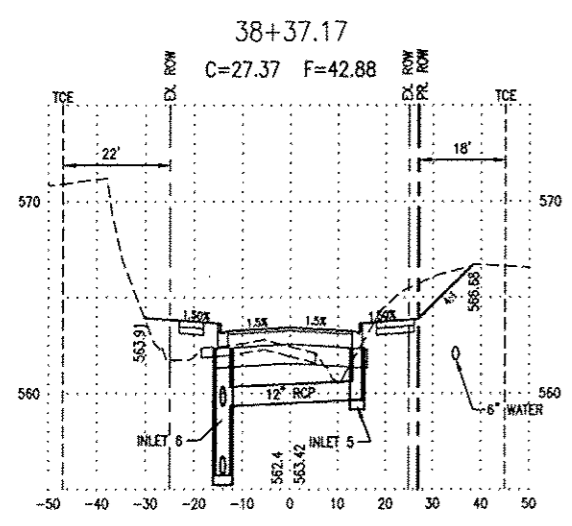
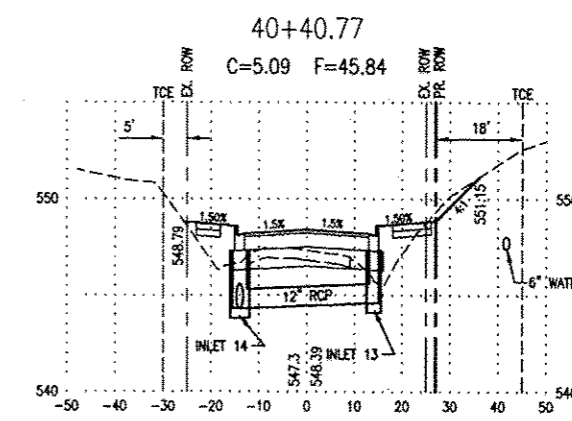
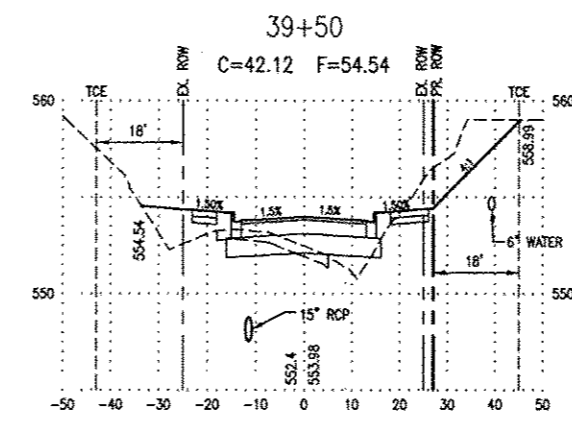
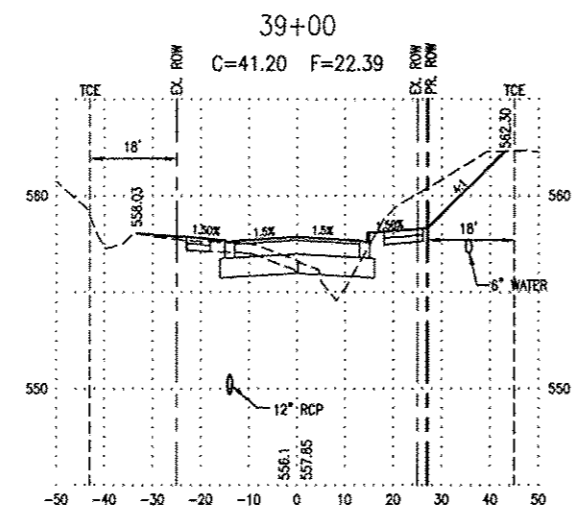
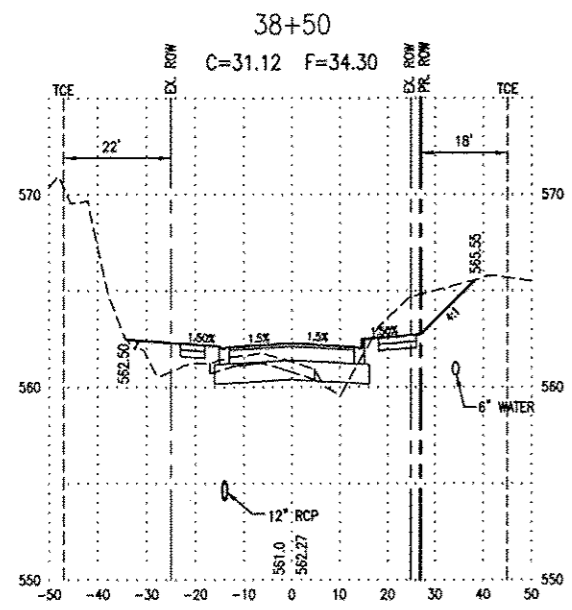
STATEMENT OF RESPONSIBILITY
I hereby confirm that the document herein to be certified by my seal is restricted to this exact, and I hereby disclaim any responsibility for all other drawings, specifications, estimates, reports or other documents or instruments relating to or intended to be used for any other part of the architectural, engineering or survey project.

TITLE: SHILOH STATION ROAD PHASE 3 CROSS SECTIONS 12-00011-03-PV

PROJECT: SHILOH STATION ROAD RECONSTRUCTION VILLAGE OF SHILOH ST. CLAIR COUNTY, ILLINOIS

REV.	DATE	DESCRIPTION

DRAWN BY:	NTS	SHEET
DESIGNED BY:	NTS	20
CHECKED BY:		OF 23 SHEETS
APPROVED BY:		PROJECT DESCRIPTION
PROJECT NUMBER:	T01100802	
<input checked="" type="checkbox"/> ISSUED FOR REVIEW	<input type="checkbox"/> ISSUED FOR BIDDING	
<input type="checkbox"/> ISSUED FOR CONSTR.	<input type="checkbox"/> RECORD DRAWING	



SCALE
1:4 VERTICAL
1:20 HORIZONTAL

NOTES:
1. ALL STORM SEWER SHOWN IS PROPOSED
2. ALL OTHER UTILITIES SHOWN ARE EXISTING

P:\100802\4-CADD - DWG\4-2-TR\Drawings\Phase 3\100802 - Phase 3 - Plan and Profiles, Detail, Drainage, Erosion, Marking and Signage, Workshop.dwg

THOUVENOT, WADE & MOERCHEN, INC.
ENGINEERS • SURVEYORS • PLANNERS



CORPORATE OFFICE
4940 OLD COLLINSVILLE RD.
SWANSEA, ILLINOIS 62228
TEL (618) 624-4488
FAX (618) 624-6688
corp@twm-inc.com

WATERLOO OFFICE
113 SOUTH MAIN STREET
WATERLOO, ILLINOIS 62298
TEL (618) 939-5050
FAX (618) 939-3938
waterloo@twm-inc.com

EDWARDSVILLE OFFICE
1015B CENTURY DRIVE
EDWARDSVILLE, ILLINOIS 62025
TEL (618) 656-4040
FAX (618) 656-4343
edwardsville@twm-inc.com

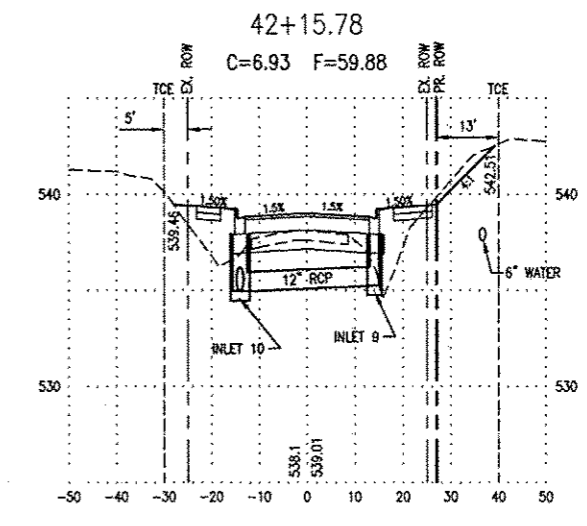
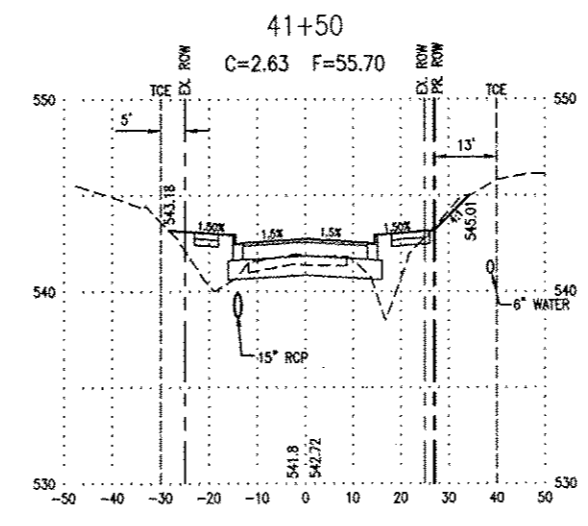
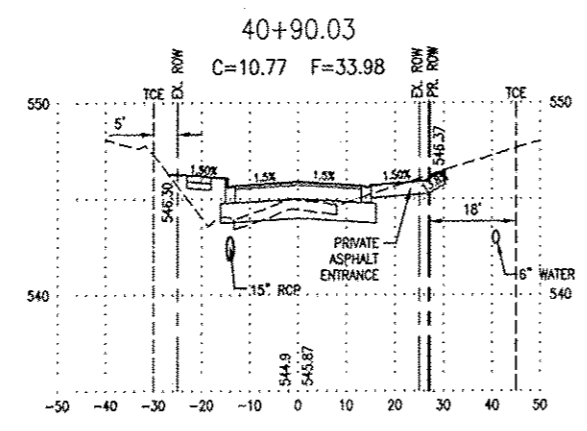
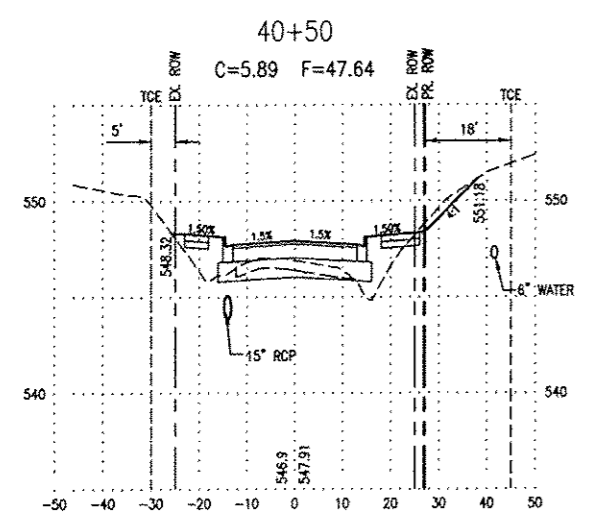
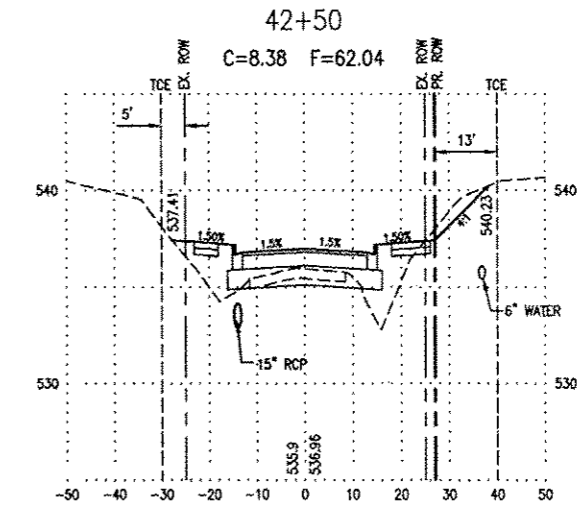
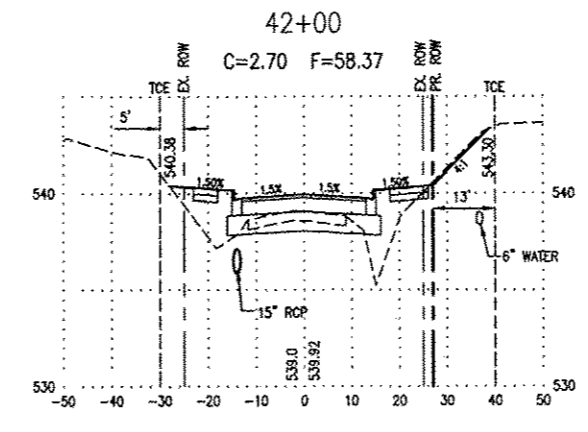
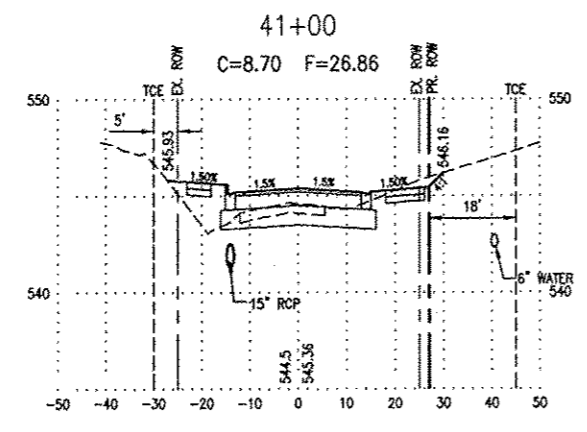
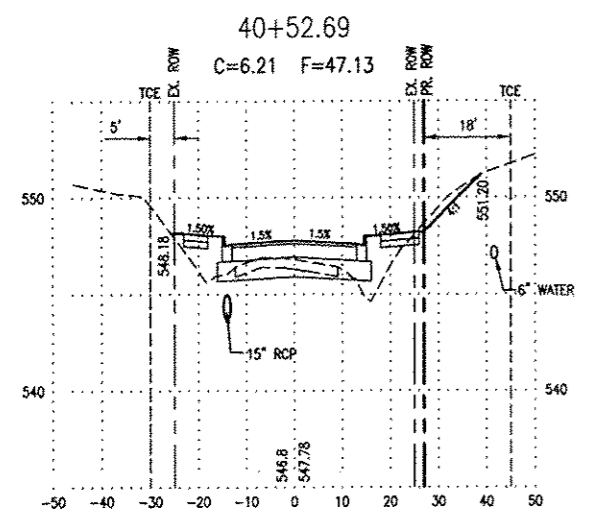
ST. CHARLES OFFICE
400 N. 5TH STREET, SUITE 101
ST. CHARLES, MISSOURI 63301
TEL (636) 724-8300
FAX (636) 724-8304
stlouis@twm-inc.com

PROFESSIONAL REGISTRATIONS	LICENSE NO.
ILLINOIS PROFESSIONAL DESIGN FIRM	164-001220
PROFESSIONAL ENGINEERING CORP.	62-033370
PROFESSIONAL STRUCTURAL ENGR. CORP.	81-005202
ILLINOIS PROF. LAND SURVEYING CORP.	048-000029
MISSOURI PROFESSIONAL ENGR. CORP.	NC 001528
MISSOURI LAND SURVEYING CORP.	NC 000346

SEAL

Signature: _____
Signature Date: _____
Expiration Date: _____

STATEMENT OF RESPONSIBILITY
I hereby confirm that the document herein to be authenticated by my seal is restricted to this sheet, and I hereby disclaim any responsibility for all other drawings, specifications, estimates, reports or other documents or instruments relating to or intended to be utilized for any other part of the architectural, engineering or survey project.



SCALE
1:4 VERTICAL
1:20 HORIZONTAL

NOTES:
1. ALL STORM SEWER SHOWN IS PROPOSED
2. ALL OTHER UTILITIES SHOWN ARE EXISTING

TITLE: **SHILOH STATION ROAD PHASE 3 CROSS SECTIONS 12-0001-03-PV**

PROJECT: **SHILOH STATION ROAD RECONSTRUCTION VILLAGE OF SHILOH ST. CLAIR COUNTY, ILLINOIS**

REV	DATE	DESCRIPTION

DRAWN BY: NTS	SHEET
DESIGNED BY: NTS	21
CHECKED BY:	OF 23 SHEETS
APPROVED BY:	PROJECT DESCRIPTION
PROJECT NUMBER: T01100602	
<input checked="" type="checkbox"/> ISSUED FOR REVIEW	<input type="checkbox"/> ISSUED FOR BIDDING
<input type="checkbox"/> ISSUED FOR CONSTR.	<input type="checkbox"/> RECORD DRAWING

P:\100602\4-CAD\DWG\4-2-11\Drawings\Phase 3\100602 - Phase 3 - Plan and Profiles, Detour, Drainage, Erosion, Marking and Signage, Wierping.dwg

THOUVENOT, WADE & MOERCHEN, INC.
ENGINEERS • SURVEYORS • PLANNERS



CORPORATE OFFICE
4940 OLD COLLINSVILLE RD.
SWANSEA, ILLINOIS 62226
TEL (618) 624-4488
FAX (618) 624-6688
corp@twm-inc.com

WATERLOO OFFICE
113 SOUTH MAIN STREET
WATERLOO, ILLINOIS 62298
TEL (618) 939-5050
FAX (618) 939-3938
waterloo@twm-inc.com

EDWARDSVILLE OFFICE
1015B CENTURY DRIVE
EDWARDSVILLE, ILLINOIS 62025
TEL (618) 656-4040
FAX (618) 656-4343
edwardsville@twm-inc.com

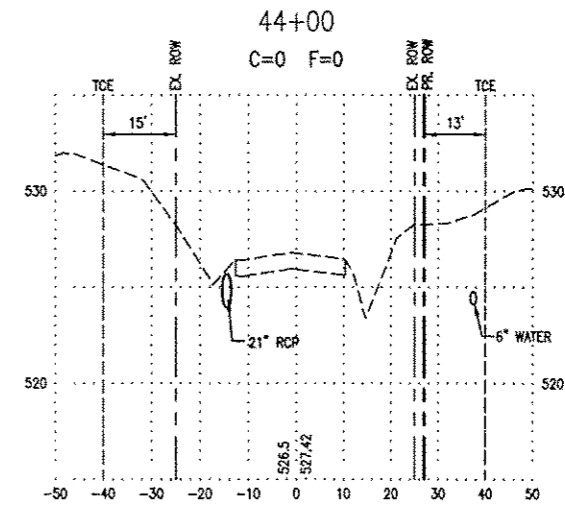
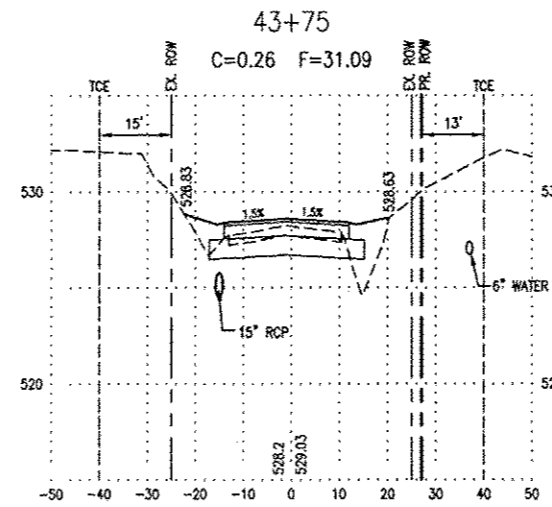
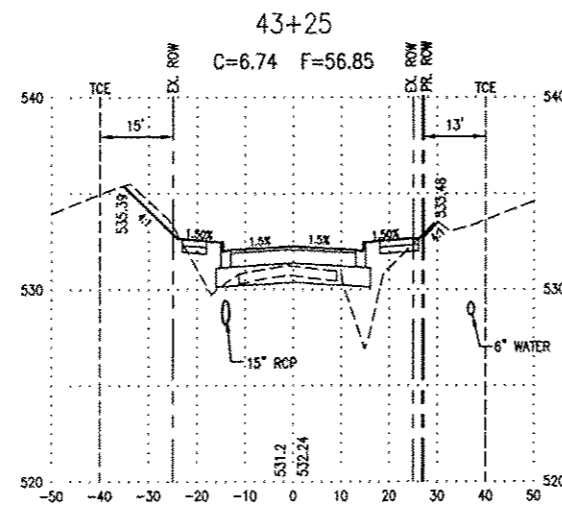
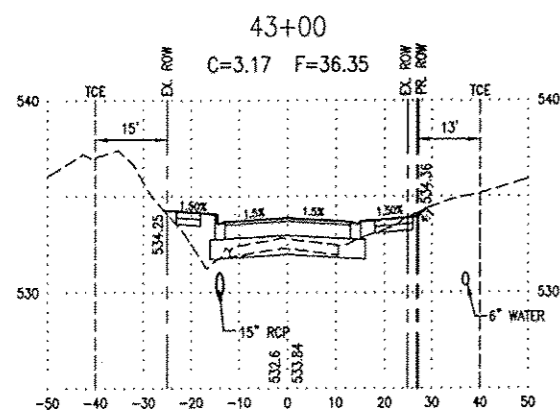
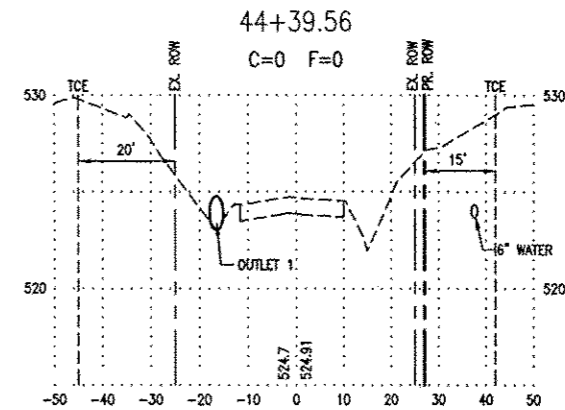
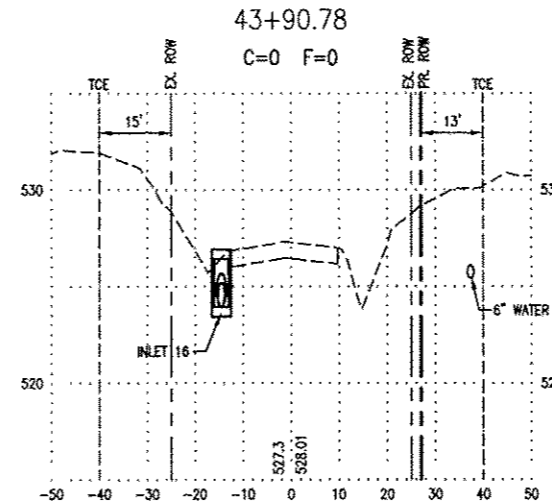
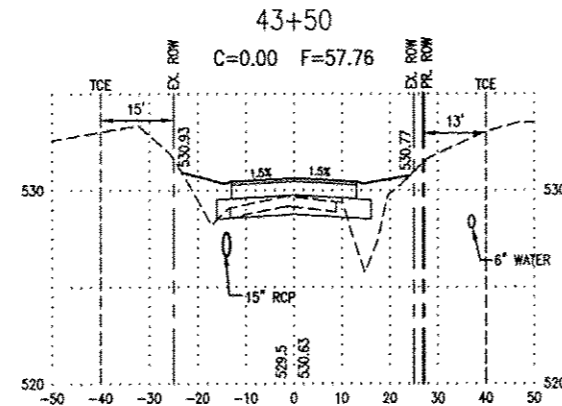
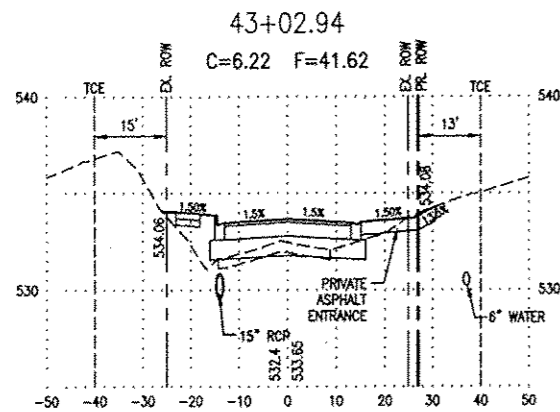
ST. CHARLES OFFICE
400 N. 5TH STREET, SUITE 101
ST. CHARLES, MISSOURI 63301
TEL (636) 724-8300
FAX (636) 724-8304
stlouis@twm-inc.com

PROFESSIONAL REGISTRATIONS	LICENSE NO.
ILLINOIS PROFESSIONAL DESIGN FIRM	184-001220
PROFESSIONAL ENGINEERING CORP.	62-033710
PROFESSIONAL STRUCTURAL ENGR. CORP.	81-005202
ILLINOIS PROF. LAND SURVEYING CORP.	040-000028
MISSOURI PROFESSIONAL ENGR. CORP.	NC 001528
MISSOURI LAND SURVEYING CORP.	NC 000348

SEAL

Signature: _____
 Signature Date: _____
 Engineer Date: _____

STATEMENT OF RESPONSIBILITY
 I hereby confirm that the document herein to be authorized by my seal is restricted to this sheet, and I hereby disclaim any responsibility for all other drawings, specifications, estimates, reports or other documents or instruments relating to or intended to be utilized for any other part of the architecture, engineering or survey project.



SCALE
 1" = 4' VERTICAL
 1" = 20' HORIZONTAL

NOTES:
 1. ALL STORM SEWER SHOWN IS PROPOSED
 2. ALL OTHER UTILITIES SHOWN ARE EXISTING

TITLE: **SHILOH STATION ROAD PHASE 3 CROSS SECTIONS 12-00011-03-PV**

PROJECT: **SHILOH STATION ROAD RECONSTRUCTION VILLAGE OF SHILOH ST. CLAIR COUNTY, ILLINOIS**

REV	DATE	DESCRIPTION

DRAWN BY: NTS	SHEET
DESIGNED BY: NTS	22
CHECKED BY:	OF 23 SHEETS
APPROVED BY:	PROJECT DESCRIPTION
PROJECT NUMBER T01100602	
<input type="checkbox"/> ISSUED FOR REVIEW	<input type="checkbox"/> ISSUED FOR BIDDING
<input type="checkbox"/> ISSUED FOR CONSTR.	<input type="checkbox"/> RECORD DRAWING

**THOUVENOT,
WADE &
MOERCHEN, INC.**
ENGINEERS ♦ SURVEYORS ♦ PLANNERS



CORPORATE OFFICE

4940 OLD COLLINSVILLE RD.
SWANSEA, ILLINOIS 62226
TEL (618) 824-4488
FAX (618) 824-6688
corp@twm-inc.com

WATERLOO OFFICE

113 SOUTH MAIN STREET
WATERLOO, ILLINOIS 62298
TEL (618) 939-5050
FAX (618) 939-3938
waterloo@twm-inc.com

EDWARDSVILLE OFFICE

1015B CENTURY DRIVE
EDWARDSVILLE, ILLINOIS 62025
TEL (618) 656-4040
FAX (618) 656-4343
edwardsville@twm-inc.com

ST. CHARLES OFFICE

400 N. 5TH STREET, SUITE 101
ST. CHARLES, MISSOURI 63301
TEL (636) 724-8300
FAX (636) 724-8304
stlouis@twm-inc.com

PROFESSIONAL REGISTRATIONS	LICENSE NO.
ILLINOIS PROFESSIONAL DESIGN FIRM	184-001220
PROFESSIONAL ENGINEERING CORP.	62-035370
PROFESSIONAL STRUCTURAL ENGR. CORP.	81-005202
ILLINOIS PROF. LAND SURVEYING CORP.	048-000229
MISSOURI PROFESSIONAL ENGR. CORP.	HC 001528
MISSOURI LAND SURVEYING CORP.	HC 000346

SEAL

Signature: _____
Signature Date: _____
Expiration Date: _____

STATEMENT OF RESPONSIBILITY

I hereby confirm that the document herein to be authorized by my seal is restricted to this sheet, and I hereby disclaim any responsibility for all other drawings, specifications, estimates, reports or other documents or instruments relating to or intended to be utilized for any other part of the architectural, engineering or survey project.

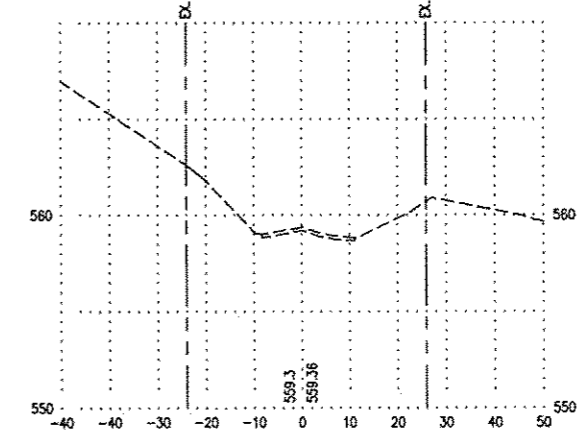
TITLE: **SHILOH STATION ROAD PHASE 3
JOHNSON ROAD CROSS SECTIONS
12-00011-03-PV**

PROJECT: **SHILOH STATION ROAD
RECONSTRUCTION
VILLAGE OF SHILOH
ST. CLAIR COUNTY, ILLINOIS**

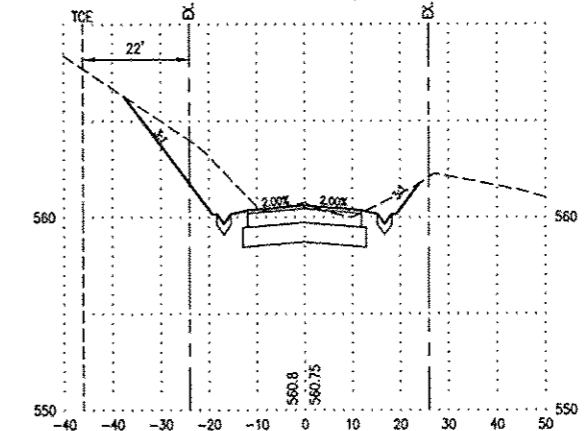
REV	DATE	DESCRIPTION

DRAWN BY: NTS	SHEET
DESIGNED BY: NTS	23
CHECKED BY:	OF 23 SHEETS
APPROVED BY:	PROJECT DESCRIPTION
PROJECT NUMBER T01100602	
<input checked="" type="checkbox"/> ISSUED FOR REVIEW	<input type="checkbox"/> ISSUED FOR BIDDING
<input type="checkbox"/> ISSUED FOR CONSTR.	<input type="checkbox"/> RECORD DRAWING

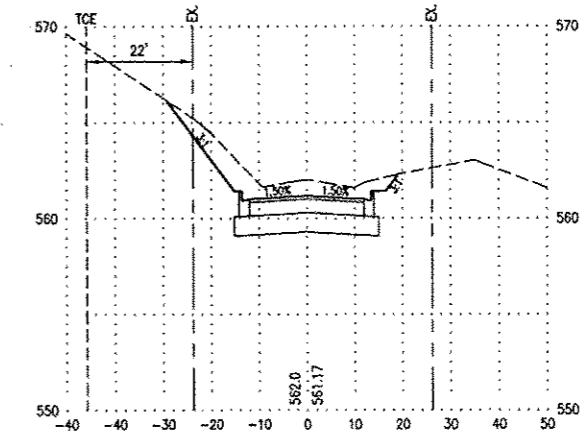
21+23.68
C=0.00 F=0.00



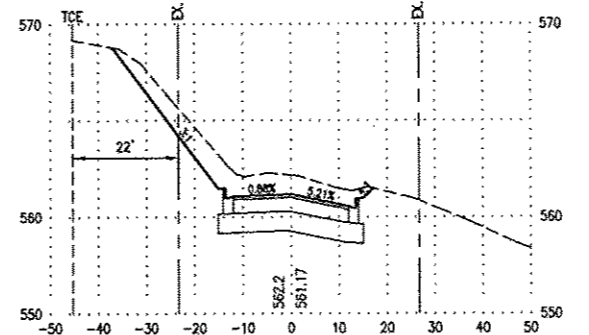
21+00
C=70.74 F=0.05



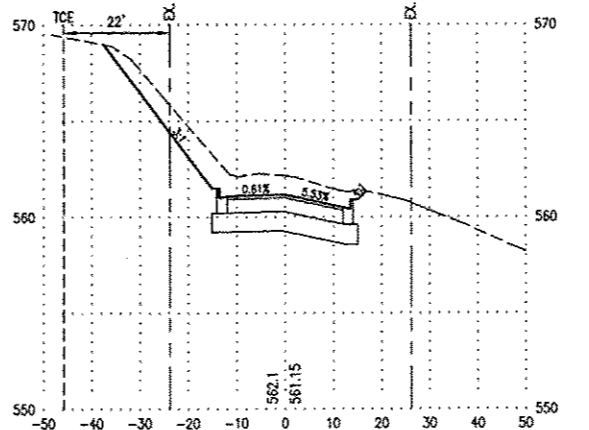
20+75
C=66.92 F=0.00



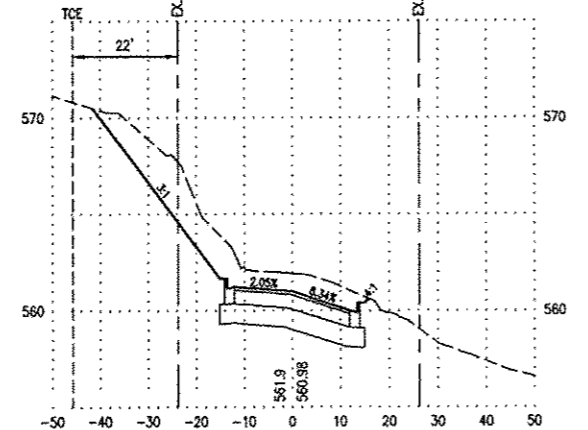
20+61.20
C=83.26 F=0.00



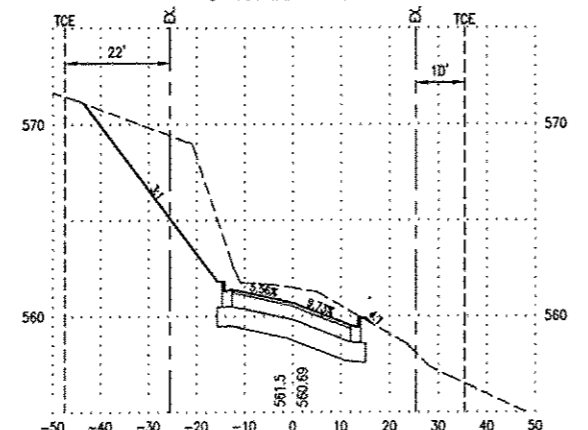
20+60
C=84.72 F=0.00



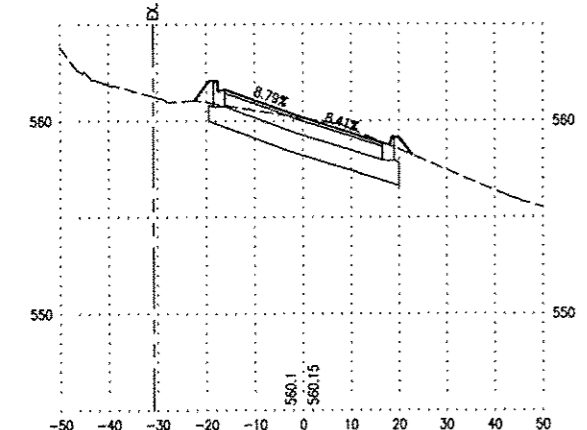
20+50
C=112.26 F=0.00



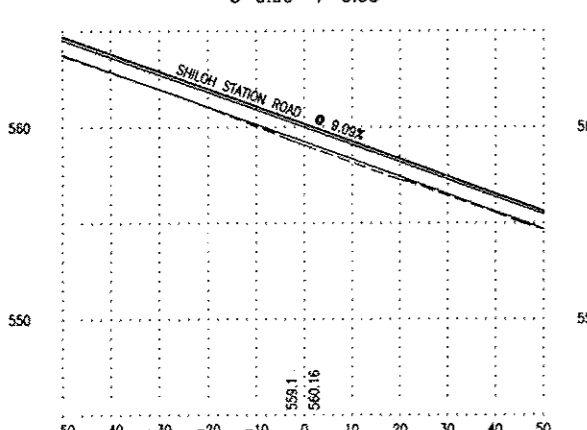
20+40
C=137.36 F=0.12



20+25
C=27.13 F=4.21



20+00
C=0.00 F=0.00



SCALE
1:4 VERTICAL
1:20 HORIZONTAL

NOTES:
1. ALL STORM SEWER SHOWN IS PROPOSED
2. ALL OTHER UTILITIES SHOWN ARE EXISTING

P:\100602\4-CADD - DWG\4-TR\Drawings\Phase 3\100602 - Phase 3 - Plan and Profiles, Detour, Drainage, Erosion, Marking and Signage, Mapping.dwg