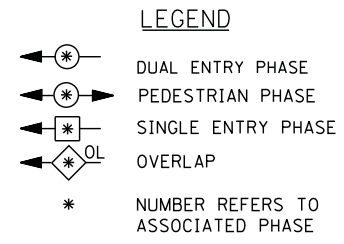
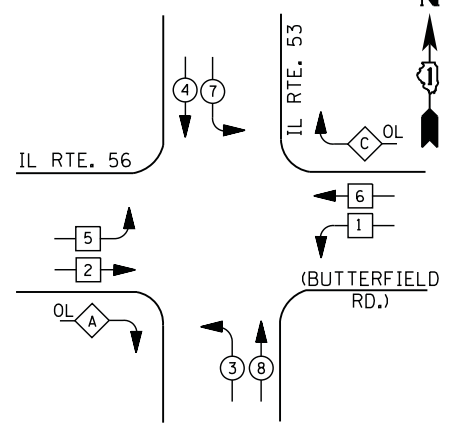


CONTROLLER SEQUENCE

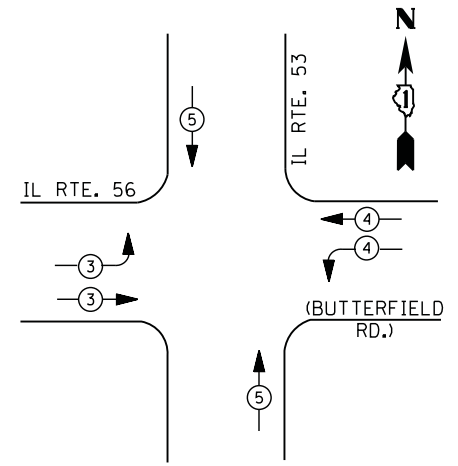


- ① REPLACE 14 FT. PAINTED POST. RE-USE EXISTING TYPE A CONCRETE FOUNDATION.
- ② REPLACE 15 FT. PAINTED POST. RE-USE EXISTING TYPE A CONCRETE FOUNDATION.
- ③ REPLACE 16 FT. PAINTED POST. RE-USE EXISTING TYPE A CONCRETE FOUNDATION.
- ④ REPLACE 18 FT. PAINTED POST. RE-USE EXISTING TYPE A CONCRETE FOUNDATION.

RIGHT TURN OVERLAP PHASE DESIGNATION

| OVERLAP LETTER | PERMISSIVE PHASE | PROTECTED PHASE |
|----------------|------------------|-----------------|
| A | = 2 | + 3 |
| C | = 6 | + 7 |

PHASE DESIGNATION DIAGRAM



EMERGENCY VEHICLE PREEMPTION SEQUENCE

| EMERGENCY VEHICLE PREEMPTORS | | | |
|------------------------------|---|---|---|
| EMERGENCY VEHICLE PREEMPTOR | 3 | 4 | 5 |
| MOVEMENT | | | |

I. D. O. T. TRAFFIC SIGNAL INSTALLATION ELECTRICAL SERVICE REQUIREMENTS

| TYPE | NO. LAMPS | WATTAGE | | % OPERATIONS | TOTAL WATTAGE |
|----------------|-----------|---------|-----|--------------|---------------|
| | | INCAND. | LED | | |
| SIGNAL (RED) | 18 | 135 | 17 | 0.50 | 153 |
| (YELLOW) | 18 | 135 | 25 | 0.25 | 113 |
| (GREEN) | 18 | 135 | 15 | 0.25 | 68 |
| ARROW | 16 | 135 | 12 | 0.10 | 20 |
| PED. SIGNAL | -- | 90 | 25 | 1.00 | -- |
| CONTROLLER | 1 | 100 | 100 | 1.00 | 100 |
| ILLUM. SIGN | | 252 | 25 | 0.05 | -- |
| VIDEO SYSTEM | | 150 | - | 1.00 | -- |
| TOTAL = | | | | | 454 |

ENERGY COSTS- BILLED TO: IDOT DISTRICT 1
201 WEST CENTER COURT
SCHAUMBURG, IL 60196-1096

ENERGY SUPPLY - CONTACT JOE STACHO
PHONE 630-424-5704
COMMONWEALTH EDISON

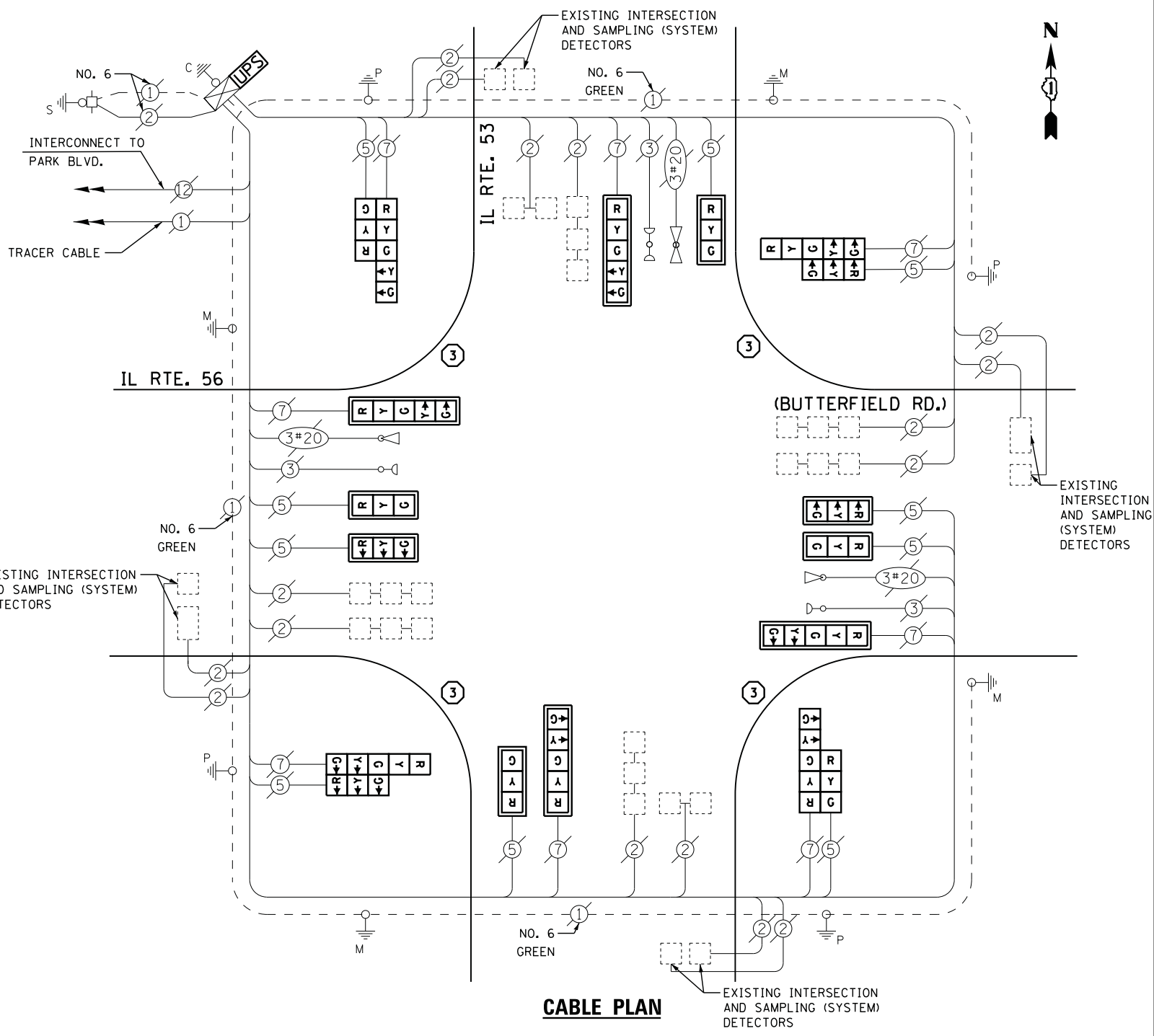
SCHEDULE OF QUANTITIES

| QUANTITY | UNIT | ITEM |
|----------|------|---|
| 1 | EACH | MAINTENANCE OF EXISTING TRAFFIC SIGNAL INSTALLATION |
| 4 | EACH | TRAFFIC SIGNAL POST, GALVANIZED STEEL 16 FT. |
| 6 | EACH | SIGNAL HEAD, LED, 1-FACE, 3-SECTION, MAST-ARM MOUNTED |
| 4 | EACH | SIGNAL HEAD, LED, 1-FACE, 5-SECTION, MAST-ARM MOUNTED |
| 4 | EACH | SIGNAL HEAD, LED, 2-FACE, 1-3 SECTION, 1-5 SECTION, BRACKET MOUNTED |
| 10 | EACH | TRAFFIC SIGNAL BACKPLATE, LOUVERED, ALUMINUM |
| 1 | EACH | MODIFY EXISTING CONTROLLER CABINET |
| 1 | EACH | REMOVE EXISTING TRAFFIC SIGNAL EQUIPMENT |
| 1 | EACH | UNINTERRUPTABLE POWER SUPPLY, SPECIAL |

REMOVAL OF EXISTING TRAFFIC SIGNAL EQUIPMENT

THE FOLLOWING ITEMS SHALL BE REMOVED BY THE CONTRACTOR AND SHALL BE DISPOSED OF BY THEM OUTSIDE THE RIGHT-OF-WAY AT THEIR EXPENSE. THE SALVAGE VALUE OF THE REMOVED EQUIPMENT SHALL BE REFLECTED IN THE CONTRACT BID PRICE.

| | | |
|----|------|---|
| 6 | EACH | SIGNAL HEAD, 1 - FACE, 3 - SECTION |
| 4 | EACH | SIGNAL HEAD, 1 - FACE, 5 - SECTION |
| 4 | EACH | SIGNAL HEAD, 2 - FACE, 1-3 SECTION, 1-5-SECTION |
| 10 | EACH | TRAFFIC SIGNAL BACKPLATE |
| 4 | EACH | SIGNAL POST |



CABLE PLAN

UPS SHALL BE INSTALLED ON LEFT SIDE OF CONTROLLER CABINET DUE TO PHYSICAL CONSTRAINT, OR AS DIRECTED BY THE ENGINEER

| | | | |
|---|----------------------|---------------|-----------|
| FILE NAME = | USER NAME = *USER* | DESIGNED - DW | REVISED - |
| N:\Projects\3\12062\DesignCAD\Sheet Files\7835_CAB_DUPAGE.dgn | | DRAWN - JDH | REVISED - |
| | PLOT SCALE = *SCALE* | CHECKED - KMM | REVISED - |
| | PLOT DATE = 2/5/2013 | DATE - | REVISED - |

STATE OF ILLINOIS DEPARTMENT OF TRANSPORTATION

| IL ROUTE 56 AT IL ROUTE 53 SCHEDULE OF QUANTITIES, CABLE PLAN, PHASE DESIGNATION DIAGRAM AND EMERGENCY VEHICLE PREEMPTION SEQUENCE | | | |
|--|-----------|-----------|--------------|
| SCALE: N.T.S. | SHEET NO. | OF SHEETS | STA. TO STA. |
| | | | |

| F.A. RTE. | SECTION | COUNTY | TOTAL SHEETS | SHEET NO. |
|---------------------------|------------|--------|--------------|--------------------|
| | 2012-082TS | DUPAGE | 88 | 37 |
| ILLINOIS FED. AID PROJECT | | | | CONTRACT NO. 60W00 |

TS# 7835
GLEN ELLYN