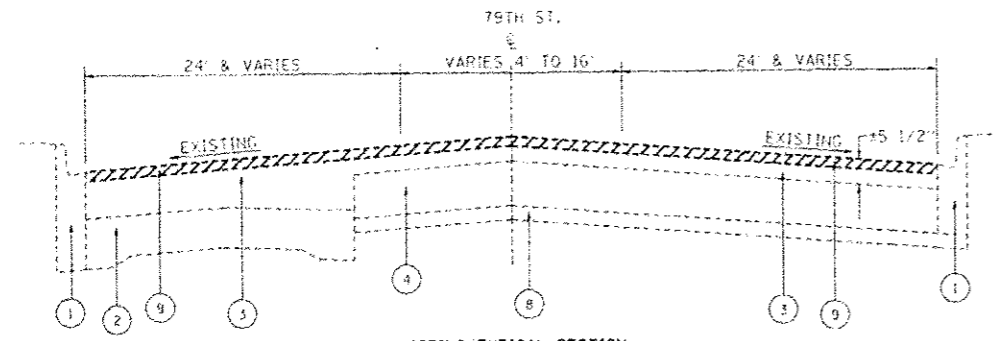


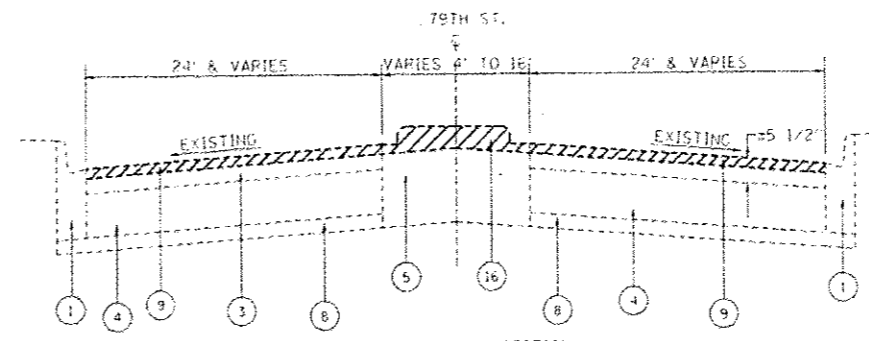
SUMMARY OF QUANTITIES			URBAN 100% STATE TOTAL QUANTITIES		CONSTRUCTION TYPE CODE				
CODE NO	ITEM	UNIT		ROADWAY					
				0005					
40600200	BITUMINOUS MATERIALS (PRIME COAT)	TON	84	84					
40600300	AGGREGATE (PRIME COAT)	TON	379	379					
40600400	MIXTURE FOR CRACKS, JOINTS, AND FLANGEWAYS	TON	57	57					
40600827	POLYMERIZED LEVELING BINDER (MACHINE METHOD), IL-4, 75, N50	TON	7944	7944					
40600895	CONSTRUCTING TEST STRIP	EACH	2	2					
40600982	HOT-MIX ASPHALT SURFACE REMOVAL - BUTT JOINT	SO YD	845	845					
40601005	HOT-MIX ASPHALT REPLACEMENT OVER PATCHES	TON	334	334					
40603335	HOT-MIX ASPHALT SURFACE COURSE, MIX "D", N50	TON	14	14					
40603595	POLYMERIZED HOT-MIX ASPHALT SURFACE COURSE, MIX "F", N90	TON	18,975	18,975					
42001300	PROTECTIVE COAT	SO YD	325	325					
44000156	HOT-MIX ASPHALT SURFACE REMOVAL, 1 3/4"	SO YD	6649	6649					
44000159	HOT-MIX ASPHALT SURFACE REMOVAL, 2 1/2"	SO YD	188511	188511					
44000200	DRIVEWAY PAVEMENT REMOVAL	SO YD	123	123					

SUMMARY OF QUANTITIES			URBAN 100% STATE TOTAL QUANTITIES		CONSTRUCTION TYPE CODE				
CODE NO	ITEM	UNIT		ROADWAY					
				0005					
44002222	HOT-MIX ASPHALT REMOVAL OVER PATCHES, 5 1/2"	SO YD	1083	1083					
44201749	CLASS D PATCHES, TYPE I, 9 INCH	SO YD	160	160					
44201753	CLASS D PATCHES, TYPE II, 9 INCH	SO YD	201	201					
44201757	CLASS D PATCHES, TYPE III, 9 INCH	SO YD	123	123					
44201759	CLASS D PATCHES, TYPE IV, 9 INCH	SO YD	500	500					
48102100	AGGREGATE WEDGE SHOULDER, TYPE B	TON	46	46					
67000400	ENGINEER'S FIELD OFFICE, TYPE A	CAL MO	6	6					
67100100	MOBILIZATION	L SUM	1	1					
70100420	TRAFFIC CONTROL AND PROTECTION, STANDARD 701411	EACH	1	1					
70102625	TRAFFIC CONTROL AND PROTECTION, STANDARD 701606	L SUM	1	1					
70102630	TRAFFIC CONTROL AND PROTECTION, STANDARD 701601	L SUM	1	1					
70102632	TRAFFIC CONTROL AND PROTECTION, STANDARD 701602	L SUM	1	1					
70102635	TRAFFIC CONTROL AND PROTECTION, STANDARD 701701	L SUM	1	1					

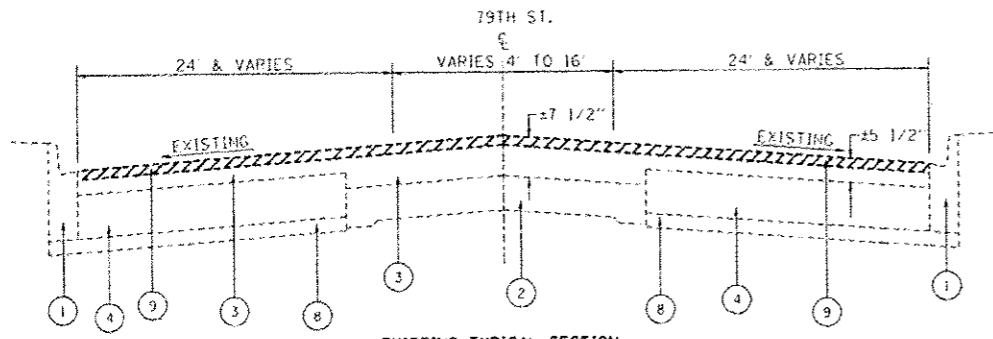
SUMMARY OF QUANTITIES				URBAN 100% STATE TOTAL QUANTITIES					CONSTRUCTION TYPE CODE				
CODE NO	ITEM	UNIT		ROADWAY									
				0005									
70300100	SHORT TERM PAVEMENT MARKING	FOOT	42126	42126									
70300210	TEMPORARY PAVEMENT MARKING LETTERS AND SYMBOLS	SO FT	3469	3469									
70300220	TEMPORARY PAVEMENT MARKING - LINE 4"	FOOT	42,469	42,469									
70300240	TEMPORARY PAVEMENT MARKING - LINE 6"	FOOT	15,627	15,627									
70300250	TEMPORARY PAVEMENT MARKING - LINE 8"	FOOT	388	388									
70300260	TEMPORARY PAVEMENT MARKING - LINE 12"	FOOT	2300	2300									
70300280	TEMPORARY PAVEMENT MARKING - LINE 24"	FOOT	1641	1641									
70301000	WORK ZONE PAVEMENT MARKING REMOVAL	SO FT	14042	14042									
*78000100	THERMOPLASTIC PAVEMENT MARKING - LETTERS AND SYMBOLS	SO FT	3469	3469									
*78000200	THERMOPLASTIC PAVEMENT MARKING - LINE 4"	FOOT	42,469	42,469									
*78000400	THERMOPLASTIC PAVEMENT MARKING - LINE 6"	FOOT	15,627	15,627									
*78000500	THERMOPLASTIC PAVEMENT MARKING - LINE 8"	FOOT	388	388									
*78000600	THERMOPLASTIC PAVEMENT MARKING - LINE 12"	FOOT	2300	2300									
*78000650	THERMOPLASTIC PAVEMENT MARKING - LINE 24"	FOOT	1641	1641									
*78100100	RAISED REFLECTIVE PAVEMENT MARKER	EACH	2121	2121									
78300100	PAVEMENT MARKING REMOVAL	SO FT	168	168									
78300200	RAISED REFLECTIVE PAVEMENT MARKER REMOVAL	EACH	1273	1273									
*88600600	DETECTOR LOOP REPLACEMENT	FOOT	5452	5452									
X2020110	GRADING AND SHAPING SHOULDERS	UNIT	14	14									
X6030310	FRAMES AND LIDS TO BE ADJUSTED (SPECIAL)	EACH	46	46									
Z0004562	COMBINATION CONCRETE CURB AND GUTTER REMOVAL AND REPLACEMENT	FOOT	975	975									
Z0018500	DRAINAGE STRUCTURES TO BE CLEANED	EACH	10	10									
Z0030850	TEMPORARY INFORMATION SIGNING	SO FT	51.4	51.4									
<del>Z0076600</del>	<del>TRAINEES</del>	<del>HOUR</del>	<del>1000</del>	<del>1000</del>									
Z0076604	TRAINEES - TRAINING PROGRAM GRADUATE	HOUR	1000	1000									
44003510	MEDIAN REMOVAL PARTIAL DEPTH	SQ FT	40,380	40,380									



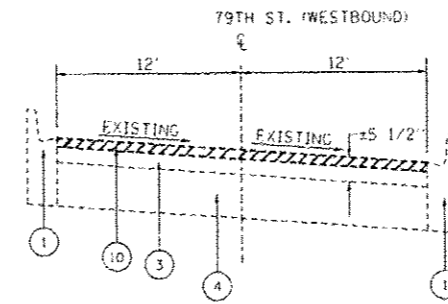
EXISTING TYPICAL SECTION  
STA. 21+00 TO STA. 68+65



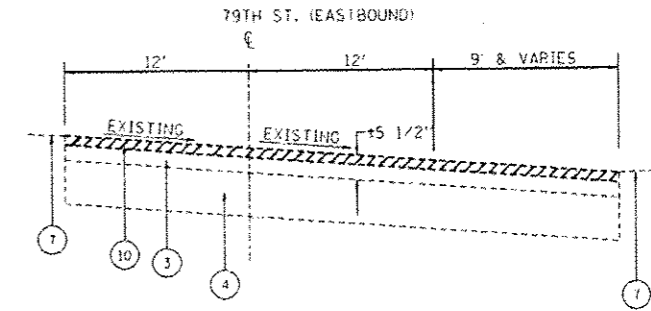
EXISTING TYPICAL SECTION  
STA. 68+55 TO STA. 79+76  
STA. 90+55 TO STA. 98+18  
STA. 101+34 TO STA. 109+24  
STA. 121+30 TO STA. 143+00  
STA. 173+40 TO STA. 186+00  
STA. 236+00 TO STA. 246+00



EXISTING TYPICAL SECTION  
STA. 79+76 TO STA. 90+55  
STA. 109+24 TO STA. 121+30  
STA. 143+00 TO STA. 173+40  
STA. 186+00 TO STA. 236+00  
STA. 246+00 TO STA. 285+19



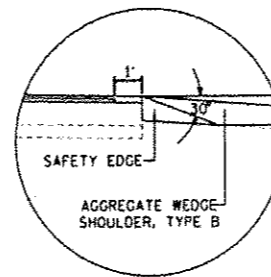
EXISTING TYPICAL SECTION  
STA. 10+51 TO STA. 21+00



EXISTING TYPICAL SECTION  
STA. 10+51 TO STA. 21+00

**LEGEND**

1. EXISTING COMBINATION CONCRETE CURB AND GUTTER
2. EXISTING P.C. CONCRETE PAVEMENT ± 9"
3. EXISTING HMA SURFACE COURSE
4. EXISTING P.C.C. BASE COURSE, 9"
5. EXISTING P.C.C. BARRIER OR CORRUGATED MEDIAN
6. EXISTING P.C.C. SIDEWALK
7. EXISTING AGGREGATE OR GRASS SHOULDER
8. EXISTING SUB-BASE GRANULAR MATERIAL, 6"
9. PROPOSED HMA SURFACE REMOVAL, 2 1/2"
10. PROPOSED HMA SURFACE REMOVAL, 1 3/4"
11. PROPOSED AGGREGATE WEDGE SHOULDER, TYPE B
12. PROPOSED GRADING AND SHAPING SHOULDERS (WHERE NECESSARY)
13. PROPOSED POLYMERIZED LEVELING BINDER (MACHINE METHOD), IL-4.75, N50, 3/4"
14. PROPOSED POLYMERIZED HMA SURFACE COURSE, MIX "F", N90, 1 3/4"
15. PROPOSED COMBINATION CONCRETE CURB AND GUTTER
16. PROPOSED CORRUGATED MEDIAN REMOVAL PARTIAL DEPTH



SAFETY EDGE DETAIL

**NOTE**

THE CONTRACTOR SHALL PATCH FIRST BEFORE MILLING

HOT-MIX ASPHALT MIXTURE REQUIREMENTS	
MIXTURE TYPE	AIR VOIDS(%) @ Ndes
<b>PAVEMENT RESURFACING</b>	
● POLYMERIZED HMA SURFACE COURSE, MIX "F", N90 (IL 9.5 mm)	4% @ 90 GYR.
POLYMERIZED LEVELING BINDER (MM), IL-4.75, N50	3.5% @ 50 GYR.
<b>PATCHING</b>	
CLASS D PATCHES (HMA BINDER IL-19 mm)	4% @ 70 GYR.
HMA REPLACEMENT OVER PATCHES (HMA BINDER IL-19 mm)	4% @ 70 GYR.
<b>DRIVEWAYS</b>	
HMA SURFACE COURSE, MIX "D", N50 (IL 9.5 mm), 2"	4% @ 50 GYR.
<b>SHOULDERS &amp; RAMPS</b>	
POLYMERIZED HMA SURFACE COURSE, MIX "F", N90 (IL 9.5 mm)	4% @ 90 GYR.

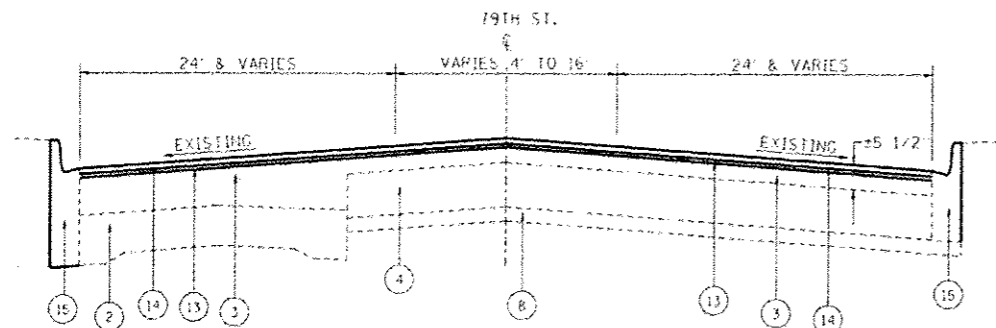
NOTE 1: THE UNIT WEIGHT USED TO CALCULATE ALL HOT-MIX ASPHALT SURFACE MIXTURE QUANTITIES IS 112 LBS/50 YD/IN.  
NOTE 2: THE "AC TYPE" FOR POLYMERIZED HMA MIXES SHALL BE "SBS/SBR PG 76 -22" AND FOR NON-POLYMERIZED HMA THE "AC TYPE" SHALL BE "PG 64 -22" UNLESS MODIFIED BY DISTRICT ONE SPECIAL PROVISIONS.  
FOR USE OF RECYCLED MATERIALS SEE DISTRICT ONE SPECIAL PROVISIONS.  
● PFP SPECIAL PROVISION APPLIES TO POLYMERIZED HMA SURFACE COURSE, MIX F, N90 ONLY

⚠ SHEET REVISED 4/8/2013

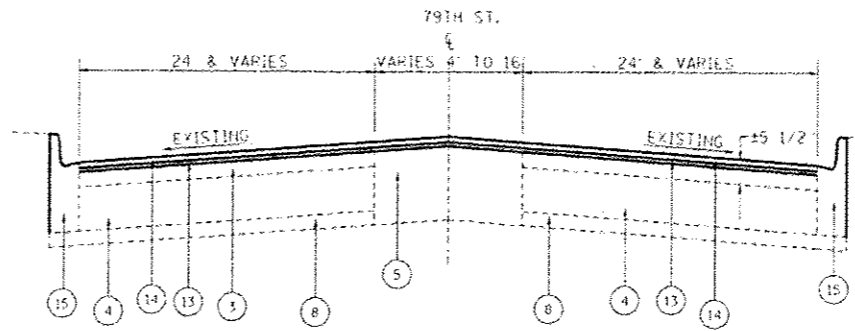
FILE NAME *	USER NAME *	DESIGNED	REVISED
413-ahp-plenator	qureshiga	DRAWN	REVISED
		CHECKED	REVISED
		DATE	REVISED

STATE OF ILLINOIS  
DEPARTMENT OF TRANSPORTATION

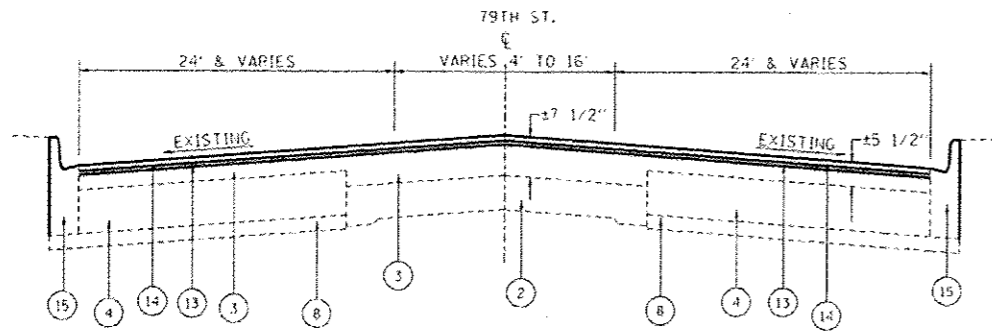
79TH ST.		F.A.U. RTE.	SECTION	COUNTY	TOTAL SHEETS	SHEET NO.
EXISTING & PROPOSED TYPICAL SECTIONS		1548	461R5-3	COOK	38	5
SCALE:	SHEET NO. 1 OF 2 SHEETS	STA.	TO STA.	CONTRACT NO. BOW15		
				FED. ROAD DIST. NO. 1 ILLINOIS FED. AID PROJECT		



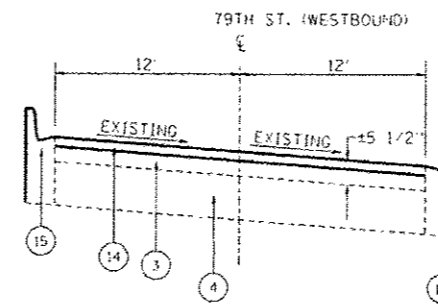
PROPOSED TYPICAL SECTION  
STA. 21+00 TO STA. 68+65



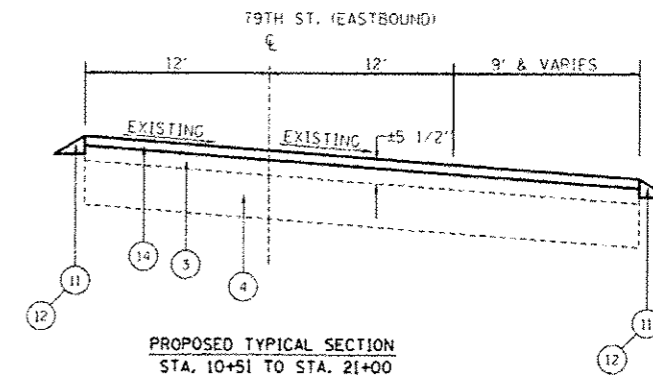
PROPOSED TYPICAL SECTION  
STA. 68+65 TO STA. 79+76  
STA. 90+55 TO STA. 98+18  
STA. 101+34 TO STA. 109+24  
STA. 121+30 TO STA. 143+00  
STA. 173+40 TO STA. 186+00  
STA. 236+00 TO STA. 246+00



PROPOSED TYPICAL SECTION  
STA. 79+76 TO STA. 90+55  
STA. 109+24 TO STA. 121+30  
STA. 143+00 TO STA. 173+40  
STA. 186+00 TO STA. 236+00  
STA. 246+00 TO STA. 285+19



PROPOSED TYPICAL SECTION  
STA. 10+51 TO STA. 21+00



PROPOSED TYPICAL SECTION  
STA. 10+51 TO STA. 21+00

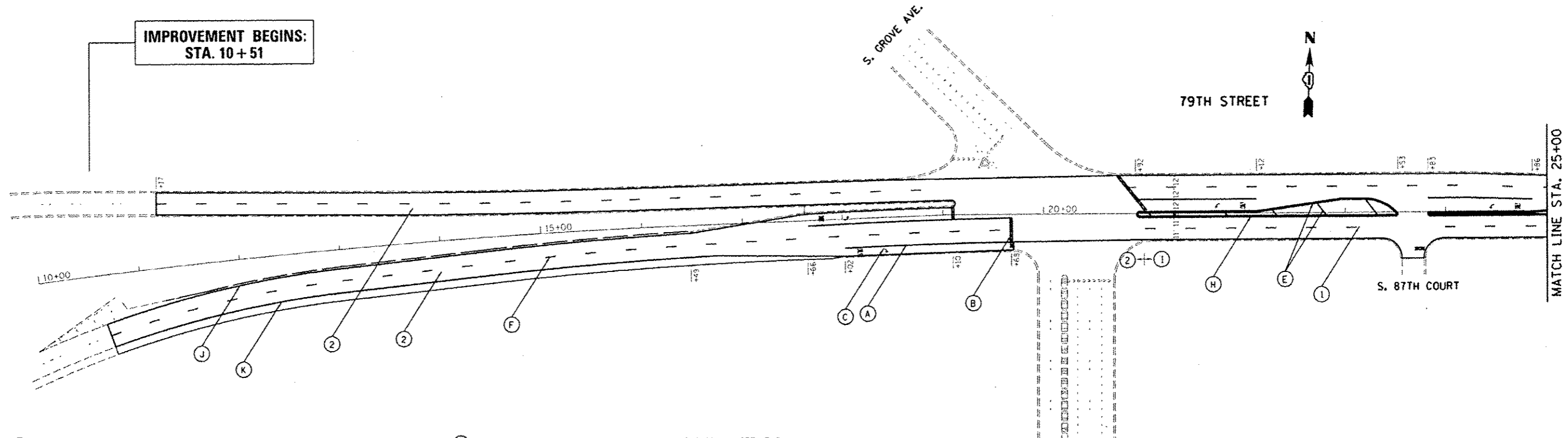
**LEGEND**

1. EXISTING COMBINATION CONCRETE CURB AND GUTTER
2. EXISTING P.C. CONCRETE PAVEMENT ± 9"
3. EXISTING HMA SURFACE COURSE
4. EXISTING P.C.C. BASE COURSE, 9"
5. EXISTING P.C.C. BARRIER OR CORRUGATED MEDIAN
6. EXISTING P.C.C. SIDEWALK
7. EXISTING AGGREGATE OR GRASS SHOULDER
8. EXISTING SUB-BASE GRANULAR MATERIAL, 6"
9. PROPOSED HMA SURFACE REMOVAL, 2 1/2"
10. PROPOSED HMA SURFACE REMOVAL, 1 3/4"
11. PROPOSED AGGREGATE WEDGE SHOULDER, TYPE B
12. PROPOSED GRADING AND SHAPING SHOULDERS (WHERE NECESSARY)
13. PROPOSED POLYMERIZED LEVELING BINDER (MACHINE METHOD), IL-4.75, NSO, 3/4"
14. PROPOSED POLYMERIZED HMA SURFACE COURSE, MIX "F", NSO, 1 3/4"
15. PROPOSED COMBINATION CONCRETE CURB AND GUTTER

SHEET REVISED 4/8/2013

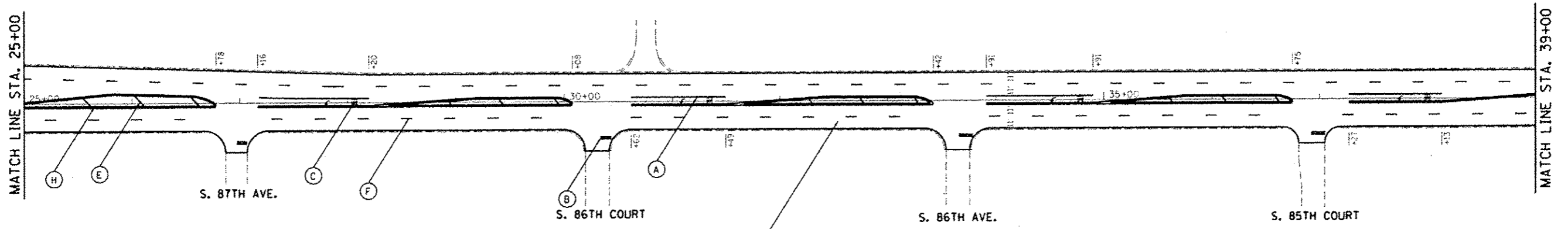
FILE NAME: c:\pwworkspace\dwg\100330876-01\100330876-01.dwg	USER: bgrace	DESIGNED: -	REVISED: -	<b>STATE OF ILLINOIS DEPARTMENT OF TRANSPORTATION</b>	<b>79TH ST. EXISTING &amp; PROPOSED TYPICAL SECTIONS</b>		F.A.D. 1548	SECTION 46IRS-3	COUNTY COOK	TOTAL SHEETS 38	SHEET NO. 6	
PLOT SCALE: 1/8"=1'-0"	PLOT DATE: 4/9/2013	DRAWN: -	REVISED: -		SCALE: -	SHEET NO. 2 OF 2 SHEETS	STA. -	TO STA. -	CONTRACT NO. 60W15			
		CHECKED: -	REVISED: -		FED. ROAD DIST. NO. 1 ILLINOIS FED. AID PROJECT							
		DATE: -	REVISED: -									

IMPROVEMENT BEGINS:  
STA. 10+51



- (A) PROP. THERMOPLASTIC PLASTIC PAVEMENT TURN LANE MARKING-LINE 6", WHITE (TYP.)
  - (B) PROP. THERMOPLASTIC PAVEMENT STOP MARKING-LINE 24", WHITE (TYP.)
  - (C) PROP. THERMOPLASTIC PAVEMENT MARKING LETTERS AND SYMBOLS, WHITE (TYP.)
  - (D) PROP. THERMOPLASTIC PAVEMENT MARKING-LINE 8", WHITE (TYP.)
  - (E) PROP. THERMOPLASTIC PAVEMENT MARKING-LINE 12", YELLOW (TYP.)
  - (F) PROP. THERMOPLASTIC PAVEMENT MARKING-LINE 4", 10' DASH-30' SKIP, WHITE (TYP.)
  - (G) PROP. THERMOPLASTIC PAVEMENT MARKING-LINE 12", WHITE (TYP.)
  - (H) PROP. THERMOPLASTIC PAVEMENT MARKING DOUBLE LINES 4" @ 11" C-C, YELLOW (TYP.)
  - (I) PROP. THERMOPLASTIC PAVEMENT SOLID AND SKIP-DASH MARKING-LINES 4" @ 5 1/2" C-C, YELLOW (TYP.)
  - (J) PROP. THERMOPLASTIC PAVEMENT MARKING-LINE 4", YELLOW (TYP.)
  - (K) PROP. THERMOPLASTIC PAVEMENT MARKING-LINE 4", WHITE (TYP.)
  - (L) PROP. THERMOPLASTIC PAVEMENT CROSSWALK MARKING-LINE 6", 2 @ 6' SPACE, WHITE (TYP.)
  - (M) PROP. THERMOPLASTIC PAVEMENT SCHOOL CROSSWALK MARKING-LINE 12" @ 2' SPACE, WHITE (TYP.)
  - (N) PROP. THERMOPLASTIC PAVEMENT MARKING-LINE 6", 2' DASH-6' SKIP, WHITE (TYP.)
- 79TH STREET

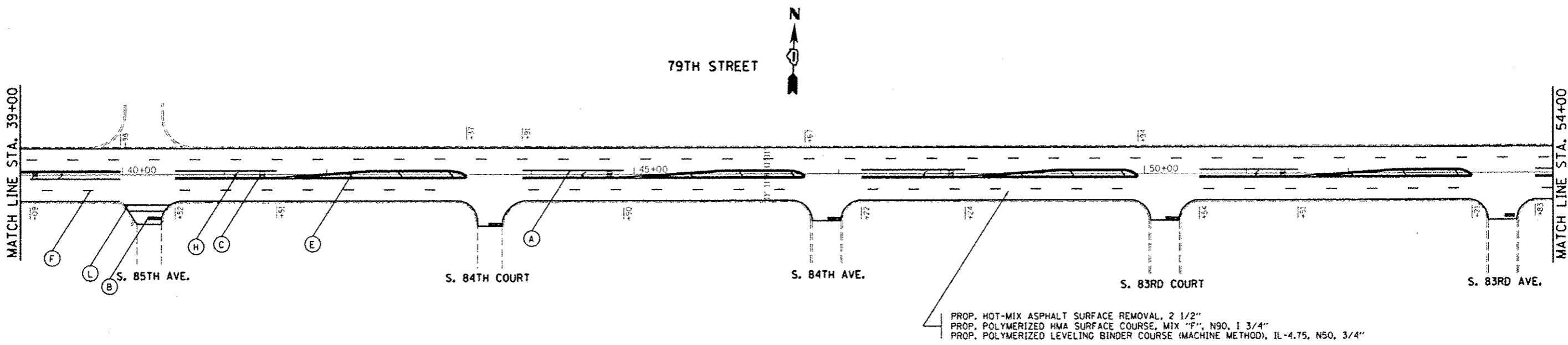
- (1) PROP. HOT-MIX ASPHALT SURFACE REMOVAL, 2 1/2"  
PROP. POLYMERIZED HMA SURFACE COURSE, MIX "F", N90, 1 3/4"  
PROP. POLYMERIZED LEVELING BINDER COURSE (MACHINE METHOD), IL-4.75, N50, 3/4"
- (2) PROP. HOT-MIX ASPHALT SURFACE REMOVAL, 1 3/4"  
PROP. POLYMERIZED HMA SURFACE COURSE, MIX "F", N90, 1 3/4"



- (1) PROP. HOT-MIX ASPHALT SURFACE REMOVAL, 2 1/2"  
PROP. POLYMERIZED HMA SURFACE COURSE, MIX "F", N90, 1 3/4"  
PROP. POLYMERIZED LEVELING BINDER COURSE (MACHINE METHOD), IL-4.75, N50, 3/4"

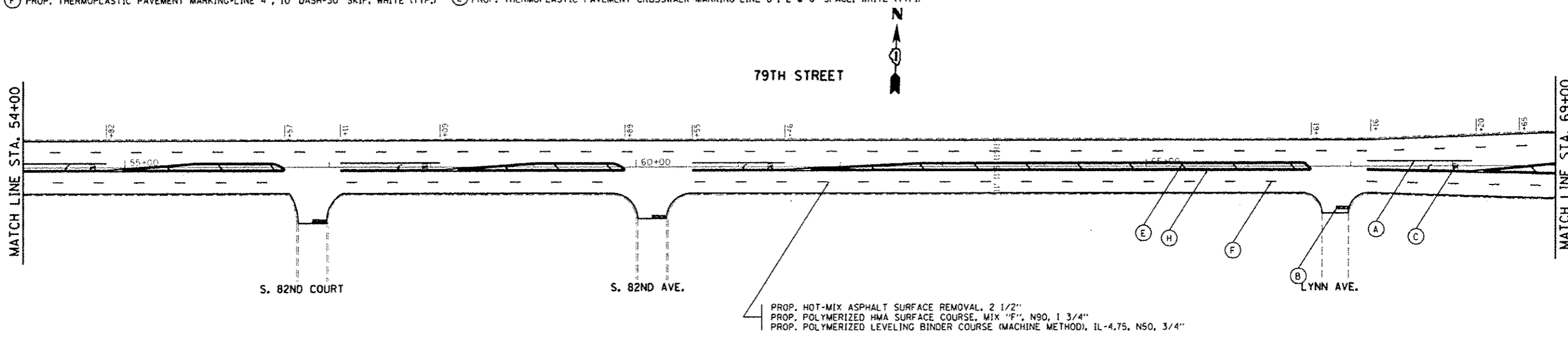
⚠ SHEET REVISED 4/8/2013

FILE NAME: USER NAME: PLOT SCALE: PLOT DATE:	DESIGNED: DRAWN: CHECKED: DATE:	REVISED: REVISED: REVISED: REVISED:	<b>STATE OF ILLINOIS</b> <b>DEPARTMENT OF TRANSPORTATION</b>	<b>79TH ST.</b> <b>ROADWAY &amp; PAVEMENT MARKING PLAN</b> SCALE: 1"=50' SHEET 1 OF 10 SHEETS STA. 10+00 TO STA. 39+00	F.A.U. RTE. 154B SECTION 461RS-3 COUNTY COOK TOTAL SHEETS 38 SHEET NO. 7 CONTRACT NO. 60W15 ILLINOIS FED. AID PROJECT
---	--	--	---	--	---



PROP. HOT-MIX ASPHALT SURFACE REMOVAL, 2 1/2"  
 PROP. POLYMERIZED HMA SURFACE COURSE, MIX "F", N90, 1 3/4"  
 PROP. POLYMERIZED LEVELING BINDER COURSE (MACHINE METHOD), IL-4.75, N50, 3/4"

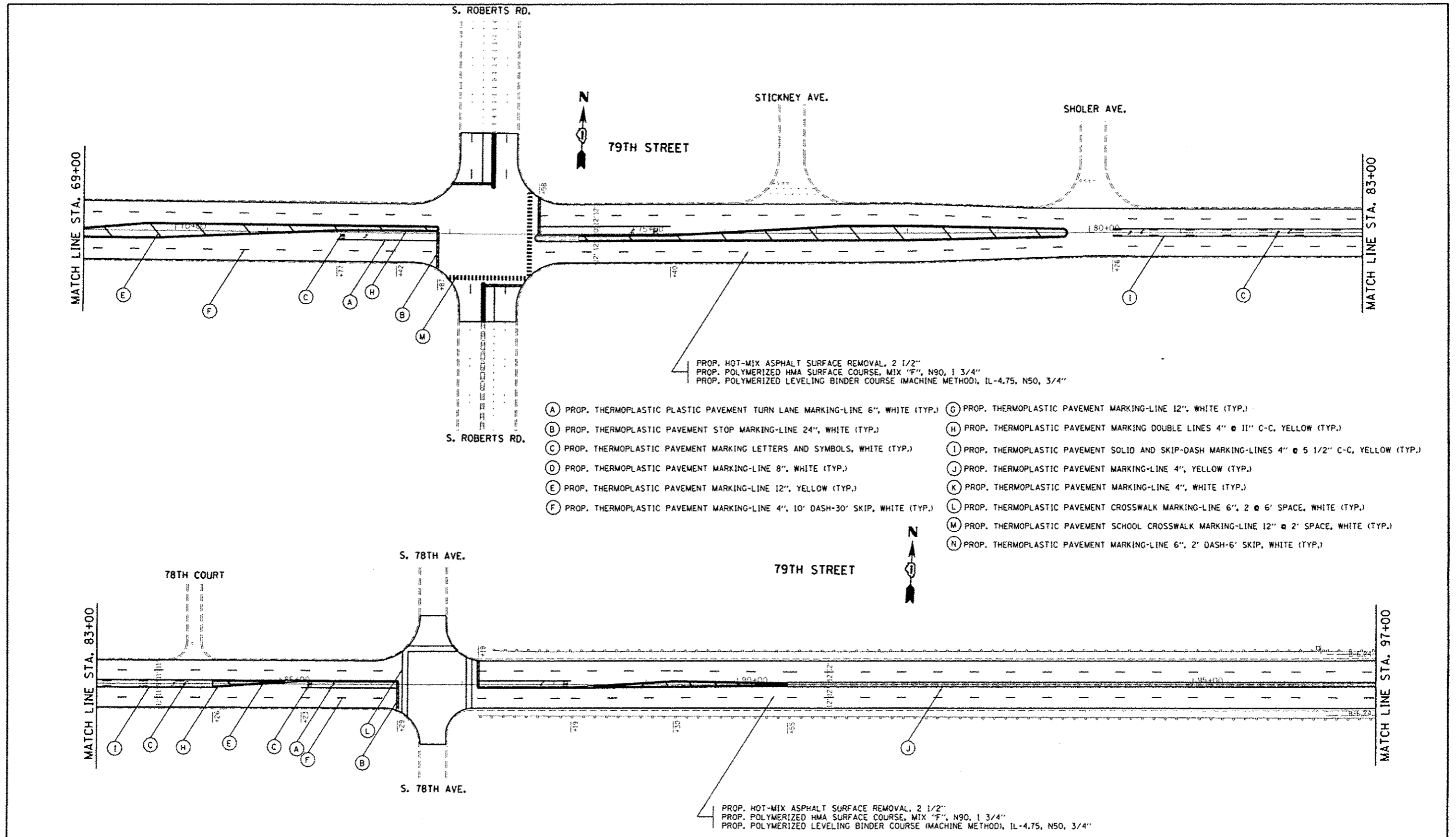
- (A) PROP. THERMOPLASTIC PLASTIC PAVEMENT TURN LANE MARKING-LINE 6", WHITE (TYP.)
- (B) PROP. THERMOPLASTIC PAVEMENT STOP MARKING-LINE 24", WHITE (TYP.)
- (C) PROP. THERMOPLASTIC PAVEMENT MARKING LETTERS AND SYMBOLS, WHITE (TYP.)
- (D) PROP. THERMOPLASTIC PAVEMENT MARKING-LINE 8", WHITE (TYP.)
- (E) PROP. THERMOPLASTIC PAVEMENT MARKING-LINE 12", YELLOW (TYP.)
- (F) PROP. THERMOPLASTIC PAVEMENT MARKING-LINE 4", 10' DASH-30' SKIP, WHITE (TYP.)
- (G) PROP. THERMOPLASTIC PAVEMENT MARKING-LINE 12", WHITE (TYP.)
- (H) PROP. THERMOPLASTIC PAVEMENT MARKING DOUBLE LINES 4" @ 11" C-C, YELLOW (TYP.)
- (I) PROP. THERMOPLASTIC PAVEMENT SOLID AND SKIP-DASH MARKING-LINES 4" @ 5 1/2" C-C, YELLOW (TYP.)
- (J) PROP. THERMOPLASTIC PAVEMENT MARKING-LINE 4", YELLOW (TYP.)
- (K) PROP. THERMOPLASTIC PAVEMENT MARKING-LINE 4", WHITE (TYP.)
- (L) PROP. THERMOPLASTIC PAVEMENT CROSSWALK MARKING-LINE 6", 2 @ 6' SPACE, WHITE (TYP.)
- (M) PROP. THERMOPLASTIC PAVEMENT SCHOOL CROSSWALK MARKING-LINE 12" @ 2' SPACE, WHITE (TYP.)
- (N) PROP. THERMOPLASTIC PAVEMENT MARKING-LINE 6", 2' DASH-6' SKIP, WHITE (TYP.)



PROP. HOT-MIX ASPHALT SURFACE REMOVAL, 2 1/2"  
 PROP. POLYMERIZED HMA SURFACE COURSE, MIX "F", N90, 1 3/4"  
 PROP. POLYMERIZED LEVELING BINDER COURSE (MACHINE METHOD), IL-4.75, N50, 3/4"

⚠ SHEET REVISED 4/8/2013

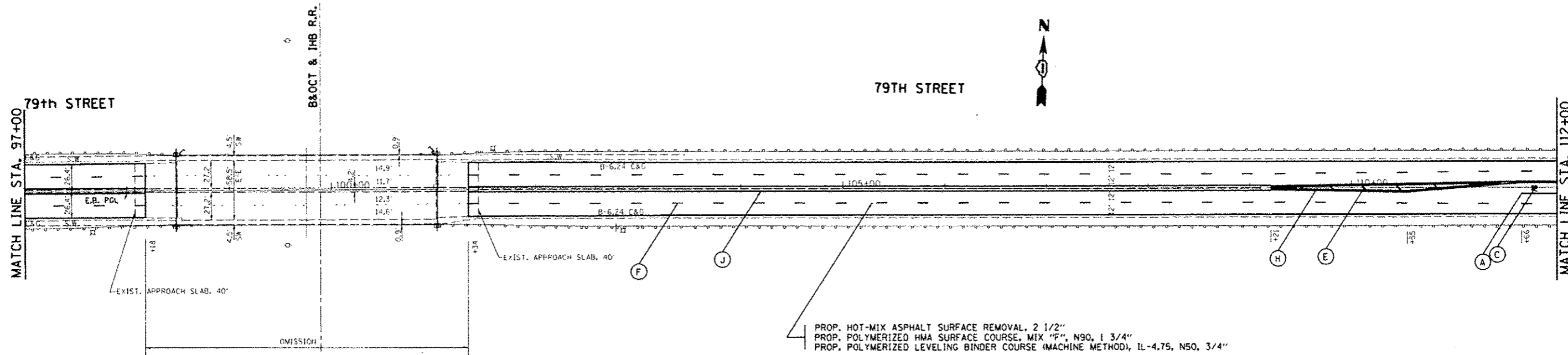
FILE NAME USER NAME PLOT SCALE PLOT DATE	DESIGNED DRAWN CHECKED DATE	REVISED REVISED REVISED REVISED	<b>STATE OF ILLINOIS          DEPARTMENT OF TRANSPORTATION</b>	<b>79TH ST.          ROADWAY &amp; PAVEMENT MARKING PLAN</b>	F.A.U. RTE. SECTION COUNTY TOTAL SHEETS SHEET NO.
C:\pwworkspace\dot\pwworkspace\68330876-101 PLOT SCALE = 1/8"=1'-0" PLOT DATE = 4/9/2013			SCALE: 1"=50' SHEET 2 OF 10 SHEETS STA. 39+00 TO STA. 69+00	STA. 461RS-3 COOK 38 B	CONTRACT NO. 60W15 ILLINOIS FED. AID PROJECT



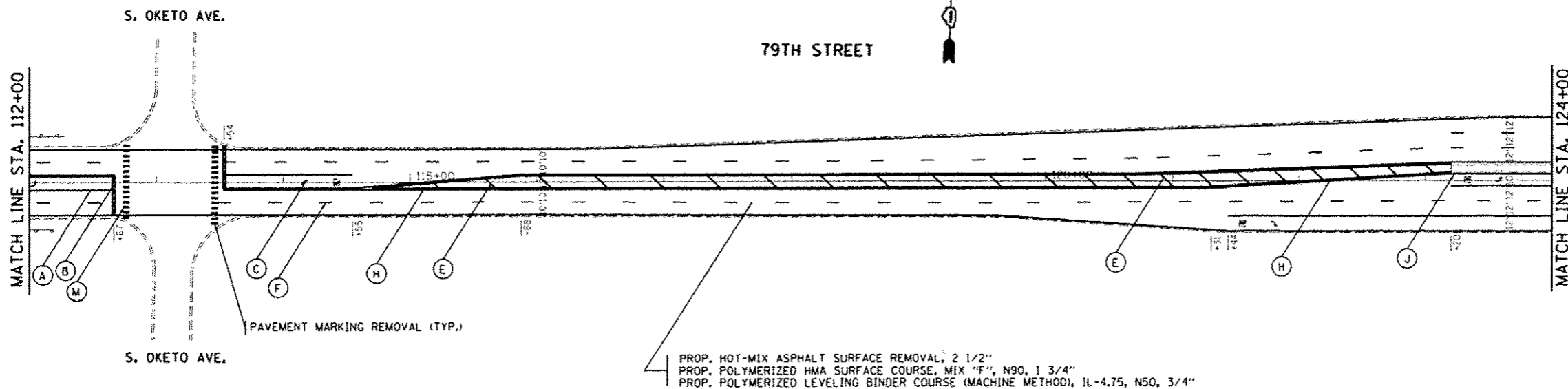
- (A) PROP. THERMOPLASTIC PLASTIC PAVEMENT TURN LANE MARKING-LINE 6", WHITE (TYP.)
- (B) PROP. THERMOPLASTIC PAVEMENT STOP MARKING-LINE 24", WHITE (TYP.)
- (C) PROP. THERMOPLASTIC PAVEMENT MARKING LETTERS AND SYMBOLS, WHITE (TYP.)
- (D) PROP. THERMOPLASTIC PAVEMENT MARKING-LINE 8", WHITE (TYP.)
- (E) PROP. THERMOPLASTIC PAVEMENT MARKING-LINE 12", YELLOW (TYP.)
- (F) PROP. THERMOPLASTIC PAVEMENT MARKING-LINE 4", 10' DASH-30' SKIP, WHITE (TYP.)
- (G) PROP. THERMOPLASTIC PAVEMENT MARKING-LINE 12", WHITE (TYP.)
- (H) PROP. THERMOPLASTIC PAVEMENT MARKING DOUBLE LINES 4" @ 11" C-C, YELLOW (TYP.)
- (I) PROP. THERMOPLASTIC PAVEMENT SOLID AND SKIP-DASH MARKING-LINES 4" @ 5 1/2" C-C, YELLOW (TYP.)
- (J) PROP. THERMOPLASTIC PAVEMENT MARKING-LINE 4", YELLOW (TYP.)
- (K) PROP. THERMOPLASTIC PAVEMENT MARKING-LINE 4", WHITE (TYP.)
- (L) PROP. THERMOPLASTIC PAVEMENT CROSSWALK MARKING-LINE 6", 2 @ 6' SPACE, WHITE (TYP.)
- (M) PROP. THERMOPLASTIC PAVEMENT SCHOOL CROSSWALK MARKING-LINE 12" @ 2' SPACE, WHITE (TYP.)
- (N) PROP. THERMOPLASTIC PAVEMENT MARKING-LINE 6", 2' DASH-6' SKIP, WHITE (TYP.)

**⚠ SHEET REVISED 4/8/2013**

FILE NAME: c:\p\work\pav\dot\q\msh\p\60332876\01	USER NAME: a.greship	DESIGNED: -	REVISED: -	<b>STATE OF ILLINOIS DEPARTMENT OF TRANSPORTATION</b>	<b>79TH ST. ROADWAY &amp; PAVEMENT MARKING PLAN</b>	P.A.U. RTE. 1548	SECTION 461RS-3	COUNTY COOK	TOTAL SHEETS 38	SHEET NO. 9
PLOT SCALE: 1/8"=1'-0"	PLOT DATE: 4/9/2013	CHECKED: -	REVISED: -	SCALE: 1"=50'	SHEET 3 OF 10 SHEETS	STA. 69+00	TO STA. 97+00	CONTRACT NO. 60W15	[ILLINOIS] FED. AID PROJECT	



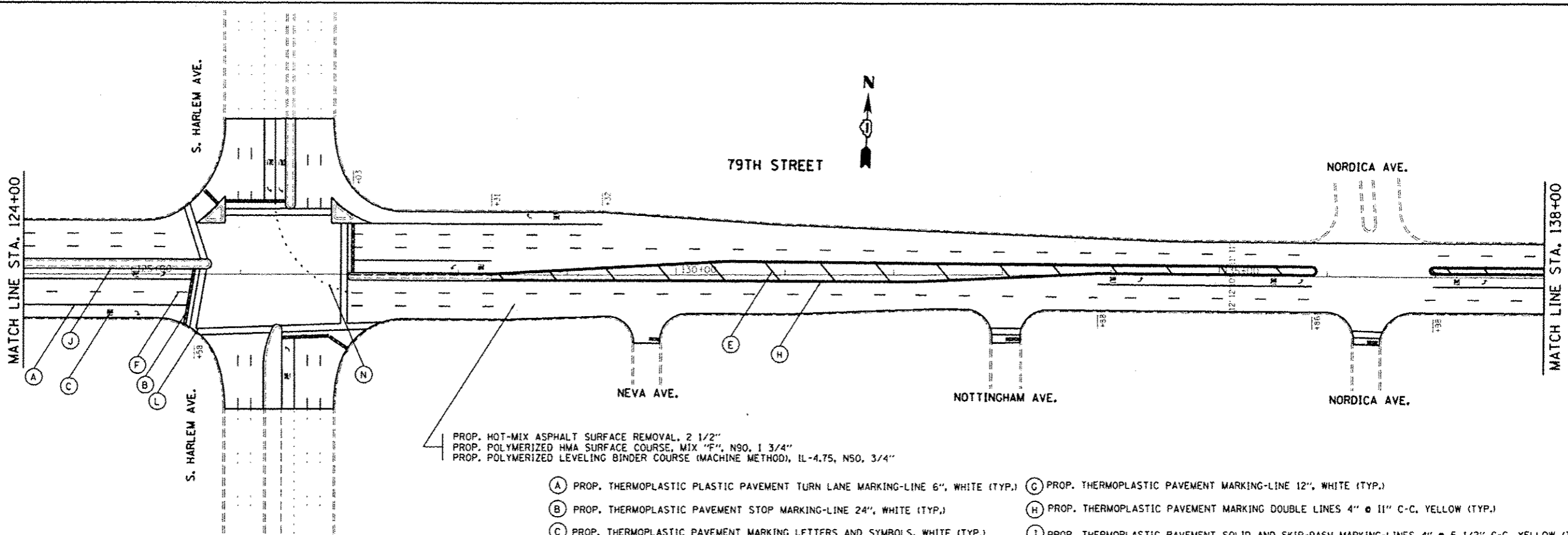
- (A) PROP. THERMOPLASTIC PLASTIC PAVEMENT TURN LANE MARKING-LINE 6", WHITE (TYP.)
- (B) PROP. THERMOPLASTIC PAVEMENT STOP MARKING-LINE 24", WHITE (TYP.)
- (C) PROP. THERMOPLASTIC PAVEMENT MARKING LETTERS AND SYMBOLS, WHITE (TYP.)
- (D) PROP. THERMOPLASTIC PAVEMENT MARKING-LINE 8", WHITE (TYP.)
- (E) PROP. THERMOPLASTIC PAVEMENT MARKING-LINE 12", YELLOW (TYP.)
- (F) PROP. THERMOPLASTIC PAVEMENT MARKING-LINE 4", 10' DASH-30' SKIP, WHITE (TYP.)
- (G) PROP. THERMOPLASTIC PAVEMENT MARKING-LINE 12", WHITE (TYP.)
- (H) PROP. THERMOPLASTIC PAVEMENT MARKING DOUBLE LINES 4" @ 11" C-C, YELLOW (TYP.)
- (I) PROP. THERMOPLASTIC PAVEMENT SOLID AND SKIP-DASH MARKING-LINES 4" @ 5 1/2" C-C, YELLOW (TYP.)
- (J) PROP. THERMOPLASTIC PAVEMENT MARKING-LINE 4", YELLOW (TYP.)
- (K) PROP. THERMOPLASTIC PAVEMENT MARKING-LINE 4", WHITE (TYP.)
- (L) PROP. THERMOPLASTIC PAVEMENT CROSSWALK MARKING-LINE 6", 2 @ 6' SPACE, WHITE (TYP.)
- (M) PROP. THERMOPLASTIC PAVEMENT SCHOOL CROSSWALK MARKING-LINE 12" @ 2' SPACE, WHITE (TYP.)
- (N) PROP. THERMOPLASTIC PAVEMENT MARKING-LINE 6", 2' DASH-6' SKIP, WHITE (TYP.)



**⚠ SHEET REVISED 4/8/2013**

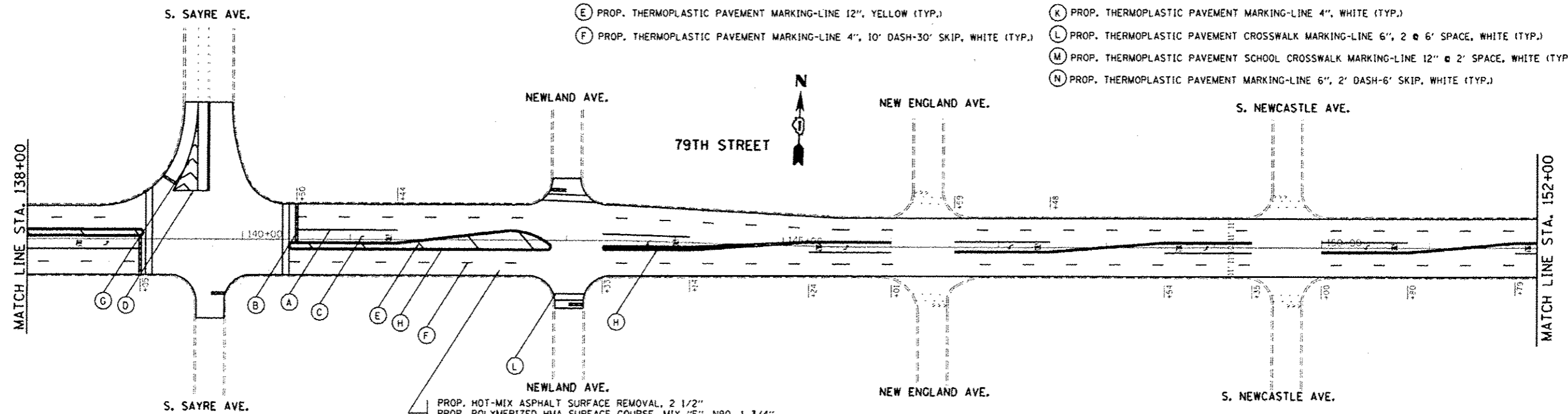
FILE NAME	USER NAME	DESIGNED	REVISED	<b>STATE OF ILLINOIS DEPARTMENT OF TRANSPORTATION</b>	<b>79TH ST. ROADWAY &amp; PAVEMENT MARKING PLAN</b>	F.A.U. RTE.	SECTION	COUNTY	TOTAL SHEETS	SHEET NO.
		DRAWN	REVISED		SCALE: 1"=50'	1548	461RS-3	COOK	38	10
		CHECKED	REVISED		SHEET 4 OF 10 SHEETS					
		DATE	REVISED		STA. 97+00 TO STA. 124+00					
CONTRACT NO. 60W15 ILLINOIS FED. AID PROJECT										





PROP. HOT-MIX ASPHALT SURFACE REMOVAL, 2 1/2"  
 PROP. POLYMERIZED HMA SURFACE COURSE, MIX "F", N90, 1 3/4"  
 PROP. POLYMERIZED LEVELING BINDER COURSE (MACHINE METHOD), IL-4.75, N50, 3/4"

- (A) PROP. THERMOPLASTIC PLASTIC PAVEMENT TURN LANE MARKING-LINE 6", WHITE (TYP.)
- (B) PROP. THERMOPLASTIC PAVEMENT STOP MARKING-LINE 24", WHITE (TYP.)
- (C) PROP. THERMOPLASTIC PAVEMENT MARKING LETTERS AND SYMBOLS, WHITE (TYP.)
- (D) PROP. THERMOPLASTIC PAVEMENT MARKING-LINE 8", WHITE (TYP.)
- (E) PROP. THERMOPLASTIC PAVEMENT MARKING-LINE 12", YELLOW (TYP.)
- (F) PROP. THERMOPLASTIC PAVEMENT MARKING-LINE 4", 10' DASH-30' SKIP, WHITE (TYP.)
- (G) PROP. THERMOPLASTIC PAVEMENT MARKING-LINE 12", WHITE (TYP.)
- (H) PROP. THERMOPLASTIC PAVEMENT MARKING DOUBLE LINES 4" @ 11" C-C, YELLOW (TYP.)
- (I) PROP. THERMOPLASTIC PAVEMENT SOLID AND SKIP-DASH MARKING-LINES 4" @ 5 1/2" C-C, YELLOW (TYP.)
- (J) PROP. THERMOPLASTIC PAVEMENT MARKING-LINE 4", YELLOW (TYP.)
- (K) PROP. THERMOPLASTIC PAVEMENT MARKING-LINE 4", WHITE (TYP.)
- (L) PROP. THERMOPLASTIC PAVEMENT CROSSWALK MARKING-LINE 6", 2 @ 6' SPACE, WHITE (TYP.)
- (M) PROP. THERMOPLASTIC PAVEMENT SCHOOL CROSSWALK MARKING-LINE 12" @ 2' SPACE, WHITE (TYP.)
- (N) PROP. THERMOPLASTIC PAVEMENT MARKING-LINE 6", 2' DASH-6' SKIP, WHITE (TYP.)

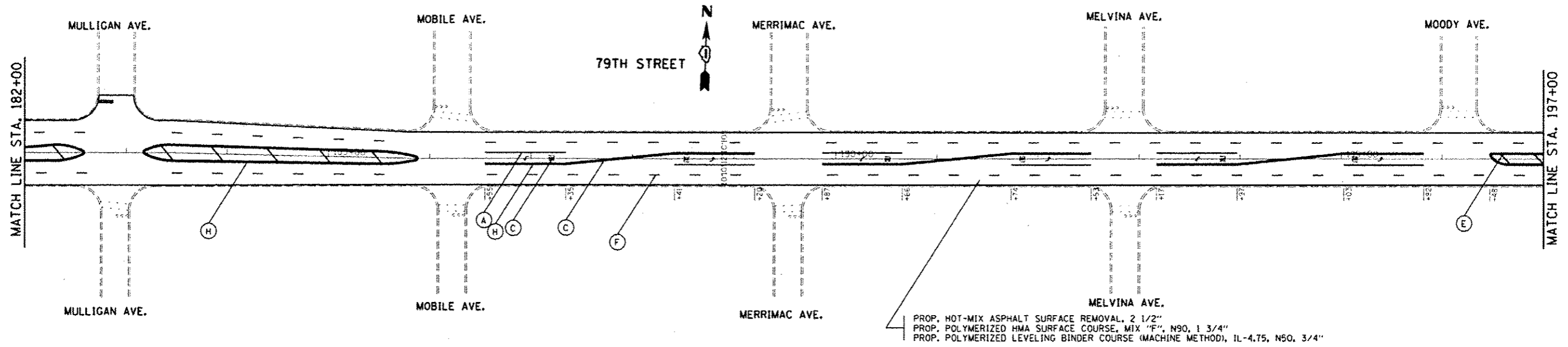


PROP. HOT-MIX ASPHALT SURFACE REMOVAL, 2 1/2"  
 PROP. POLYMERIZED HMA SURFACE COURSE, MIX "F", N90, 1 3/4"  
 PROP. POLYMERIZED LEVELING BINDER COURSE (MACHINE METHOD), IL-4.75, N50, 3/4"

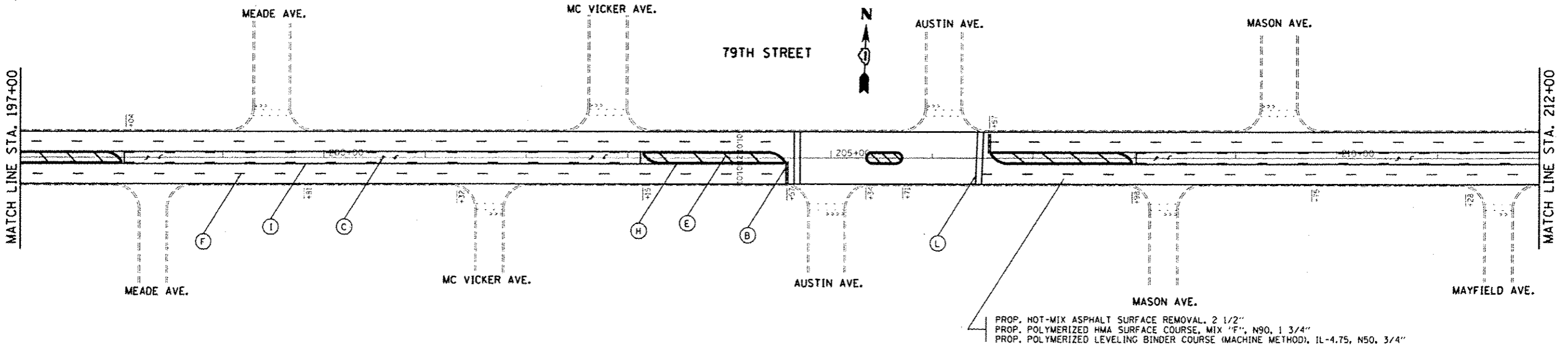
▲ SHEET REVISED 4/8/2013

FILE NAME	USER NAME	DESIGNED	REVISED	<b>STATE OF ILLINOIS DEPARTMENT OF TRANSPORTATION</b>	<b>79TH ST. ROADWAY &amp; PAVEMENT MARKING PLAN</b>		P.A.U. RTE.	SECTION	COUNTY	TOTAL SHEETS	SHEET NO.	
WORKSPACE	PROJECT	DRAWN	REVISED		1548	461RS-3	COOK	38	11			
PROJECT	SCALE	CHECKED	REVISED		SCALE: 1"=50'		SHEET 5 OF 10 SHEETS		STA. 124+00 TO STA. 152+00		CONTRACT NO. 60W15	
PROJECT	PLOT DATE	DATE	REVISED		ILLINOIS/FED. AID PROJECT							



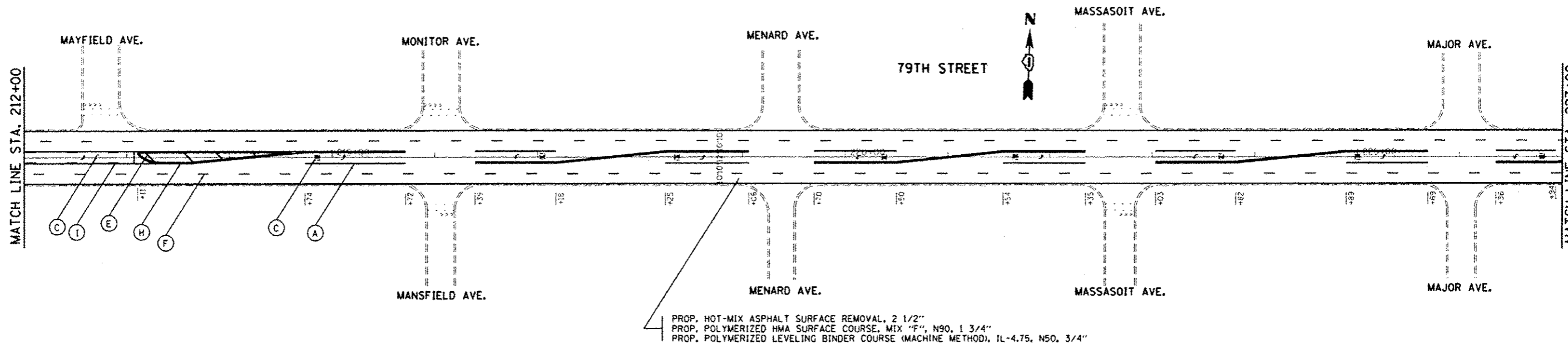


- (A) PROP. THERMOPLASTIC PLASTIC PAVEMENT TURN LANE MARKING-LINE 6", WHITE (TYP.)
- (B) PROP. THERMOPLASTIC PAVEMENT STOP MARKING-LINE 24", WHITE (TYP.)
- (C) PROP. THERMOPLASTIC PAVEMENT MARKING LETTERS AND SYMBOLS, WHITE (TYP.)
- (D) PROP. THERMOPLASTIC PAVEMENT MARKING-LINE 8", WHITE (TYP.)
- (E) PROP. THERMOPLASTIC PAVEMENT MARKING-LINE 12", YELLOW (TYP.)
- (F) PROP. THERMOPLASTIC PAVEMENT MARKING-LINE 4", 10' DASH-30' SKIP, WHITE (TYP.)
- (G) PROP. THERMOPLASTIC PAVEMENT MARKING-LINE 12", WHITE (TYP.)
- (H) PROP. THERMOPLASTIC PAVEMENT MARKING DOUBLE LINES 4" @ 11" C-C, YELLOW (TYP.)
- (I) PROP. THERMOPLASTIC PAVEMENT SOLID AND SKIP-DASH MARKING-LINES 4" @ 5 1/2" C-C, YELLOW (TYP.)
- (J) PROP. THERMOPLASTIC PAVEMENT MARKING-LINE 4", YELLOW (TYP.)
- (K) PROP. THERMOPLASTIC PAVEMENT MARKING-LINE 4", WHITE (TYP.)
- (L) PROP. THERMOPLASTIC PAVEMENT CROSSWALK MARKING-LINE 6", 2 @ 6' SPACE, WHITE (TYP.)
- (M) PROP. THERMOPLASTIC PAVEMENT SCHOOL CROSSWALK MARKING-LINE 12" @ 2' SPACE, WHITE (TYP.)
- (N) PROP. THERMOPLASTIC PAVEMENT MARKING-LINE 6", 2' DASH-6' SKIP, WHITE (TYP.)

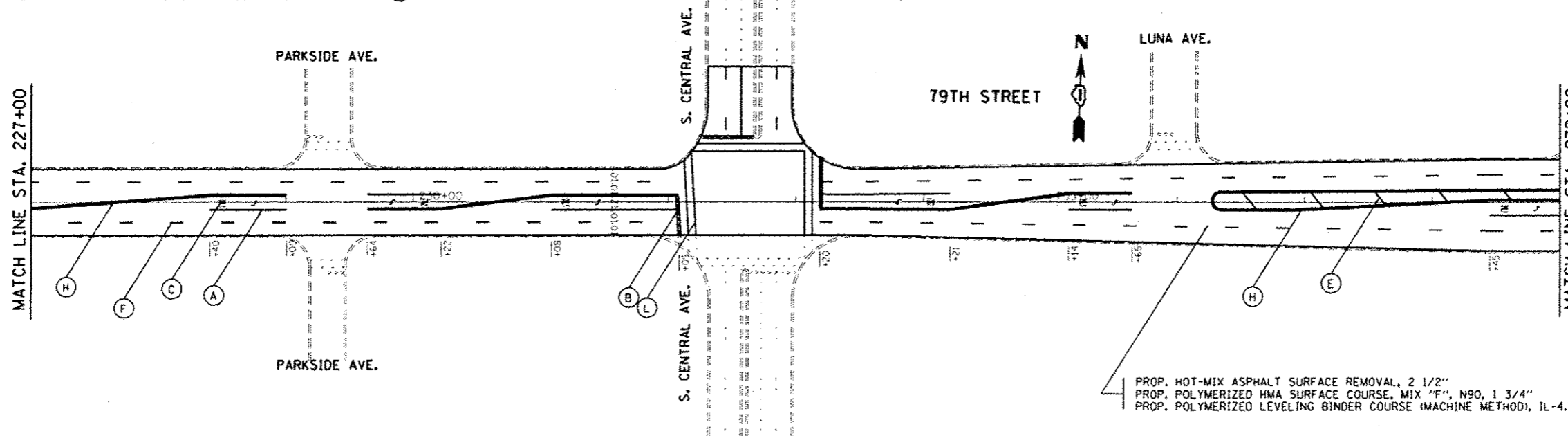


**1** SHEET REVISED 4/8/2013

FILE NAME	USER NAME	DESIGNED	REVISED	<b>STATE OF ILLINOIS DEPARTMENT OF TRANSPORTATION</b>	<b>79TH ST. ROADWAY &amp; PAVEMENT MARKING PLAN</b>	F.A.U. RTE.	SECTION	COUNTY	TOTAL SHEETS	SHEET NO.	
413-4h1-g1evdgr	quashiga	DRAWN	REVISED			1548	461RS-3	COOK	38	13	
PL01 SCALE = 100.0000 1" = 50'	PL01 DATE = 4/8/2013	CHECKED	REVISED			SCALE: 1"=50'		SHEET 7 OF 10 SHEETS		STA. 182+00 TO STA. 212+00	
						ILLINOIS FED. AID PROJECT		CONTRACT NO. 60W15			



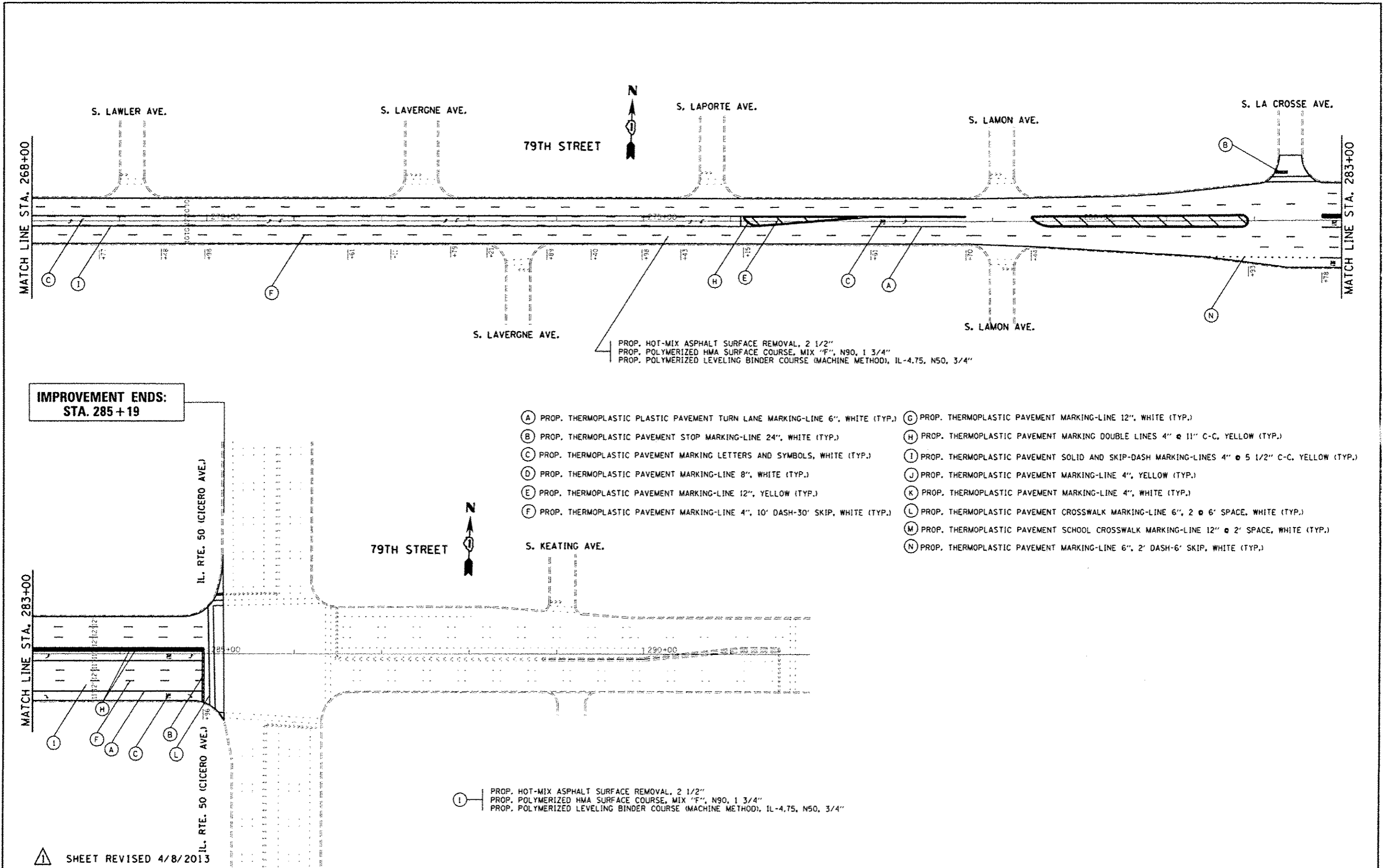
- (A) PROP. THERMOPLASTIC PLASTIC PAVEMENT TURN LANE MARKING-LINE 6", WHITE (TYP.)
- (B) PROP. THERMOPLASTIC PAVEMENT STOP MARKING-LINE 24", WHITE (TYP.)
- (C) PROP. THERMOPLASTIC PAVEMENT MARKING LETTERS AND SYMBOLS, WHITE (TYP.)
- (D) PROP. THERMOPLASTIC PAVEMENT MARKING-LINE 8", WHITE (TYP.)
- (E) PROP. THERMOPLASTIC PAVEMENT MARKING-LINE 12", YELLOW (TYP.)
- (F) PROP. THERMOPLASTIC PAVEMENT MARKING-LINE 4", 10' DASH-30' SKIP, WHITE (TYP.)
- (G) PROP. THERMOPLASTIC PAVEMENT MARKING-LINE 12", WHITE (TYP.)
- (H) PROP. THERMOPLASTIC PAVEMENT MARKING DOUBLE LINES 4" @ 11" C-C, YELLOW (TYP.)
- (I) PROP. THERMOPLASTIC PAVEMENT SOLID AND SKIP-DASH MARKING-LINES 4" @ 5 1/2" C-C, YELLOW (TYP.)
- (J) PROP. THERMOPLASTIC PAVEMENT MARKING-LINE 4", YELLOW (TYP.)
- (K) PROP. THERMOPLASTIC PAVEMENT MARKING-LINE 4", WHITE (TYP.)
- (L) PROP. THERMOPLASTIC PAVEMENT CROSSWALK MARKING-LINE 6", 2 @ 6' SPACE, WHITE (TYP.)
- (M) PROP. THERMOPLASTIC PAVEMENT SCHOOL CROSSWALK MARKING-LINE 12" @ 2' SPACE, WHITE (TYP.)
- (N) PROP. THERMOPLASTIC PAVEMENT MARKING-LINE 6", 2' DASH-6' SKIP, WHITE (TYP.)



**▲ SHEET REVISED 4/8/2013**

FILE NAME	USER NAME	DESIGNED	REVISED	<b>STATE OF ILLINOIS DEPARTMENT OF TRANSPORTATION</b>	<b>79TH ST. ROADWAY &amp; PAVEMENT MARKING PLAN</b>		F.A.U. RTE.	SECTION	COUNTY	TOTAL SHEETS	SHEET NO.	
01\work\pav\do\q\msh\79\03330976\001	413-shs\p1m\rdg	DRAWN	REVISED		SCALE: 1"=50'	SHEET 8 OF 10 SHEETS	STA. 212+00 TO STA. 239+00	1548	461R5-3	COOK	38	14
MODEL NAME	PLOT SCALE = 100.0000	CHECKED	REVISED					CONTRACT NO. 60W15		ILLINOIS FED. AID PROJECT		
	PLOT DATE = 4/8/2013	DATE	REVISED									





PROP. HOT-MIX ASPHALT SURFACE REMOVAL, 2 1/2"  
 PROP. POLYMERIZED HMA SURFACE COURSE, MIX "F", N90, 1 3/4"  
 PROP. POLYMERIZED LEVELING BINDER COURSE (MACHINE METHOD), IL-4.75, N50, 3/4"

**IMPROVEMENT ENDS:**  
**STA. 285 + 19**

- (A) PROP. THERMOPLASTIC PLASTIC PAVEMENT TURN LANE MARKING-LINE 6", WHITE (TYP.)
- (B) PROP. THERMOPLASTIC PAVEMENT STOP MARKING-LINE 24", WHITE (TYP.)
- (C) PROP. THERMOPLASTIC PAVEMENT MARKING LETTERS AND SYMBOLS, WHITE (TYP.)
- (D) PROP. THERMOPLASTIC PAVEMENT MARKING-LINE 8", WHITE (TYP.)
- (E) PROP. THERMOPLASTIC PAVEMENT MARKING-LINE 12", YELLOW (TYP.)
- (F) PROP. THERMOPLASTIC PAVEMENT MARKING-LINE 4", 10' DASH-30' SKIP, WHITE (TYP.)
- (G) PROP. THERMOPLASTIC PAVEMENT MARKING-LINE 12", WHITE (TYP.)
- (H) PROP. THERMOPLASTIC PAVEMENT MARKING DOUBLE LINES 4" @ 11" C-C, YELLOW (TYP.)
- (I) PROP. THERMOPLASTIC PAVEMENT SOLID AND SKIP-DASH MARKING-LINES 4" @ 5 1/2" C-C, YELLOW (TYP.)
- (J) PROP. THERMOPLASTIC PAVEMENT MARKING-LINE 4", YELLOW (TYP.)
- (K) PROP. THERMOPLASTIC PAVEMENT MARKING-LINE 4", WHITE (TYP.)
- (L) PROP. THERMOPLASTIC PAVEMENT CROSSWALK MARKING-LINE 6", 2 @ 6' SPACE, WHITE (TYP.)
- (M) PROP. THERMOPLASTIC PAVEMENT SCHOOL CROSSWALK MARKING-LINE 12" @ 2' SPACE, WHITE (TYP.)
- (N) PROP. THERMOPLASTIC PAVEMENT MARKING-LINE 6", 2' DASH-6' SKIP, WHITE (TYP.)

(I) PROP. HOT-MIX ASPHALT SURFACE REMOVAL, 2 1/2"  
 PROP. POLYMERIZED HMA SURFACE COURSE, MIX "F", N90, 1 3/4"  
 PROP. POLYMERIZED LEVELING BINDER COURSE (MACHINE METHOD), IL-4.75, N50, 3/4"

SHEET REVISED 4/8/2013

FILE NAME	USER NAME	DESIGNED	REVISED	<b>STATE OF ILLINOIS</b> <b>DEPARTMENT OF TRANSPORTATION</b>		<b>79TH ST.</b> <b>ROADWAY &amp; PAVEMENT MARKING PLAN</b>		F.A.U. RTE.	SECTION	COUNTY	TOTAL SHEETS	SHEET NO.
1548	461RS-3	COOK	38					16				
CONTRACT NO. 60W15								ILLINOIS FED. AID PROJECT				
SCALE: 1"=50' SHEET 10 OF 10 SHEETS STA. 268+00 TO STA. 292+00												