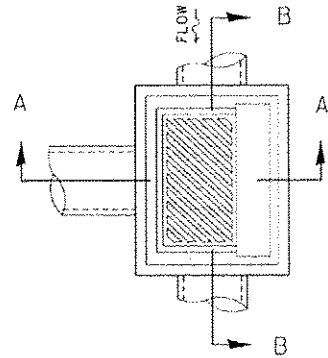
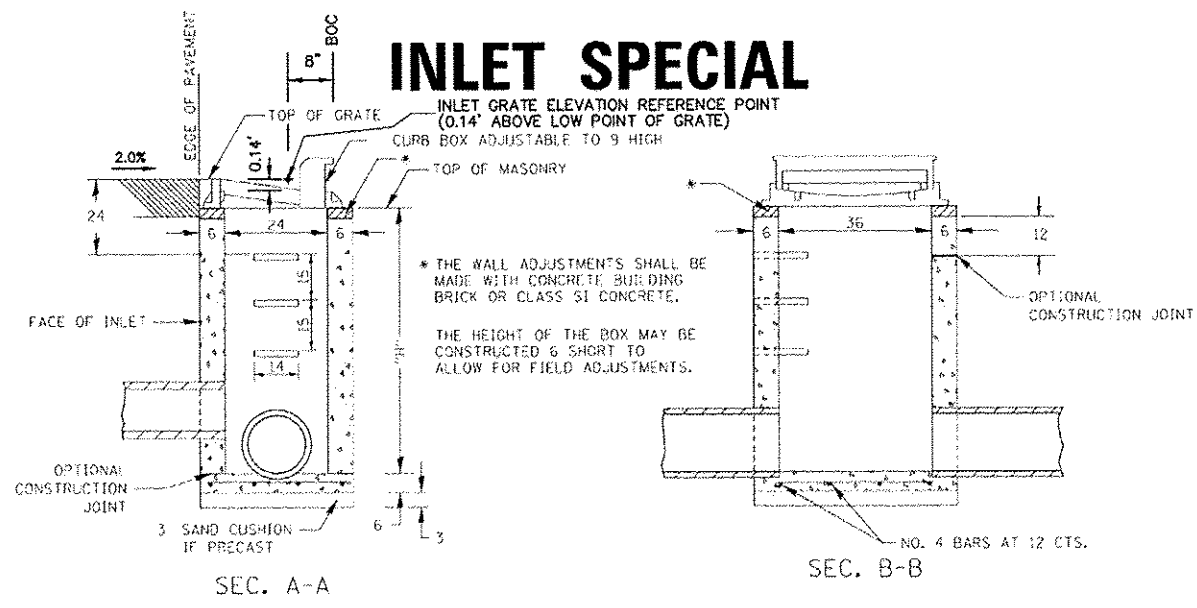


# INLET SPECIAL

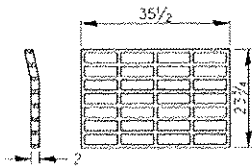


## DETAIL OF FRAME & GRATE

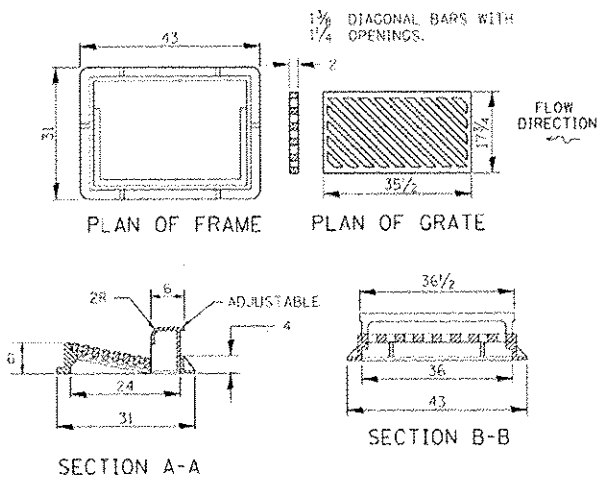
### NOTES

CLASS SI CONCRETE OR PRECAST CONCRETE SHALL BE USED THROUGHOUT. PRECAST CONCRETE SHALL BE IN ACCORDANCE WITH SECTION 504.01 THRU 504.05 OF THE STANDARD SPECIFICATIONS EXCEPT THAT CONCRETE STRENGTH SHALL BE 4,000 PSI AFTER 28 DAYS.

THE CONTRACT UNIT PRICE EACH FOR INLET SPECIAL SHALL INCLUDE THE COST OF CONSTRUCTING THE INLET BOX, FURNISHING AND INSTALLING THE FRAME AND GRATE, THE CAST IRON STEPS (IF USED), THE PRECAST FLOOR SLABS, SAND CUSHION (WHEN USED) AND REINFORCEMENT BARS.



\* THIS GRATE TO BE USED WITHOUT CURB BOX WHEN INLET IS IN DRIVEWAY.

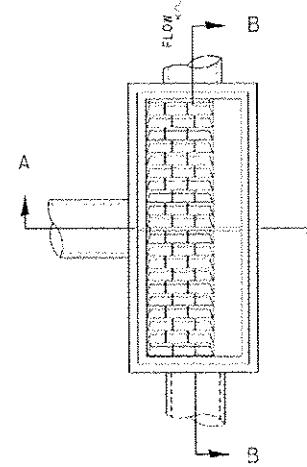
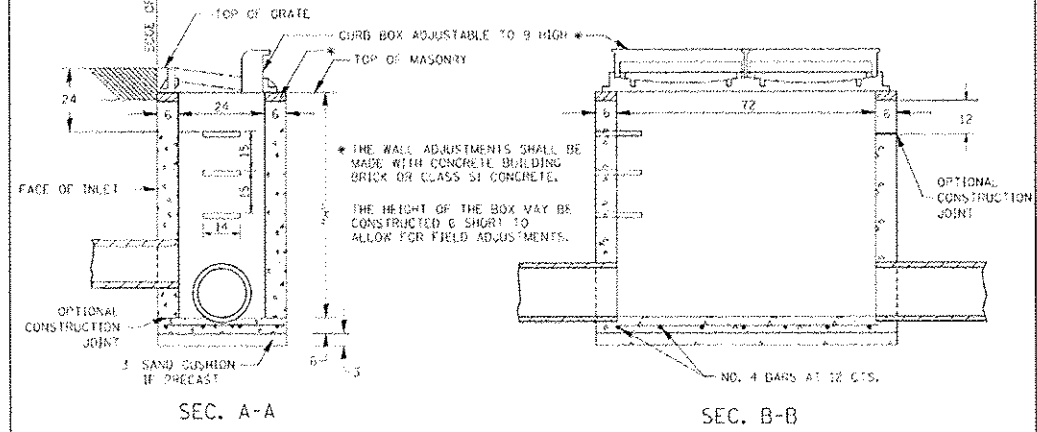


ALL DIMENSIONS ARE IN INCHES UNLESS OTHERWISE NOTED.

REVISED - 10-13-11	S.C.A. TITLE	SECTION	COUNTY	TOTAL SHEETS	SHEET NO.
REVISED -	REGION 2 / DISTRICT 2 STANDARD				
REVISED -	SCALE: 1:2000	SHEET NO.	OF SHEETS	STA.	TO STA.
REVISED -	FED. ROAD DIST. NO.		ILLINOIS FED. AID PROJECT	CONTRACT NO.	

## INLET SPECIAL 10.2

# DOUBLE INLET, SPECIAL

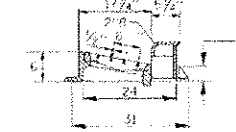
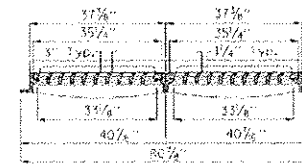


## DETAIL OF FRAME & GRATE

### NOTES

CLASS SI CONCRETE OR PRECAST CONCRETE SHALL BE USED THROUGHOUT. PRECAST CONCRETE SHALL BE IN ACCORDANCE WITH SECTION 504.01 THRU 504.05 OF THE STANDARD SPECIFICATIONS EXCEPT THAT CONCRETE STRENGTH SHALL BE 4,000 PSI AFTER 28 DAYS.

THE CONTRACT UNIT PRICE EACH FOR INLET SPECIAL SHALL INCLUDE THE COST OF CONSTRUCTING THE INLET BOX, FURNISHING AND INSTALLING THE FRAME AND GRATE, THE CAST IRON STEPS (IF USED), THE PRECAST FLOOR SLABS, SAND CUSHION (WHEN USED) AND REINFORCEMENT BARS.



ALL DIMENSIONS ARE IN INCHES UNLESS OTHERWISE NOTED.

REVISED - 10-13-11	S.C.A. TITLE	SECTION	COUNTY	TOTAL SHEETS	SHEET NO.
REVISED -	REGION 2 / DISTRICT 2 STANDARD				
REVISED -	SCALE: 1:2000	SHEET NO.	OF SHEETS	STA.	TO STA.
REVISED -	FED. ROAD DIST. NO.		ILLINOIS FED. AID PROJECT	CONTRACT NO.	

## DOUBLE INLET, SPECIAL 12.2

### INLET NOTE:

DISTRICT 2 INLET SPECIAL (STANDARD 10.2) AND DISTRICT 2 DOUBLE INLET, SPECIAL (STANDARD 12.2) SHALL BOTH BE COUNTED AND PAID FOR UNDER CONTRACT ITEM X6024240 - INLETS, SPECIAL. SINGLE INLETS (STANDARD 10.2) WILL BE COUNTED FOR PAYMENT AS ONE (1) EACH - INLETS, SPECIAL. DOUBLE INLETS (STANDARD 12.2) WILL BE COUNTED FOR PAYMENT AS TWO (2) EACH - INLETS, SPECIAL.

NO.	REVISIONS DESCRIPTION	DATE

**Missman, Inc.**  
Professional Engineers & Land Surveyors

Rock Island, IL (309) 788-7644  
Bellingham, WA (509) 344-0260  
Rockford, IL (815) 965-6400  
Sycamore, IL (815) 885-3825  
www.missman.com

STATE STREET RE-CONSTRUCTION  
GENESECO, ILLINOIS  
DISTRICT STANDARDS - 1

Missman Project No: A10M008  
File Name: A10M008.DISTRICT 2 STANDARDS  
© COPYRIGHT 2013 ALL RIGHTS RESERVED  
Field Book No: #####  
Drawn By: WKS  
Checked By: JLM  
Date: 11/19/2012  
**61**  
Sheet 61 of 99