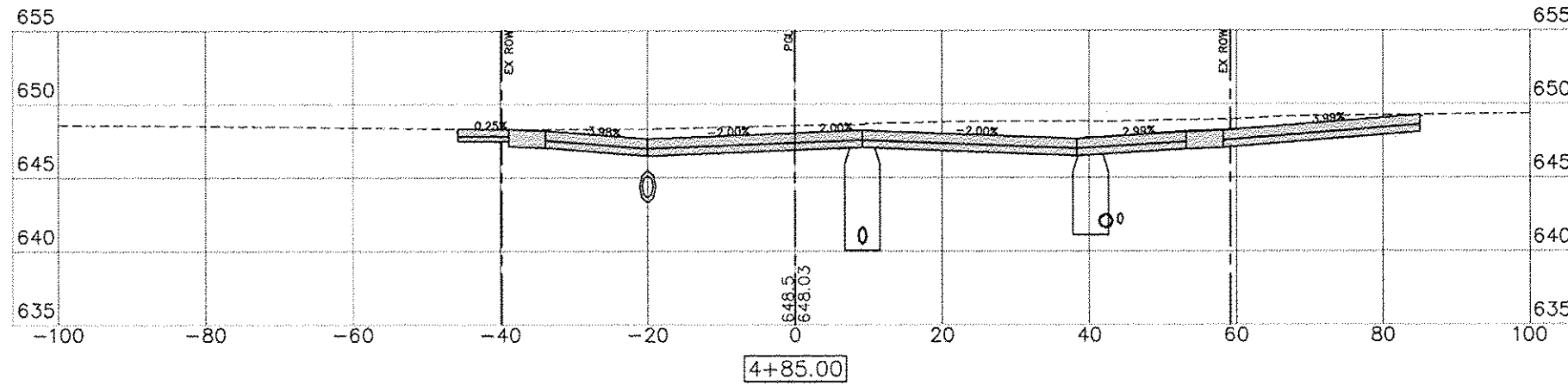


G:\2010\UUNA\10M008-Geneseo-S State St. Sewer\Water\Drawings\Plot\A10M008 X SECTIONS.dwg, 3/7/2013 9:56:06 AM, jeffm

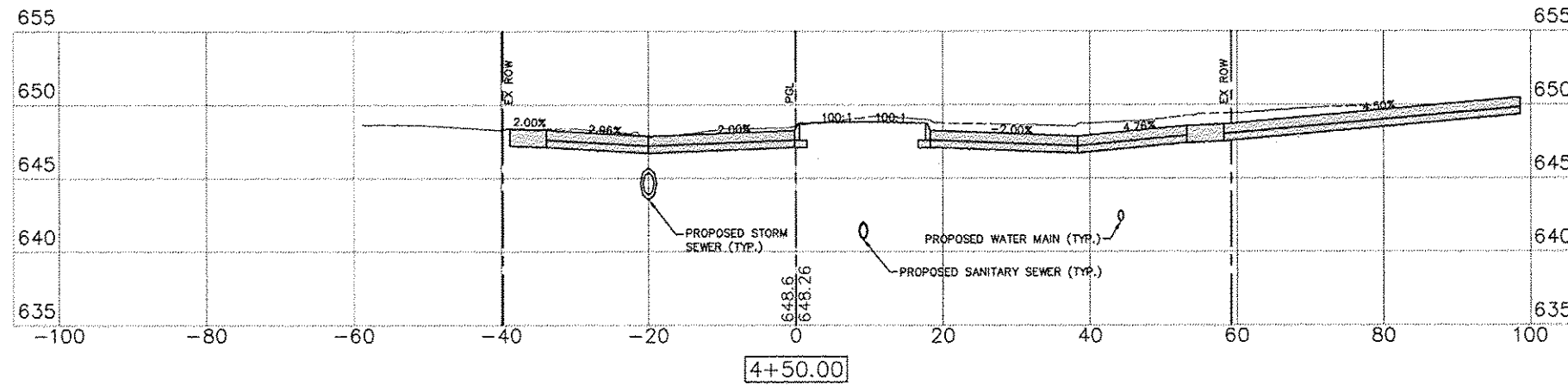
SCALE:
1" = 10' H
1" = 5' V

LEGEND
PGL = PROFILE GRADE LINE (CONTROL LINE)
TCE = TEMPORARY CONSTRUCTION EASEMENT
EX ROW = EXISTING RIGHT OF WAY

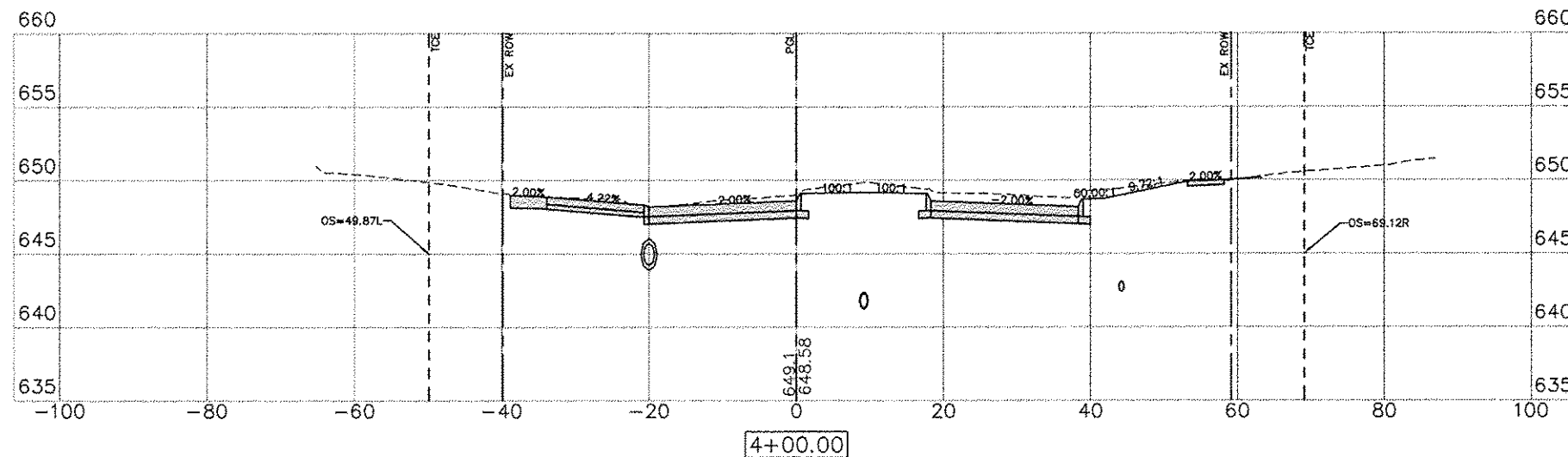


C= 34.79 F= 13.19

SOUTH STREET



C= 34.88 F= 5.59



C= 30.43 F= 11.72

REVISIONS	DESCRIPTION	DATE
No.		

MISSMAN, INC.
Professional Engineers & Land Surveyors

Rock Island, IL • Bettendorf, IA • Rockford, IL • Sycamore, IL
(815) 788-7644 • (815) 344-0286 • (815) 962-6140 • (616) 856-3825
www.missman.com

STATE STREET RE-CONSTRUCTION
GENESEO, ILLINOIS
CROSS SECTIONS - 6

Missman Project No:
A10M008
File Name:
A10M008 X SECTIONS.dwg
© COPYRIGHT 2013
ALL RIGHTS RESERVED
Field Book No: ###
Drawn By: WKS
Checked By: JLM
Date: 11/19/2012