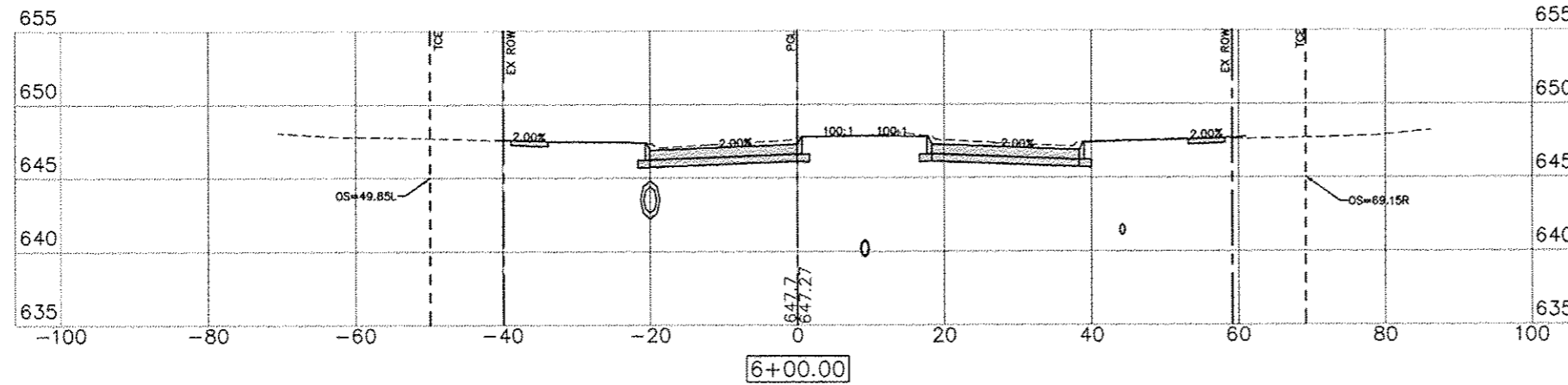


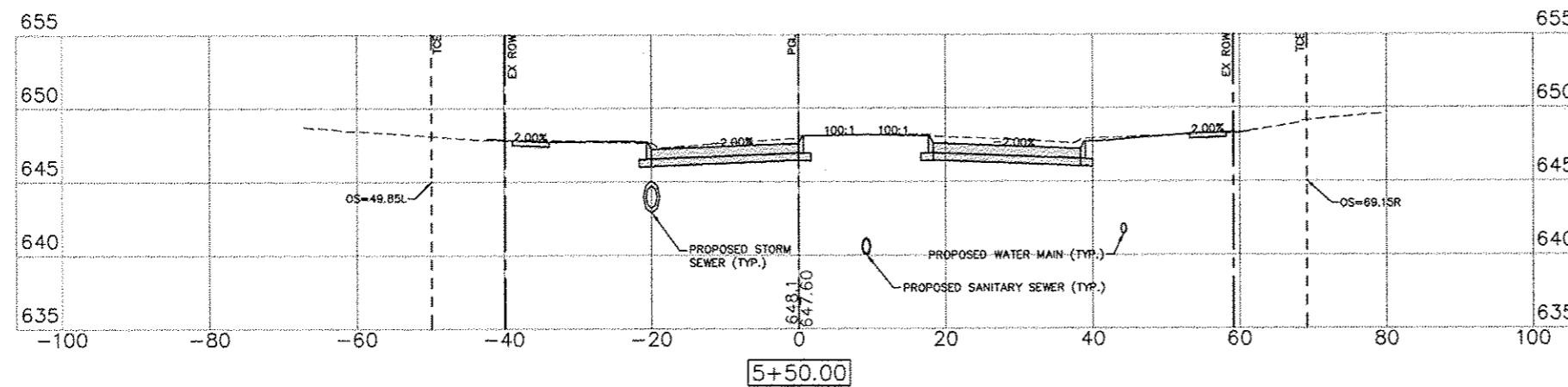
G:\2010MUNA\10M008-Geneseo- S State St. SewerWaterDrawings\Plot\A10M008 X SECTIONS.dwg, 3/7/2013 9:56:41 AM, jefim

SCALE:
1" = 10' H
1" = 5' V

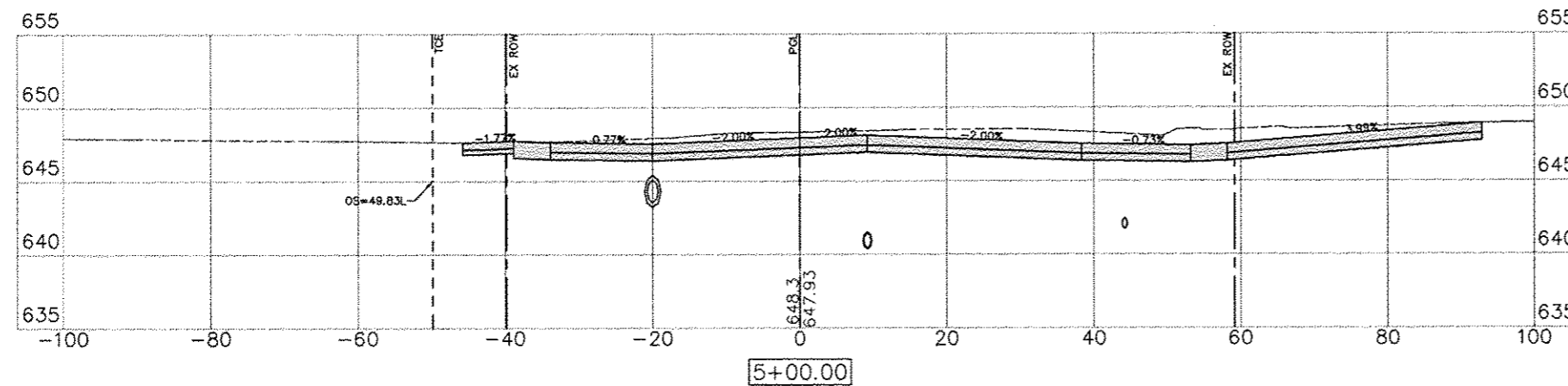
LEGEND:
PGL = PROFILE GRADE LINE (CONTROL LINE)
TCE = TEMPORARY CONSTRUCTION EASEMENT
EX ROW = EXISTING RIGHT OF WAY



C= 45.36 F= 11.95



C= 62.03 F= 1.83



C= 25.45 F= 35.84

SOUTH STREET

No.	REVISIONS DESCRIPTION	DATE

Missman, Inc.
Professional Engineers & Land Surveyors

Rock Island, IL • Bettendorf, IA • Rockford, IL • Sycamore, IL
(563) 788-7644 • (563) 344-4260 • (615) 965-6400 • (615) 855-3825
www.missman.com

STATE STREET RE-CONSTRUCTION
GENESEO, ILLINOIS
CROSS SECTIONS - 7

Missman Project No:
A10M008
File Name:
A10M008 X SECTIONS.dwg
© COPYRIGHT 2013
ALL RIGHTS RESERVED
Field Book No: ###
Drawn By: WKS
Checked By: JLM
Date: 11/19/2012