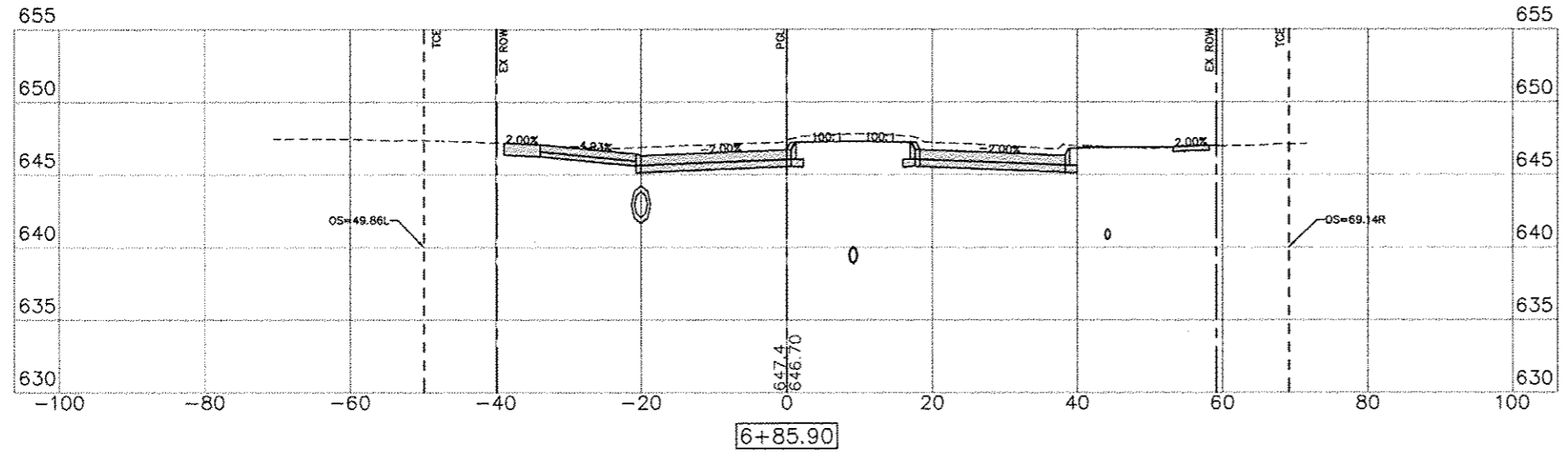


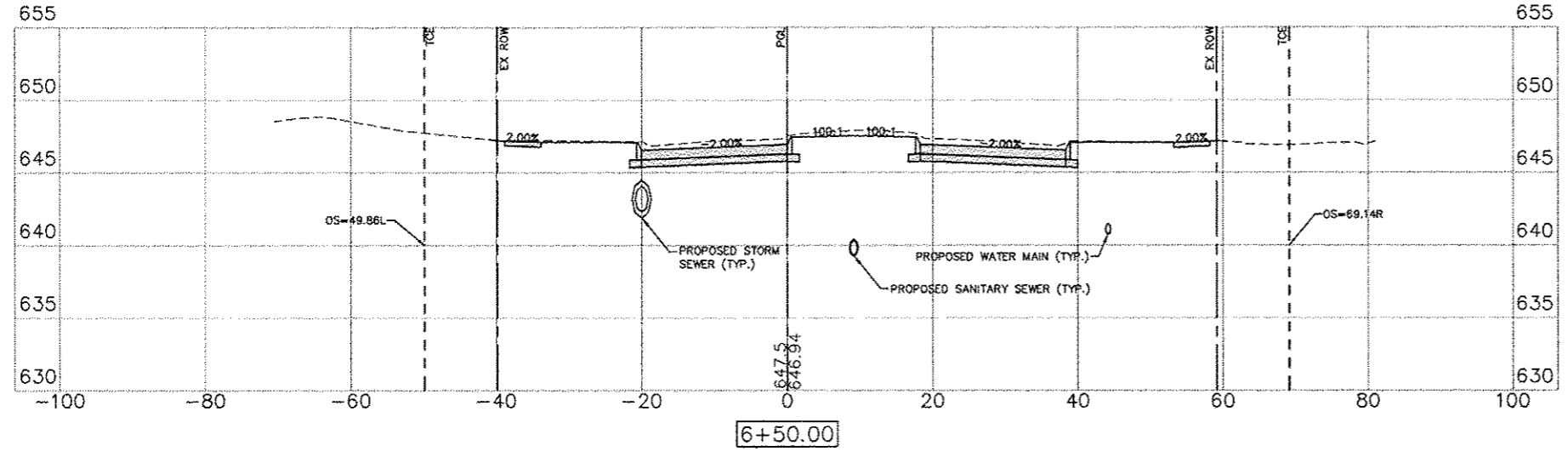
G:\2010\MU\NA10M008-Genesee-S State St_Sewer\WaterDrawings\Plot\A10M008 X SECTIONS.dwg, 3/7/2013 9:57:16 AM, jefrm

SCALE:
1" = 10' H
1" = 5' V

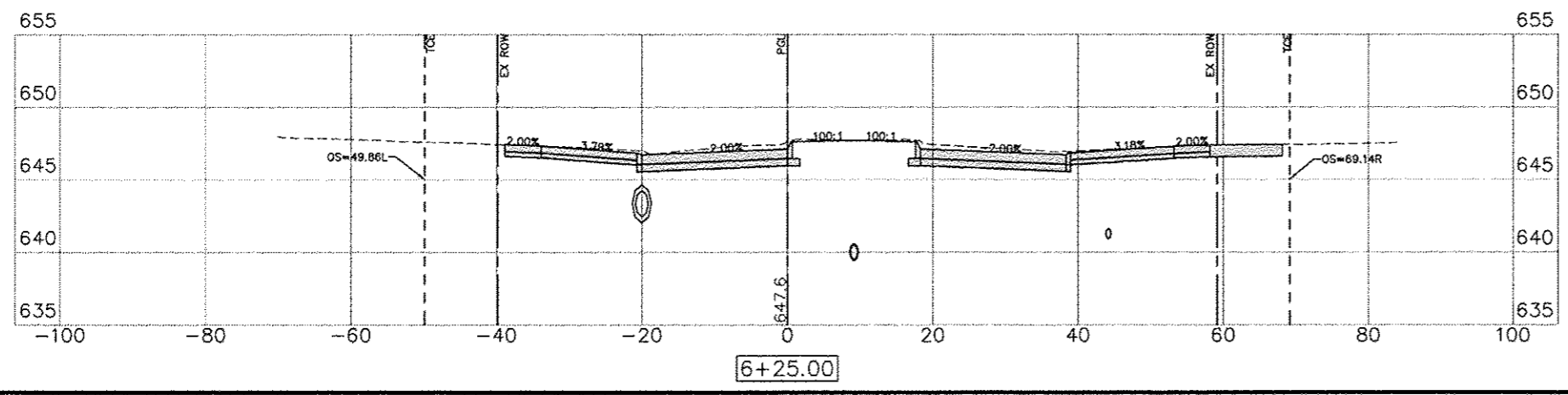
LEGEND:
PGL = PROFILE GRADE LINE (CONTROL LINE)
TCE = TEMPORARY CONSTRUCTION EASEMENT
EX ROW = EXISTING RIGHT OF WAY



C= 26.49 F= 16.03

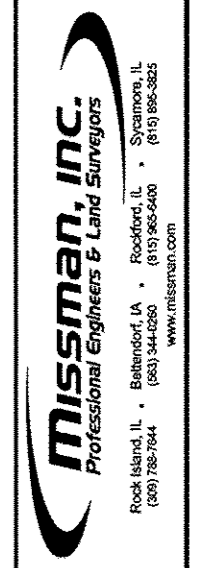


C= 44.04 F= 15.48



C= 14.66 F= 20.65

REVISIONS		DATE
No.	DESCRIPTION	



STATE STREET RE-CONSTRUCTION
GENESE, ILLINOIS
CROSS SECTIONS - 8

Missman Project No:
A10M008
File Name:
A10M008 X SECTIONS.dwg
© COPYRIGHT 2013
ALL RIGHTS RESERVED
Field Book No:####
Drawn By: WKS
Checked By: JLM
Date: 11/19/2012