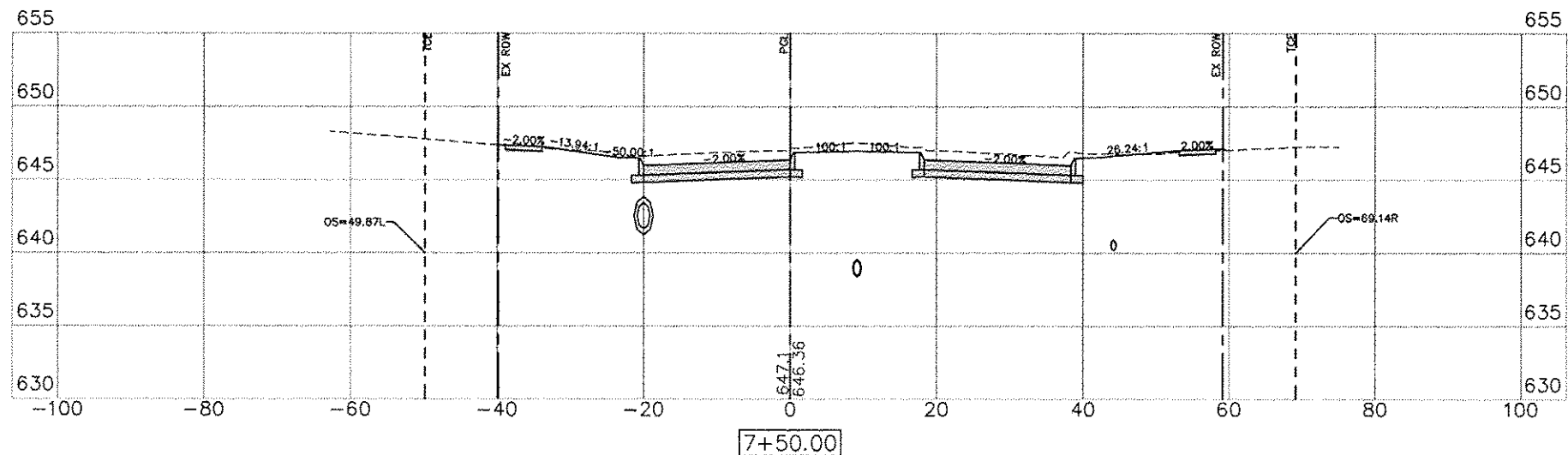


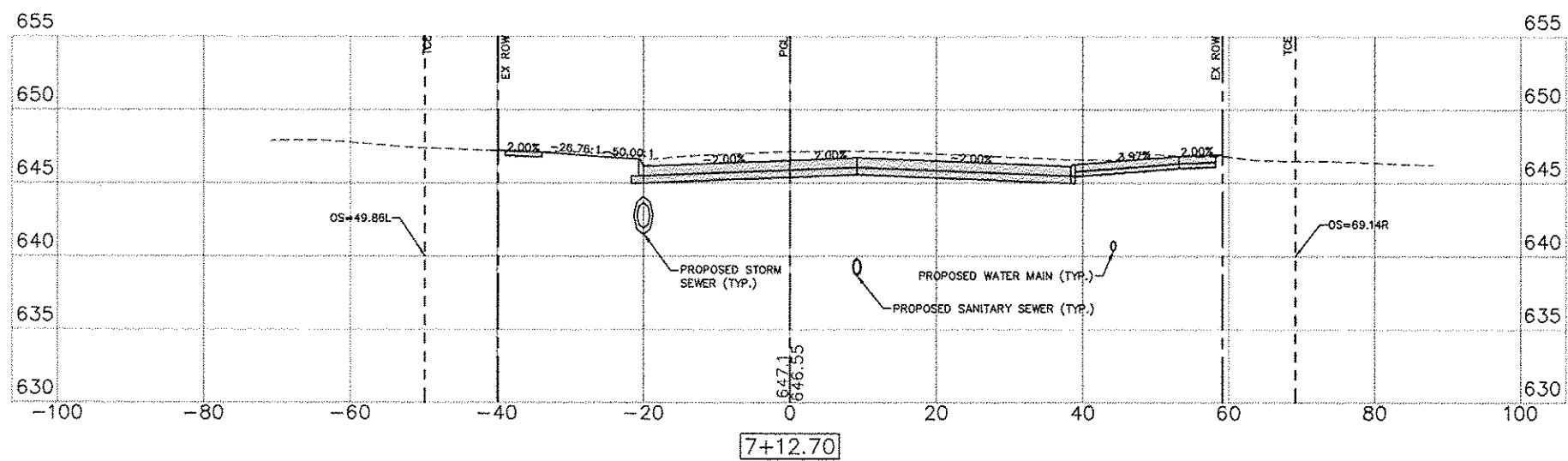
G:\2010\MIUNNA 10M008-Geneseo - S.State St. Sewer\WaterDrawings\PlotA\10M008 X SECTIONS.dwg, 3/7/2013 9:57:52 AM, jeffm

SCALE:
1" = 10' H
1" = 5' V

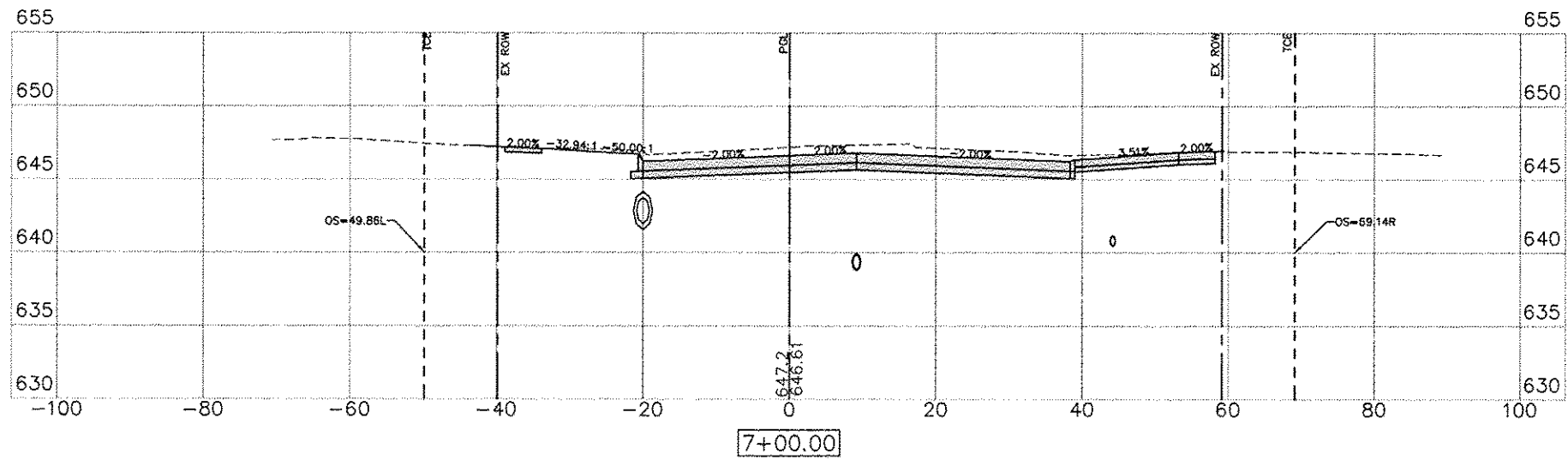
LEGEND:
PGL = PROFILE GRADE LINE (CONTROL LINE)
TCE = TEMPORARY CONSTRUCTION EASEMENT
EX ROW = EXISTING RIGHT OF WAY



C= 50.30 F= 12.76



C= 49.33 F= 17.14



C= 45.46 F= 18.27

REVISIONS	DESCRIPTION	DATE
No.		

Missman, Inc.
Professional Engineers & Land Surveyors

Rock Island, IL • Bettendorf, IA • Sycamore, IL
 Rockford, IL • (815) 965-6400 • (815) 965-3825
 (815) 344-0260 • www.missman.com

STATE STREET RE-CONSTRUCTION
GENESEO, ILLINOIS

CROSS SECTIONS - 9

Missman Project No:
A10M008

File Name:
A10M008 X SECTIONS.dwg

© COPYRIGHT 2013
ALL RIGHTS RESERVED

Field Book No: ###

Drawn By: WKS

Checked By: JLM

Date: 11/19/2012