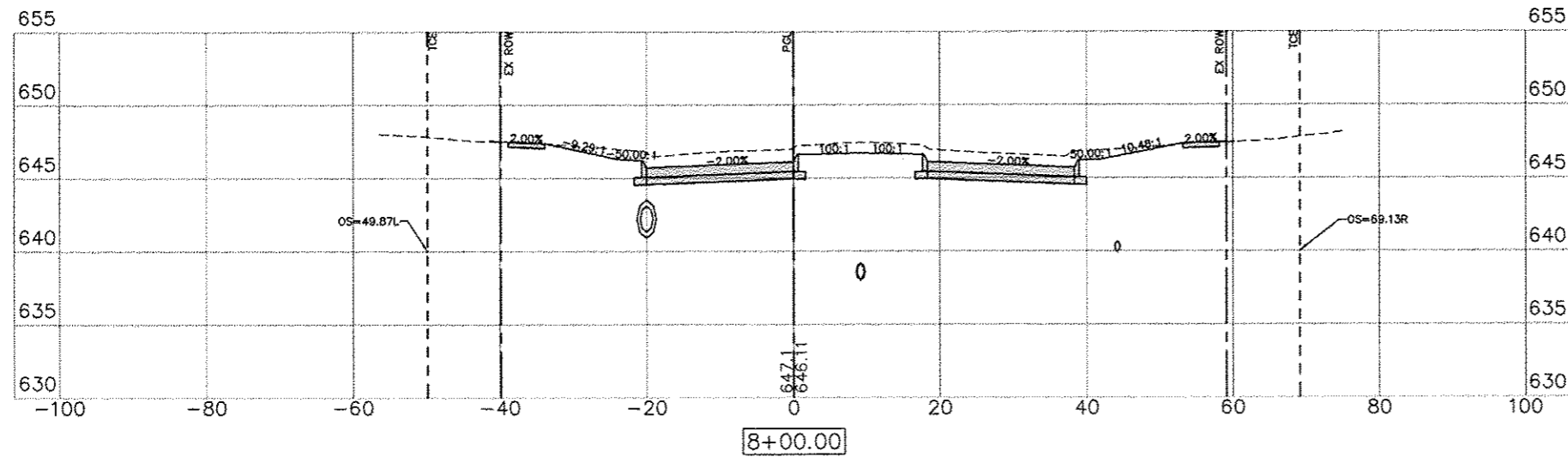
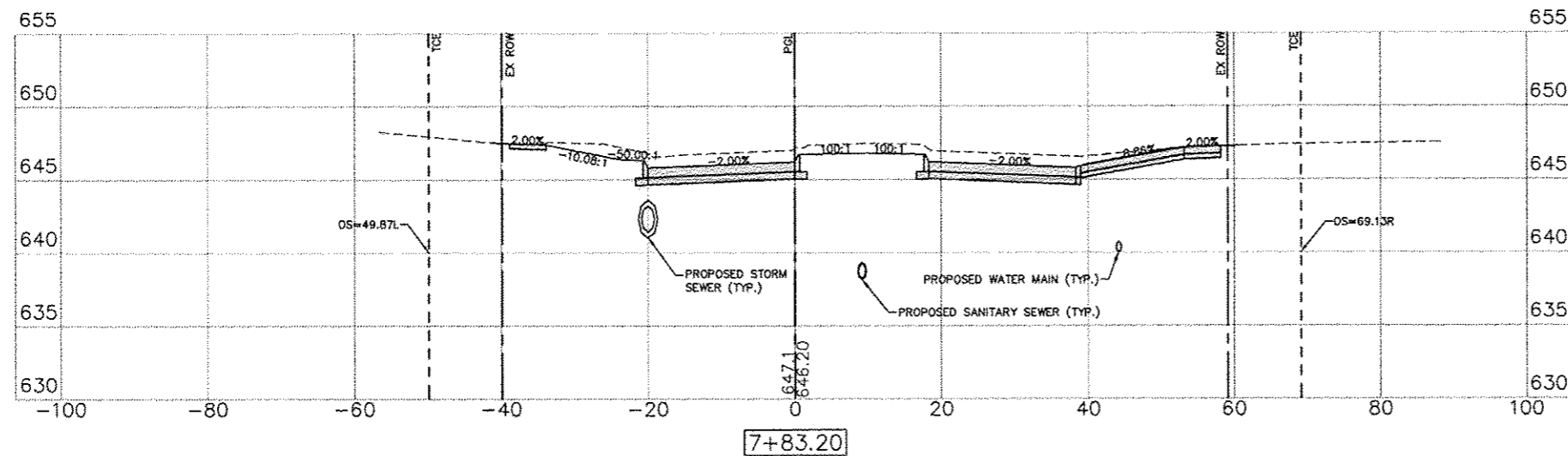


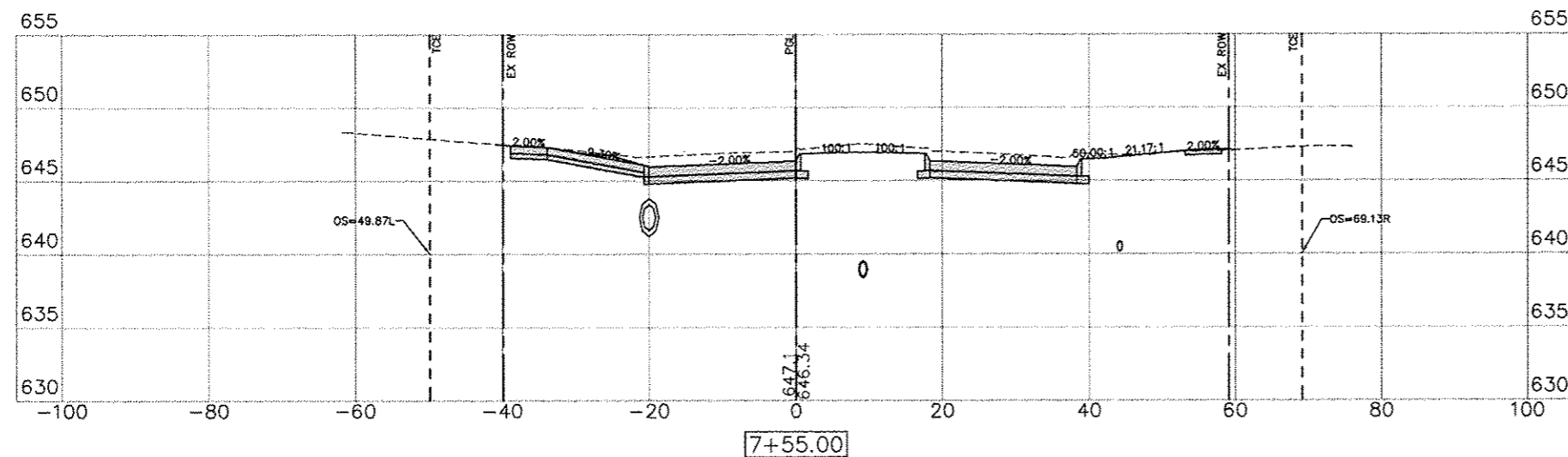
G:\2010\AKUNA\10M008-Geneseo-S.State St. Sewer\WaterDrawings\Pict\A\10M008 X SECTIONS.dwg, 3/7/2013 9:58:27 AM, jefrm



C= 71.76 F= 2.34



C= 50.99 F= 4.35



C= 51.63 F= 10.33

SCALE:  
1" = 10' H  
1" = 5' V

LEGEND:  
PGL = PROFILE GRADE LINE (CONTROL LINE)  
TCE = TEMPORARY CONSTRUCTION EASEMENT  
EX ROW = EXISTING RIGHT OF WAY

REVISIONS		DATE
No.	DESCRIPTION	



STATE STREET RE-CONSTRUCTION  
GENESEO, ILLINOIS  
CROSS SECTIONS - 10

Missman Project No.  
A10M008  
File Name:  
A10M008 X SECTIONS.dwg  
© COPYRIGHT 2013  
ALL RIGHTS RESERVED  
Field Book No:####  
Drawn By: WKS  
Checked By: JLM  
Date: 11/19/2012

78

Sheet 78 of 99