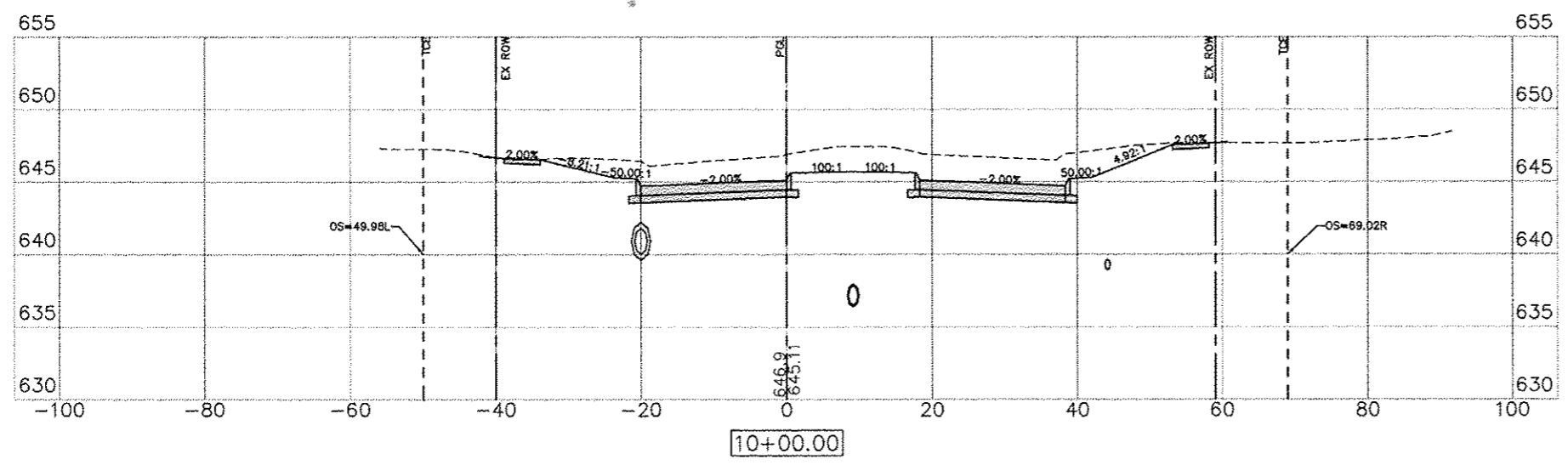


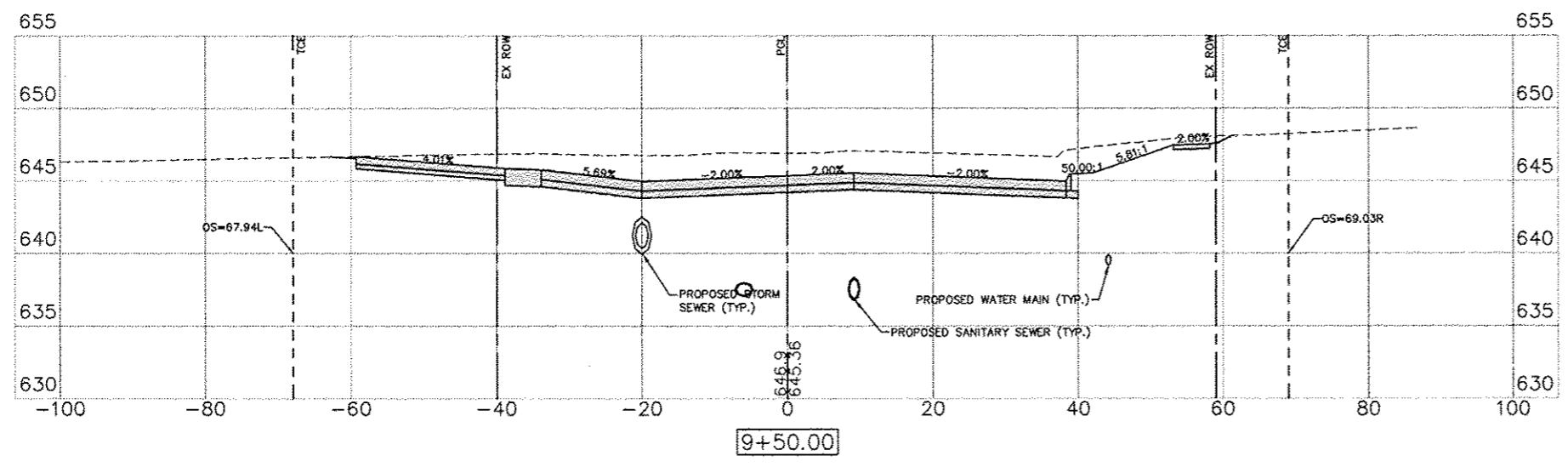
G:\2010\UUNA10M008-Genseco-S.State St. SewerWaterDrawings\Plot\A10M008 X SECTIONS.dwg, 3/7/2013 9:59:37 AM, jefirm

SCALE:  
1" = 10' H  
1" = 5' V

LEGEND:  
PGL = PROFILE GRADE LINE (CONTROL LINE)  
TCE = TEMPORARY CONSTRUCTION EASEMENT  
EX ROW = EXISTING RIGHT OF WAY

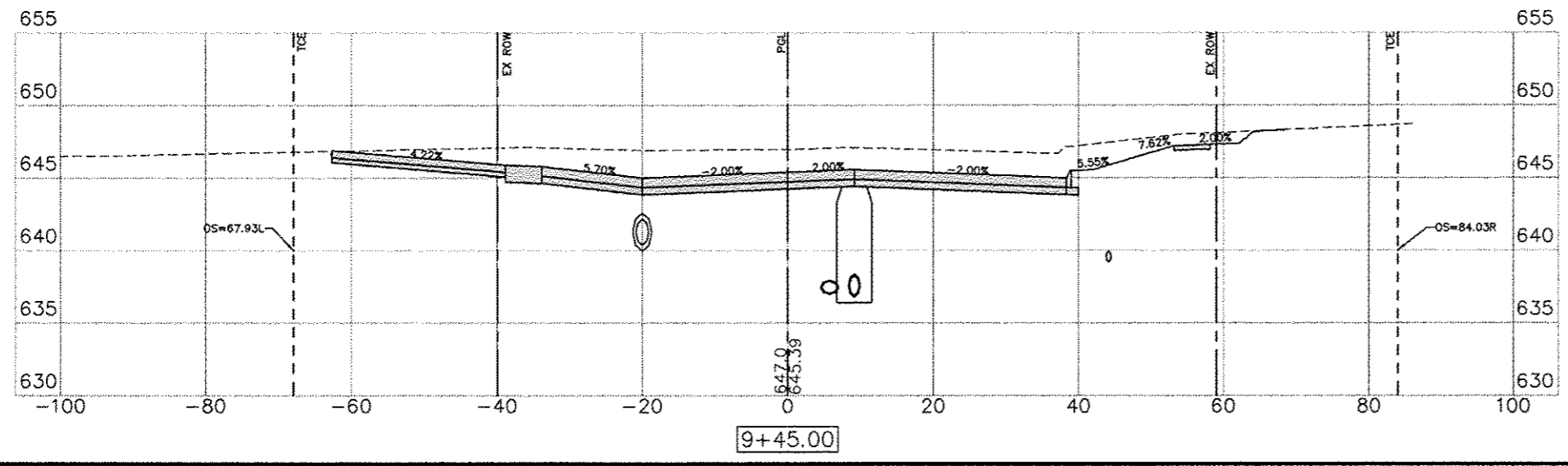


C= 110.63 F= 0.26



C= 142.50 F= 4.38

LOCUST STREET



C= 166.74 F= 0.61

REVISIONS	
NO.	DESCRIPTION

**Missman, inc.**  
Professional Engineers & Land Surveyors

Rock Island, IL • Bettendorf, IA • Rockford, IL • Sycamore, IL  
(309) 788-7844 • (663) 344-0260 • (815) 965-8400 • (815) 885-3825  
www.missman.com

STATE STREET RE-CONSTRUCTION  
GENESEO, ILLINOIS  
CROSS SECTIONS - 12

Missman Project No:  
A10M008  
File Name:  
A10M008 X SECTIONS.dwg  
© COPYRIGHT 2013  
ALL RIGHTS RESERVED  
Field Book No:####  
Drawn By: WKS  
Checked By: JLM  
Date: 11/19/2012