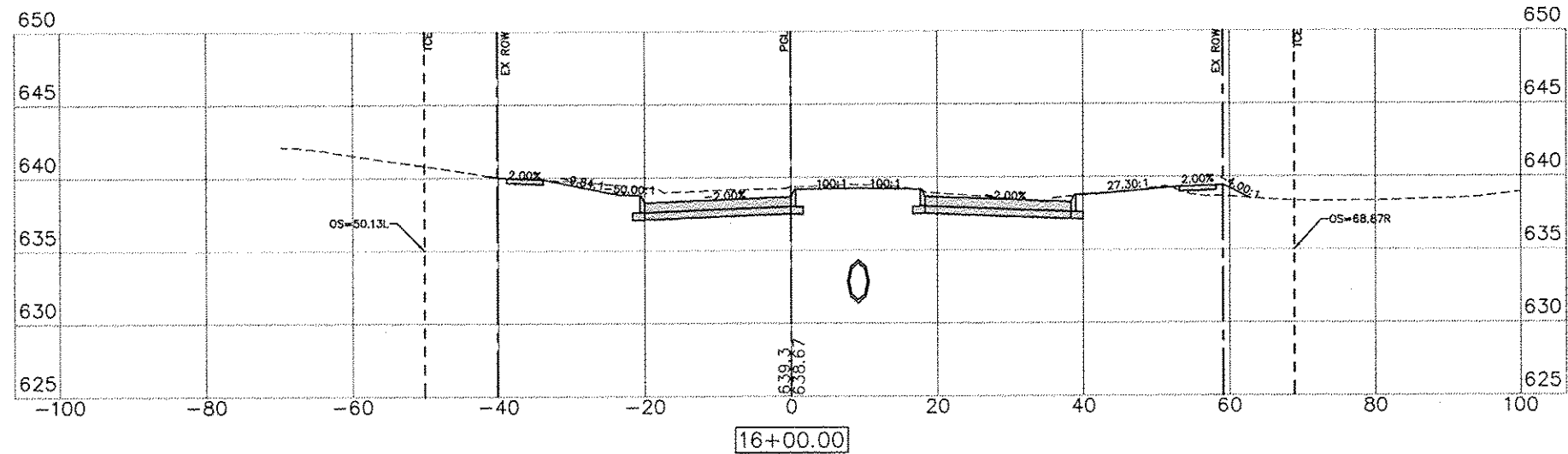
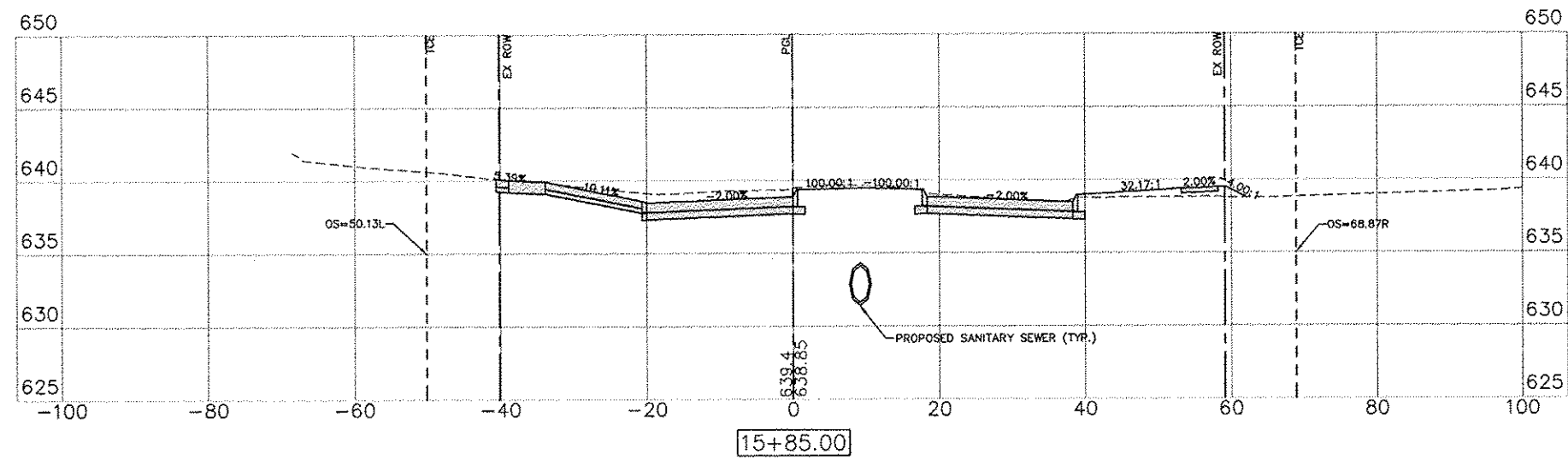


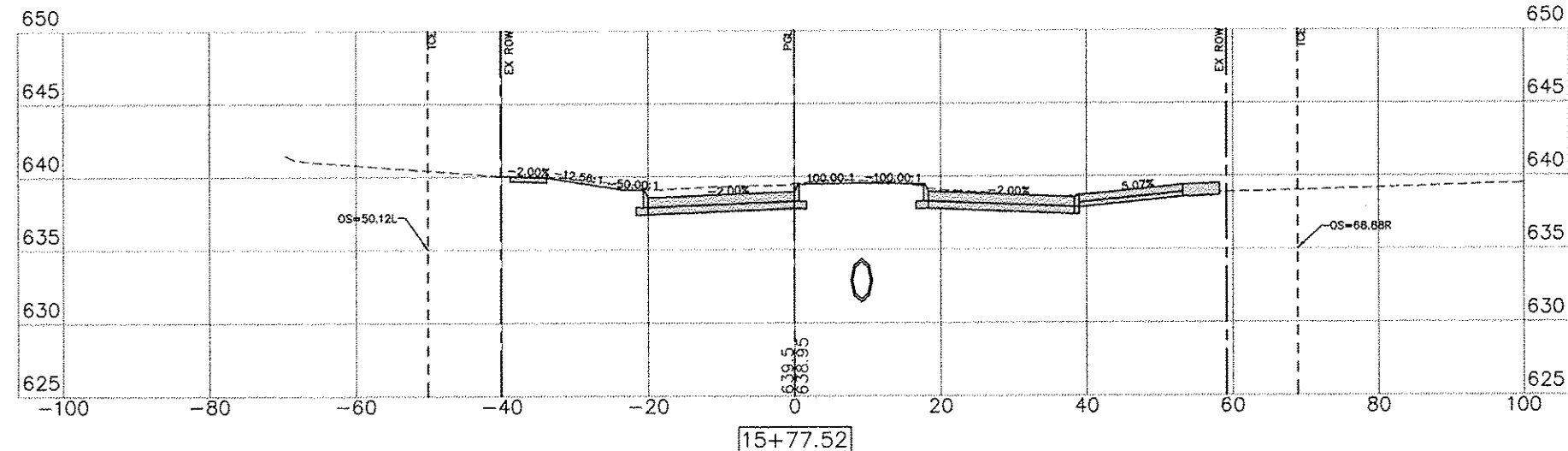
G:\2010MUNA\10M008-Geneseo - S.State St. Sewer\WaterDrawings\Plot\A10M008 X SECTIONS.dwg, 3/7/2013 10:04:57 AM, jefrm



C= 30.81 F= 6.13



C= 18.03 F= 19.18



C= 16.16 F= 13.80

SCALE:
1" = 10' H
1" = 5' V

LEGEND:
PGL = PROFILE GRADE LINE (CONTROL LINE)
TCE = TEMPORARY CONSTRUCTION EASEMENT
EX ROW = EXISTING RIGHT OF WAY

REVISIONS	DESCRIPTION	DATE
No.		

Missman, Inc.
Professional Engineers & Land Surveyors

Rock Island, IL • Bettendorf, IA • Rockford, IL • Sycamore, IL
(800) 798-7644 • (563) 344-0266 • (815) 962-6400 • (815) 685-3825
www.missman.com

STATE STREET RE-CONSTRUCTION
GENESEO, ILLINOIS
CROSS SECTIONS - 21

Missman Project No:
A10M008
File Name:
A10M008 X SECTIONS.dwg
© COPYRIGHT 2013
ALL RIGHTS RESERVED
Field Book No. ###
Drawn By: WKS
Checked By: JLM
Date: 11/19/2012