

STATE OF ILLINOIS
DEPARTMENT OF TRANSPORTATION

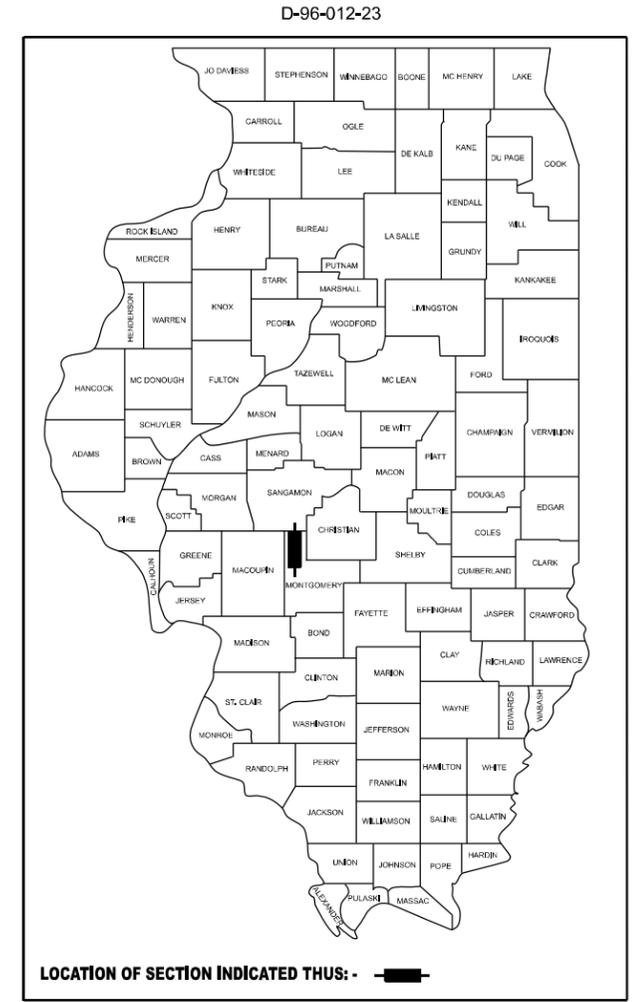
F.A.I. RTE.	SECTION	COUNTY	TOTAL SHEETS	SHEET NO.
55	68-5(RS-4, CLV)	MONTGOMERY	34	1
		ILLINOIS	CONTRACT NO. 72304	

FOR INDEX OF SHEETS, SEE SHEET NO. 2

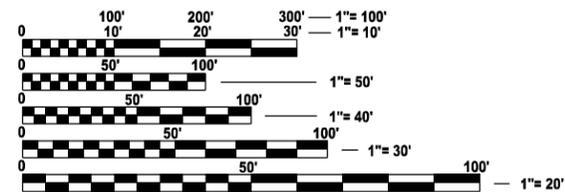
**PROPOSED
HIGHWAY PLANS**

**FAI ROUTE 55 (I-55)
SECTION 68-5 (RS-4, CLV)
PROJECT NHPP-HZL6(245)
INTERSTATE SMART OVERLAY AND CULVERT REPAIR
MONTGOMERY COUNTY**

C-96-050-23



ROADWAY CLASSIFICATION
INTERSTATE
AVERAGE DAILY TRAFFIC YEAR 2023
ADT: 31,000 (MU=24.19%, SU=2.34%, PV=73.47%)

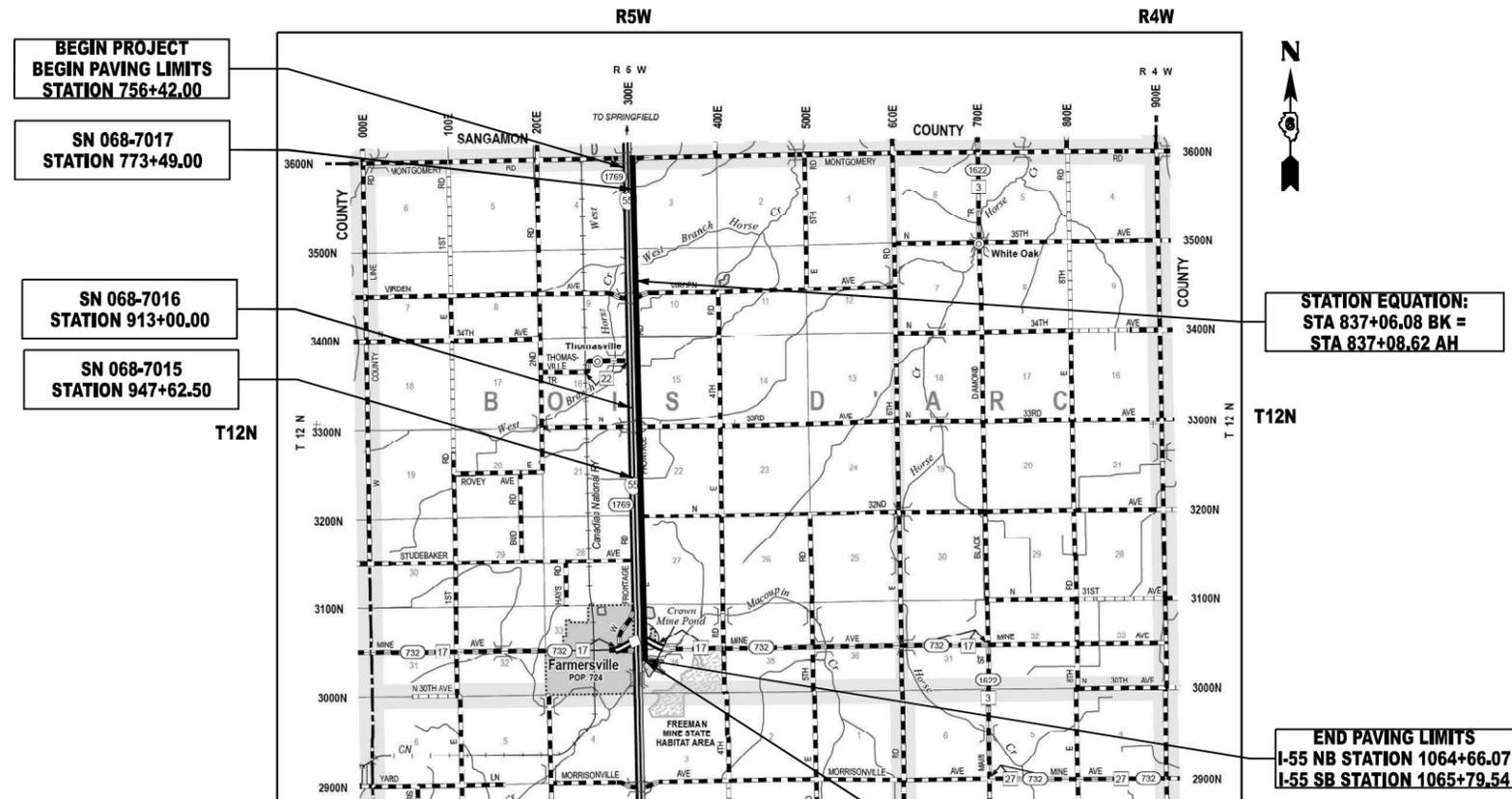


FULL SIZE PLANS HAVE BEEN PREPARED USING STANDARD ENGINEERING SCALES. REDUCED SIZED PLANS WILL NOT CONFORM TO STANDARD SCALES. IN MAKING MEASUREMENTS ON REDUCED PLANS, THE ABOVE SCALES MAY BE USED.

J.U.L.I.E.
JOINT UTILITY LOCATION INFORMATION FOR EXCAVATION
1-800-892-0123
OR 811

PROJECT ENGINEER: JAY EDWARDS (217-785-0597)
PROJECT MANAGER: ROBERT MILES (217-524-8911)

CONTRACT NO. 72304



STATE OF ILLINOIS
DEPARTMENT OF TRANSPORTATION

SUBMITTED February 2, 2024

Jay P. Myers
REGIONAL ENGINEER

March 22, 2024
Steph M. Edwards
ENGINEER OF DESIGN AND ENVIRONMENT

March 22, 2024
Steph M. Edwards
DIRECTOR OF HIGHWAYS PROJECT IMPLEMENTATION

**PRINTED BY THE AUTHORITY
OF THE STATE OF ILLINOIS**

CODE NO.	ITEM	UNIT	TOTAL QUANTITY	6-01476-0000		6-01575-0000	
				90% FED 10% STATE		90% FED 10% STATE	
				ROADWAY	BOX CULVERT	BOX CULVERT	BOX CULVERT
				0005 RURAL	0004 068-7015	0004 068-7016	0004 068-7017
40600290	BITUMINOUS MATERIALS (TACK COAT)	POUND	88944	88944			
40600372	LONGITUDINAL JOINT SEALANT, HALF-WIDTH	FOOT	130738	130738			
40604174	POLYMERIZED HOT-MIX ASPHALT SURFACE COURSE, IL-9.5, MIX "E", N90	TON	16603	16603			
44200050	WELDED WIRE REINFORCEMENT	SQ YD	36	36			
44000155	HOT-MIX ASPHALT SURFACE REMOVAL, 1 1/2"	SQ YD	197652	197652			
44200645	CLASS A PATCHES, TYPE II, 16 INCH	SQ YD	94	94			
44200647	CLASS A PATCHES, TYPE IV, 16 INCH	SQ YD	54	54			
44201043	CLASS B PATCHES, TYPE II, 16 INCH	SQ YD	73	73			
44201048	CLASS B PATCHES, TYPE IV, 16 INCH	SQ YD	36	36			
44201298	DOWEL BARS 1 1/4"	EACH	196	196			
44213000	PATCHING REINFORCEMENT	SQ YD	147	147			
44213200	SAW CUTS	FOOT	1308	1308			
44213204	TIE BARS 3/4"	EACH	13	13			
50105220	PIPE CULVERT REMOVAL	FOOT	78		24	34	20

MODEL: Summary of Quantities-1 (Sheet)
 FILE NAME: c:\p\work\paw\sydnie.schwarz@illinois.gov\d0824879\0672304-shr-SQQ.dgn

REV. - MS

USER NAME = Sydnie Schwarz	DESIGNED -	REVISED -
	DRAWN -	REVISED -
PLOT SCALE = 0.16666633 / in.	CHECKED -	REVISED -
PLOT DATE = 1/25/2024	DATE -	REVISED -

**STATE OF ILLINOIS
DEPARTMENT OF TRANSPORTATION**

SUMMARY OF QUANTITIES

SCALE: N/A SHEET 1 OF 4 SHEETS STA. TO STA.

F A I RTE.	SECTION	COUNTY	TOTAL SHEETS	SHEET NO.
55	68-5(RS-4, CLV)	MONTGOMERY	34	3
ILLINOIS FED. AID PROJECT			CONTRACT NO. 72304	

55, 1-55 68-5(RS-4), CLV

CODE NO.	ITEM	UNIT	TOTAL QUANTITY	6-01476-0000		6-01575-0000	
				90% FED 10% STATE		90% FED 10% STATE	
				ROADWAY	BOX CULVERT	BOX CULVERT	BOX CULVERT
				0005 RURAL	0004 068-7015	0004 068-7016	0004 068-7017
50800105	REINFORCEMENT BARS	POUND	480		264	125	91
54002020	EXPANSION BOLTS 3/4 INCH	EACH	24			16	8
542A0271	PIPE CULVERTS, CLASS A, TYPE 1 66"	FOOT	24		24		
542D0229	PIPE CULVERTS, CLASS D, TYPE 1 24"	FOOT	54			34	20
54244805	INLET BOX, STANDARD 542501	EACH	6			4	2
54248510	CONCRETE COLLAR	CU YD	5.5		3.5	1.1	0.9
54260315	TRAVERSABLE PIPE GRATE FOR CONCRETE END SECTION	FOOT	78		26	52	
59300100	CONTROLLED LOW-STRENGTH MATERIAL	CU YD	31	31			
67000400	ENGINEER'S FIELD OFFICE, TYPE A	CAL MO	6	6			
67100100	MOBILIZATION	L SUM	1	1			
70100420	TRAFFIC CONTROL AND PROTECTION, STANDARD 701411	EACH	4	4			
70100450	TRAFFIC CONTROL AND PROTECTION, STANDARD 701201	L SUM	1	1			
70100800	TRAFFIC CONTROL AND PROTECTION, STANDARD 701401	L SUM	1	1			
70100820	TRAFFIC CONTROL AND PROTECTION, STANDARD 701451	L SUM	1	1			

MODEL: Summary of Quantities - 2 (Sheet)
 FILE NAME: c:\p\work\paw\sydnieschwarz@illinois.gov\d0824879\0672304-sh1-SQO.dgn

REV. - MS

USER NAME = Sydney Schwarz	DESIGNED -	REVISED -	STATE OF ILLINOIS DEPARTMENT OF TRANSPORTATION	SUMMARY OF QUANTITIES				F A I RTE.	SECTION	COUNTY	TOTAL SHEETS	SHEET NO.		
PLOT SCALE = 0.16666633 / in.	DRAWN -	REVISED -		SCALE: N/A	SHEET 2	OF 4	SHEETS	STA.	TO STA.	55	68-5(RS-4, CLV)	MONTGOMERY	34	4
PLOT DATE = 1/18/2024	CHECKED -	REVISED -		CONTRACT NO. 72304										
	DATE -	REVISED -		ILLINOIS FED. AID PROJECT										

55, 1-55 68-5(RS-4), CLV

CODE NO.	ITEM	UNIT	TOTAL QUANTITY	6-01476-0000		6-01575-0000	
				90% FED 10% STATE		90% FED 10% STATE	
				ROADWAY	BOX CULVERT	BOX CULVERT	BOX CULVERT
				0005	0004	0004	0004
				RURAL	068-7015	068-7016	068-7017
70100825	TRAFFIC CONTROL AND PROTECTION, STANDARD 701456	L SUM	1	1			
70107025	CHANGEABLE MESSAGE SIGN	CAL DA	88	88			
70200100	NIGHTTIME WORK ZONE LIGHTING	L SUM	1	1			
70300100	SHORT TERM PAVEMENT MARKING	FOOT	9975	9975			
70300150	SHORT TERM PAVEMENT MARKING REMOVAL	SQ FT	3325	3325			
* 78004200	PREFORMED PLASTIC PAVEMENT MARKING, TYPE B - INLAID - LETTERS AND SYMBOLS	SQ FT	97	97			
* 78004220	PREFORMED PLASTIC PAVEMENT MARKING, TYPE B - INLAID - LINE 5"	FOOT	15961	15961			
* 78004280	PREFORMED PLASTIC PAVEMENT MARKING, TYPE B - INLAID - LINE 24"	FOOT	79	79			
* 78009005	MODIFIED URETHANE PAVEMENT MARKING - LINE 5"	FOOT	137617	137617			
* 78009008	MODIFIED URETHANE PAVEMENT MARKING - LINE 8"	FOOT	3391	3391			
* 78009012	MODIFIED URETHANE PAVEMENT MARKING - LINE 12"	FOOT	512	512			
* 78011030	GROOVING FOR RECESSED PAVEMENT MARKING 6"	FOOT	137617	137617			
* 78011045	GROOVING FOR RECESSED PAVEMENT MARKING 9"	FOOT	3391	3391			
* 78011065	GROOVING FOR RECESSED PAVEMENT MARKING 13"	FOOT	512	512			

* SPECIALTY ITEM

REV. - MS

MODEL: Summary of Quantities - 3 (Sheet)
FILE NAME: c:\p\work\pav\shyche.schwarz@illinois.gov\d0824879\0672304-sh1-SQO.dgn

USER NAME = Sydney Schwarz	DESIGNED -	REVISED -
	DRAWN -	REVISED -
PLOT SCALE = 0.16666633 / in.	CHECKED -	REVISED -
PLOT DATE = 1/25/2024	DATE -	REVISED -

**STATE OF ILLINOIS
DEPARTMENT OF TRANSPORTATION**

SUMMARY OF QUANTITIES

SCALE: N/A SHEET 3 OF 4 SHEETS STA. TO STA.

F A I RTE.	SECTION	COUNTY	TOTAL SHEETS	SHEET NO.
55	68-5(RS-4, CLV)	MONTGOMERY	34	5
ILLINOIS FED. AID PROJECT			CONTRACT NO. 72304	

55, 1-55 68-5(RS-4), CLV

CODE NO.	ITEM	UNIT	TOTAL QUANTITY	6 - 01476 - 0000		6 - 01575 - 0000	
				90% FED 10% STATE		90% FED 10% STATE	
				ROADWAY	BOX CULVERT	BOX CULVERT	BOX CULVERT
				0005 RURAL	0004 068 - 7015	0004 068 - 7016	0004 068 - 7017
* 78100100	RAISED REFLECTIVE PAVEMENT MARKER	EACH	1693	1693			
78300200	RAISED REFLECTIVE PAVEMENT MARKER REMOVAL	EACH	1693	1693			
X2503000	MAINTENANCE MOWING	ACRE	87	87			
X4060107	BITUMINOUS MATERIALS (FOG SEAL)	POUND	76696	76696			
X5010523	REMOVE CONCRETE END SECTION	EACH	6			4	2
X5430224	CURED-IN-PLACE PIPE LINER, 24"	FOOT	140	140			
X6010100	CLEANING UNDERDRAIN OUTLETS	EACH	247	247			
X6026800	INLETS TO BE RECONSTRUCTED (SPECIAL)	EACH	1	1			
X6650208	WOVEN WIRE FENCE REMOVAL AND REPLACEMENT	FOOT	150		150		
∅ Z0076600	TRAINEES	HOUR	2000	2000			
X6670201	OUTLET MARKER	EACH	247	247			
∅ Z0076604	TRAINEES TRAINING PROGRAM GRADUATE	HOUR	2000	2000			
Z0034105	MATERIAL TRANSFER DEVICE	TON	16603	16603			

* SPECIALTY ITEM

∅ 0042

REV. - MS

MODEL: Summary of Quantities - 4 (Sheet)
FILE NAME: c:\pwork\168016\168016.dwg

USER NAME = Sydnie Schwarz	DESIGNED -	REVISED -
	DRAWN -	REVISED -
PLOT SCALE = 0.16666633 / in.	CHECKED -	REVISED -
PLOT DATE = 1/25/2024	DATE -	REVISED -

**STATE OF ILLINOIS
DEPARTMENT OF TRANSPORTATION**

SUMMARY OF QUANTITIES

SCALE: SHEET 4 OF 4 SHEETS STA. TO STA.

F.A.I. RTE.	SECTION	COUNTY	TOTAL SHEETS	SHEET NO.
55	68-5(RS-4, CLV)	MONTGOMERY	34	6
ILLINOIS FED. AID PROJECT			CONTRACT NO. 72304	

55, 1-55 68-5(RS-4), CLV

MAINLINE & RAMP PAVING SCHEDULE						40600290	40600372	40604174	44000155	Z0034105
LOCATION	LENGTH (FT)	WIDTH (FT)	AREA (SF)	BITUMINOUS MATERIALS (TACK COAT) (POUND)	LONG JOINT SEALANT, HALF-WIDTH (FOOT)	POLYMERIZED HMA SURFACE COURSE, IL 9.5, MIX "E", N90 (TON)	HMA SURFACE REM 1 1/2" (SQ YD)	MATERIAL TRANSFER DEVICE (TON)		
FAI 55 (INTERSTATE 55) SB										
756+42.00	TO	837+06.08	8064.08	26.0	209666.1	10483.3	16128.2	1956.9	23296.2	1956.9
STA 837+06.08 BK = STA 837+08.62 AH										
837+08.62	TO	1065+79.54	22870.92	26.0	594643.9	29732.2	45741.8	5550.0	66071.5	5550.0
FAI 55 (INTERSTATE 55) NB										
756+42.00	TO	837+06.08	8064.08	26.0	209666.1	10483.3	16128.2	1956.9	23296.2	1956.9
STA 837+06.08 BK = STA 837+08.62 AH										
837+08.62	TO	1064+66.07	22757.45	26.0	591693.7	29584.7	45514.9	5522.5	65743.7	5522.5
RAMP A SB EXIT RAMP										
10+00.00	TO	16+56.47	VARIES (INCLUDES GORE)		12814.7	640.7	1312.9	119.6	1423.9	119.6
16+56.47	TO	34+48.86	1792.39	16.0	28678.2	1433.9		267.7	3186.5	267.7
34+48.86	TO	35+71.67	VARIES		4026.9	201.3		37.6	447.4	37.6
RAMP B SB ENTRANCE RAMP										
10+42.35	TO	11+14.12	VARIES		1923.2	96.2		17.9	213.7	17.9
11+14.12	TO	25+85.26	1471.14	16.0	23538.2	1176.9		219.7	2615.4	219.7
25+85.26	TO	37+22.98	VARIES (INCLUDES GORE)		14582.2	729.1	2275.4	136.1	1620.2	136.1
RAMP C NB EXIT RAMP										
10+00.00	TO	16+75.64	VARIES (INCLUDES GORE)		13042.4	652.1	1351.3	121.7	1449.2	121.7
16+75.64	TO	32+55.03	1579.39	16.0	25270.2	1263.5		235.9	2807.8	235.9
32+55.03	TO	33+59.57	VARIES		3578.5	178.9		33.4	397.6	33.4
RAMP D NB ENTRANCE RAMP										
10+48.66	TO	11+14.54	VARIES		1446.1	72.3		13.5	160.7	13.5
11+14.54	TO	29+60.59	1846.05	16.0	29536.8	1476.8		275.7	3281.9	275.7
29+60.59	TO	41+03.15	VARIES (INCLUDES GORE)		14758.0	737.9	2285.1	137.7	1639.8	137.7
					TOTAL	88944	130738	16603	197652	16603

MAINLINE & RAMP SHOULDER TREATMENT SCHEDULE						X4060107
LOCATION	LENGTH (FOOT)	WIDTH (FOOT)	DESCRIPTION			BITUMINOUS MATERIALS (FOG SEAL) (POUND)
FAI 55 (INTERSTATE 55)						
756+42.00	TO	837+06.08	8064.08	15	SB	9676.90
STA 837+06.08 BK = STA 837+08.62 AH						
837+06.62	TO	1023+13.94	18607.3	15	SB	22328.78
1023+13.94	TO	1029+70.00	656.06	5	SB	262.42
1029+70.00	TO	1040+94.30	1124.3	15	SB	1349.16
1040+94.30	TO	1052+34.06	1139.76	5	SB	455.90
1052+34.06	TO	1065+79.54	1345.48	15	SB	1614.58
756+42.00	TO	837+06.08	8064.08	14	NB	9031.77
STA 837+06.08 BK = STA 837+08.62 AH						
837+08.62	TO	1016+90.66	17982	14	NB	20139.88
1016+90.66	TO	1028+34.92	1144.26	5	NB	457.70
1028+34.92	TO	1039+87.93	1153.01	14	NB	1291.37
1039+87.93	TO	1046+64.47	676.54	5	NB	270.62
1046+64.47	TO	1064+66.07	1801.6	14	NB	2017.79
RAMP A SB EXIT RAMP						
10+00.00	TO	16+56.47	656.47	6	SB	315.11
16+56.47	TO	35+71.67	1915.2	10	SB	1532.16
RAMP B SB ENTRANCE RAMP						
10+42.35	TO	25+85.26	1542.91	10	SB	1234.33
25+85.26	TO	37+22.98	1137.72	6	SB	546.11
RAMP C NB EXIT RAMP						
10+00.00	TO	16+75.64	675.64	6	NB	324.31
16+75.64	TO	33+60.34	1684.7	10	NB	1347.76
RAMP D NB ENTRANCE RAMP						
10+48.66	TO	29+60.59	1911.93	10	NB	1529.54
29+60.59	TO	41+03.15	1142.56	6	NB	548.43
CROSSOVERS						
762+94.00	TO	763+24.00			CROSSOVER	203.20
981+60.00	TO	981+90.00			CROSSOVER	217.20
					TOTAL	76696

RRPM SCHEDULE				78100100	78300200
LOCATION	SIDE	RAISED REFLECTIVE PAVEMENT MARKER (EACH)		RAISED REFLECTIVE PAVEMENT MARKER REM (EACH)	
FAI 55 (INTERSTATE 55)					
756+42.00	TO	837+06.08	SB	202	202
STA 837+06.08 BK = STA 837+08.62 AH					
837+08.62	TO	1065+79.54	SB	572	572
STA 837+06.08 BK = STA 837+08.62 AH					
756+42.00	TO	837+06.08	NB	202	202
STA 837+06.08 BK = STA 837+08.62 AH					
837+08.62	TO	1064+66.07	NB	569	569
RAMP A SB EXIT RAMP					
10+00.00	TO	16+56.47	SB	33	33
12+95.25	TO	16+56.47	SB	18	18
16+56.47	TO	23+42.80	SB	17	17
RAMP C NB EXIT RAMP					
10+00.00	TO	16+75.64	NB	34	34
13+17.44	TO	16+75.64	NB	18	18
16+75.64	TO	28+41.32	NB	29	29
SUBTOTAL				1646	1693
TOTAL				1693	1693

UNDERDRAINS SCHEDULE				X6670201	X6010100
LOCATION	SIDE	OUTLET MARKER		CLEANING UNDERDRAIN OUTLETS	
FAI 55 (INTERSTATE 55) - SB					
756+42.00	TO	837+06.08	SB	32	32
STA 837+06.08 BK = STA 837+08.62 AH					
837+08.62	TO	1065+79.54	SB	91	91
FAI 55 (INTERSTATE 55) - NB					
756+42.00	TO	837+06.08	NB	32	32
STA 837+06.08 BK = STA 837+08.62 AH					
837+08.62	TO	1064+66.07	NB	91	91
SUBTOTAL				247	247
TOTAL				247	247

MODEL: SCHEDULE OF QUANTITIES-1 (Sheet)
 FILE NAME: c:\p\work\projects\clv\chris.schwarz@illinois.gov\10824879\10672304-shr-schedule.dgn

USER NAME = Sydney.Schwarz	DESIGNED -	REVISED -
	DRAWN -	REVISED -
PLOT SCALE = \$SCALE\$	CHECKED -	REVISED -
PLOT DATE = 1/25/2024	DATE -	REVISED -

STATE OF ILLINOIS
DEPARTMENT OF TRANSPORTATION

SCHEDULE OF QUANTITIES

SCALE: N/A SHEET 1 OF 4 SHEETS STA. TO STA.

F.A.I. RTE.	SECTION	COUNTY	TOTAL SHEETS	SHEET NO.
55	68-5(RS-4, CLV)	MONTGOMERY	34	7
CONTRACT NO. 72304				
ILLINOIS FED. AID PROJECT				

55, I-55 68-5(RS-4), CLV

PAVEMENT MARKINGS SCHEDULE				78004220		78009005		78011030	78009008	78011045	78009012	78011055	78004200	78004280
LOCATION			SIDE	PREFORMED PLASTIC PAVEMENT MARKING, TYPE B - INLAID - LINE 5" (FOOT)		MODIFIED URETHANE MARKING 5" (FOOT)		GROOVING FOR RECESSED PAVEMENT MARKING 6"	MODIFIED URETHANE PAVEMENT MARKINGS 8"	GROOVING FOR RECESSED PAVEMENT MARKING 9"	MODIFIED URETHANE PAVEMENT MARKINGS 12"	GROOVING FOR RECESSED PAVEMENT MARKING 13"	PREFORMED PLASTIC PAVEMENT MARKING, TYPE B - INLAID - LETTERS AND SYMBOLS	PREFORMED PLASTIC PAVEMENT MARKING, TYPE B - INLAID - LINE 24"
				WHITE	WHITE	WHITE	YELLOW	(FOOT)	WHITE (GORES)	(FOOT)	WHITE (CHEVRONS)	(FOOT)	WHITE (WW ARROWS)	WHITE (STOP BARS)
FAI 55 (INTERSTATE 55)				CENTERLINE	DOTTED (MINI SKIPS)	EDGE LINE	EDGE LINE	(FOOT)	(FOOT)	(FOOT)	(FOOT)	(FOOT)	(FOOT)	(FOOT)
756+42.00	TO	837+06.08	SB	2016.0		8064.1	8064.1	16128.2						
STA 837+06.08 BK = STA 837+08.62 AH														
837+08.62	TO	1023+13.69	SB	4651.3		18605.1	18605.1	37210.1						
1023+13.69	TO	1026+09.53	SB	74.0	74.0		295.8	295.8						
1026+09.53	TO	1029+70.00	SB	90.1			360.5	360.5	360.5	360.5				
1029+70.00	TO	1040+94.30	SB	281.1		1124.3	1124.3	2248.6						
1040+94.30	TO	1045+08.48	SB	103.5			414.2	414.2	414.2	414.2				
1045+08.48	TO	1052+33.90	SB	181.4	181.4		725.4	725.4						
1052+33.90	TO	1065+79.54	SB	336.4		1345.6	1345.6	2691.3						
756+42.00	TO	837+06.08	NB	2016.0		8064.1	8064.1	16128.2						
STA 837+06.08 BK = STA 837+08.62 AH														
837+08.62	TO	1016+90.66	NB	4495.5		17982.0	17982.0	35964.1						
1016+90.66	TO	1024+39.70	NB	187.3	187.3		749.0	749.0						
1024+39.70	TO	1028+34.92	NB	98.8			395.2	395.2	395.2	395.2				
1028+34.92	TO	1039+87.93	NB	288.3		1153.0	1153.0	2306.0						
1039+87.93	TO	1043+46.57	NB	89.7			358.6	358.6	358.6	358.6				
1043+46.57	TO	1046+64.47	NB	79.5	79.5		317.9	317.9						
1046+64.47	TO	1064+66.07	NB	450.4		1801.6	1801.6	3603.2						
RAMP A SB EXIT RAMP														
10+00.00	TO	12+95.25	SB			295.3		295.3						
12+95.25	TO	16+57.00	SB			361.8		361.8	361.8	361.8	193.1	193.1		
16+57.00	TO	35+71.67	SB			1914.7	1914.7	3829.3	159.0	159.0	40.5	40.5	48.6	43.8
RAMP B SB ENTRANCE RAMP														
10+42.00	TO	25+85.26	SB			1543.3	1543.3	3086.5						
25+85.26	TO	29+97.70	SB			412.4		412.4	412.4	412.4				
29+97.70	TO	37+22.98	SB			725.3		725.3						
RAMP C NB EXIT RAMP														
10+00.00	TO	13+17.44	NB			317.4		317.4						
13+17.44	TO	16+75.64	NB			358.2		358.2	358.2	358.2	213.3	213.3		
16+75.64	TO	33+59.57	NB			1683.9	1683.9	3367.9	177.3	177.3	65.1	65.1	48.6	35.2
RAMP D NB ENTRANCE RAMP														
10+48.66	TO	29+60.59	NB			1911.9	1911.9	3823.9						
29+60.59	TO	33+54.03	NB			393.4		393.4	393.4	393.4				
33+54.03	TO	41+03.15	NB			749.1		749.1						
SUBTOTAL				15439.1	522.0	68806.5	68810.3	137616.9	3390.6	3390.6	512.0	512.0	97.2	79.0
TOTAL				15961		137617		137617	3391	3391	512	512	97	79

MODEL: SCHEDULE OF QUANTITIES-2 (Sheet)
 FILE NAME: c:\p\work\wisconsin\schwarz\illinois\p082487\9D672304-shr-schedule.dgn

USER NAME = Sydney.Schwarz	DESIGNED -	REVISED -
	DRAWN -	REVISED -
PLOT SCALE = 0.16666833' / in.	CHECKED -	REVISED -
PLOT DATE = 1/18/2024	DATE -	REVISED -

**STATE OF ILLINOIS
DEPARTMENT OF TRANSPORTATION**

SCHEDULE OF QUANTITIES

SCALE: N/A SHEET 2 OF 4 SHEETS STA. TO STA.

F.A.I. RTE.	SECTION	COUNTY	TOTAL SHEETS	SHEET NO.
55	68-5(RS-4, CLV)	MONTGOMERY	34	8
CONTRACT NO. 72304				
ILLINOIS FED. AID PROJECT				

CULVERT MODIFICATIONS SCHEDULE				PIPE COLLARS										
				X6650208	50800105	54002020	54248510	542A0271	542D0229	54244805	54260315	50105220	X5010523	
LOCATION	SIDE	DESCRIPTION		WOVEN WIRE FENCE REMOVAL AND REPLACEMENT	Reinforcement Bars	Expansion Bolts, 3/4"	CONCRETE COLLAR	PIPE CULVERTS, CLASS A, TYPE 1 66"	PIPE CULVERTS, CLASS D, TYPE 1 24"	INLET BOX, STANDARD 542501	TRAVERSABLE PIPE GRATE FOR CONCRETE END SECTION	PIPE CULVERT REMOVAL	REMOVE CONCRETE END SECTION	
S.N. 068-7017				FOOT	LB	EACH	CU YD	FOOT	FOOT	EACH	FOOT	FOOT	EACH	
STA	773+49.00	LT	NB	NB I-55/EAST FRONTAGE ROAD MEDIAN		90.6	8	0.89		20	2	25.8	20	2
S.N. 068-7016														
STA	913+00.00	CL	CL	I-55 NB/SB CENTER MEDIAN		62.6	0	0.54		10	2	25.0	18	2
STA	913+00.11	RT	SB	SB I-55/WEST FRONTAGE ROAD MEDIAN		62.6	8	0.54		16	2	25.8	16	2
S.N. 068-7015														
STA	947+62.50	RT	SB	SB I-55/WEST FRONTAGE ROAD MEDIAN		150	263.2	3.48	24				24	0
				SUBTOTAL	150	479.0	24	5.45	24	54	6	77.5	78	6
				TOTAL	150	480	24	5.5	24	54	6	78	78	6

SHORT TERM PM SCHEDULE				70300100		70300150		
LOCATION		SIDE	SHORT TERM PAVEMENT MARKING (FT)		SHORT TERM PAVEMENT MARKING REM (SQFT)			
FAI 55 (INTERSTATE 55)			CENTERLINE	SHOULDERS	CENTERLINE	SHOULDERS		
			4' PER 40'	4' - 45 DEG.	4" WIDE	4" WIDE		
756+42.00	TO	837+06.08	SB	806.4	322.6	268.8	107.5	
STA 837+06.08 BK - STA 837+08.62 AH								
837+08.62	TO	1065+79.54	SB	2287.1	914.8	762.4	304.9	
756+42.00	TO	837+06.08	NB	806.4	322.6	268.8	107.5	
STA 837+06.08 BK = STA 837+08.62 AH								
837+08.62	TO	1064+66.07	NB	2275.7	910.3	758.6	303.4	
RAMP A SB EXIT RAMP								
16+57.00	TO	35+71.67	SB		406.3		135.4	
RAMP B SB ENTRANCE RAMP								
10+42.00	TO	25+85.26	SB		246.9		82.3	
RAMP C NB EXIT RAMP								
16+75.64	TO	33+59.57	NB		269.4		89.8	
RAMP D NB ENTRANCE RAMP								
10+48.66	TO	29+60.59	NB		405.9		135.3	
				SUBTOTAL	6175.7	3798.9	2058.55	1266.29
				TOTAL	9975		3325	

MOWING SCHEDULE				X2503000	
LOCATION		SIDE	MAINTENANCE MOWING		
FAI 55 (INTERSTATE 55)				(ACRE)	
756+42.00	TO	837+06.08	SB	5.55	
STA 837+06.08 BK = STA 837+08.62 AH					
837+08.62	TO	1065+79.54	SB	15.75	
STA 837+06.08 BK = STA 837+08.62 AH					
756+42.00	TO	837+06.08	NB	5.55	
STA 837+06.08 BK = STA 837+08.62 AH					
837+08.62	TO	1064+66.07	NB	15.67	
				SUBTOTAL	43.53
				TOTAL (2 APPLICATIONS)	87

INLET REPAIR SCHEDULE				59300100	X5430224	X6026800	
LOCATION		SIDE	DESCRIPTION	CONTROLLED LOW STRENGTH MATERIAL	CURED IN-PLACE PIPE LINER, 24"	INLETS TO BE RECONSTRUCTED (SPECIAL)	
FAI 55 (INTERSTATE 55)				CU YD	FOOT	EACH	
STA	1065+00.00	CL	MEDIAN	I-55 NB/SB CENTER MEDIAN	31.0	70	1
STA	1066+00.00	RT	CL	SB I-55/WEST FRONTAGE ROAD MEDIAN		70	
				SUBTOTAL	31.0	140	1
				TOTAL	31.0	140	1

MODEL: SCHEDULE OF QUANTITIES-3 (Sheet)
 FILE NAME: c:\p\work\w101015\dnie.schwarz@illinois.gov\0824879\0672304-shr-schedule.dgn

USER NAME = Sydney.Schwarz	DESIGNED -	REVISED -
	DRAWN -	REVISED -
PLOT SCALE = 0.16666833' / in.	CHECKED -	REVISED -
PLOT DATE = 1/25/2024	DATE -	REVISED -

**STATE OF ILLINOIS
DEPARTMENT OF TRANSPORTATION**

SCHEDULE OF QUANTITIES

SCALE: N/A SHEET 3 OF 4 SHEETS STA. TO STA.

F.A.I RTE.	SECTION	COUNTY	TOTAL SHEETS	SHEET NO.
55	68-5(RS-4, CLV)	MONTGOMERY	34	9
CONTRACT NO. 72304				
ILLINOIS FED. AID PROJECT				

55, I-55 68-5(RS-4), CLV

PAVEMENT PATCHING SCHEDULE		44200645	44200647	44201043	44201048	44213000	42000060	44201298	44213200	44213204		
LOCATION		LENGTH (FT)	WIDTH (FT)	CLASS A PATCHES, TYPE II, 16 INCH (SY)	CLASS A PATCHES, TYPE IV, 16 INCH (SY)	CLASS B PATCHES, TYPE II, 16 INCH (SY)	CLASS B PATCHES, TYPE IV, 16 INCH (SY)	PATCHING REINFORCEMENT (SY)	WELDED WIRE REINFORCEMENT	DOWEL BARS, 1.25" (EA)	SAW CUTS (FT)	TIE BARS, 3/4" (EA)
FAI 55 (INTERSTATE 55) SB-DL												
STATION	LANE LOCATION											
879+88.00	EOP	8.0	6.0	5.3				5.3			40.0	0.0
1037+60.00	EOP	8.0	6.0	5.3				5.3			40.0	0.0
1037+90.00		10.00	12.0	13.3				13.3			68.0	0.0
1038+10.00	EOP	8.00	6.0	5.3				5.3			40.0	0.0
1039+60.00		8.00	12.0	10.7				10.7			64.0	0.0
1040+30.00	EOP	8.00	6.0	5.3				5.3			40.0	0.0
FAI 55 (INTERSTATE 55) NB-DL												
1040+40.00	EOP	40.00	6.0		26.7			26.7			104.0	13.0
1044+40.00	EOP	12.00	6.0	8.0				8.0			48.0	0.0
1046+00.00		20.00	12.0		26.7			26.7			88.0	0.0
1046+20.00		6.00	12.0	8.0				8.0			60.0	0.0
1048+05.00	EOP	8.00	6.0	5.3				5.3			40.0	0.0
1048+30.00	EOP	8.00	6.0	5.3				5.3			40.0	0.0
1049+30.00		6.00	12.0	8.0				8.0			60.0	0.0
1049+85.00	EOP	8.00	6.0	5.3				5.3			40.0	0.0
1051+65.00		6.00	12.0	8.0				8.0			60.0	0.0
RAMP A SB EXIT RAMP												
22+10.00		12.00	8.00			10.67			0.0	14.0	48.0	0.0
32+50.00		6.00	8.00			5.33			0.0	14.0	36.0	0.0
35+00.00		8.00	16.00			14.22			0.0	28.0	64.0	0.0
RAMP B SB ENTRANCE RAMP												
16+90.00		6.00	16.00			10.67			0.0	28.0	60.0	0.0
18+50.00		6.00	16.00			10.67			0.0	28.0	60.0	0.0
19+50.00		6.00	16.00			10.67			0.0	28.0	60.0	0.0
RAMP C NB EXIT RAMP												
29+20.00		6.00	16.00			10.67			0.0	28.0	60.0	0.0
RAMP D NB ENTRANCE RAMP												
29+50.00		20.00	16.00				35.56		35.56	28.00	88.0	0.0
TOTAL				94	54	73	36	147	36	196	1308	13

MODEL: Schedule of Quantities - 4 (Sheet)
 FILE NAME: c:\pwworking\sydnieschwarz@illinois.gov\d0824879\0672304-sht-schedule.dgn

REV. - MS

USER NAME = Sydney Schwarz	DESIGNED -	REVISED -
	DRAWN -	REVISED -
PLOT SCALE = 0.16666633 / in.	CHECKED -	REVISED -
PLOT DATE = 1/25/2024	DATE -	REVISED -

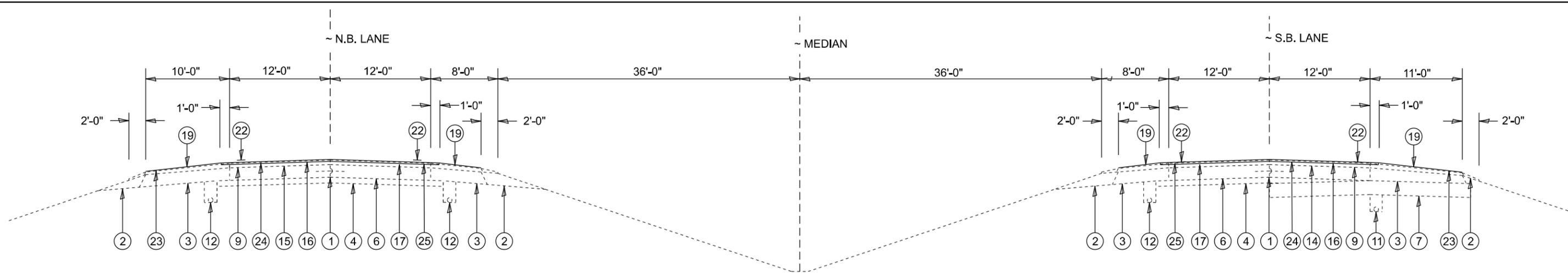
**STATE OF ILLINOIS
DEPARTMENT OF TRANSPORTATION**

SCHEDULE OF QUANTITIES

SCALE: N/A SHEET 4 OF 4 SHEETS STA. TO STA.

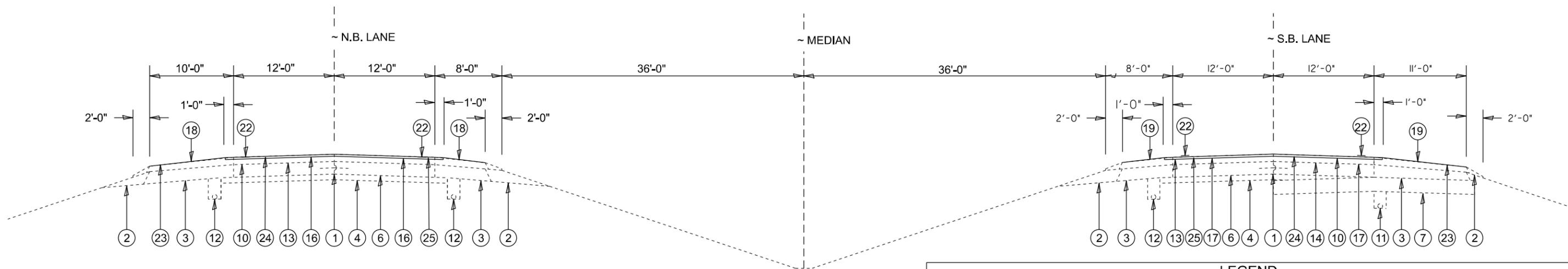
F A I R T E.	SECTION	COUNTY	TOTAL SHEETS	SHEET NO.
55	68-5(RS-4, CLV)	MONTGOMERY	34	10
CONTRACT NO. 72304				
ILLINOIS FED. AID PROJECT				

55, I-55 68-5(RS-4), CLV



755+42.00 TO 817+73.77

837+58.67 TO 905+13.78



817+73.77 TO 820+75.61

- LEGEND**
- ① EX LONGITUDINAL JOINT
 - ② EX AGGREGATE SHOULDERS
 - ③ EX BITUMINOUS SHOULDERS
 - ④ EX STABILIZED SUB-BASE 4"
 - ⑤ EX SRC PAVEMENT 8"
 - ⑥ EX CRC PAVEMENT 9"
 - ⑦ BURIED PCC PAVEMENT 10"
 - ⑧ EX BITUMINOUS CONCRETE 2 1/2"
 - ⑨ EX BITUMINOUS CONCRETE 3 1/4"
 - ⑩ EX BITUMINOUS CONCRETE 4 3/4"
 - ⑪ EX PIPE UNDERDRAINS 4"
 - ⑫ EX PIPE UNDERDRAINS 6"
 - ⑬ EX POLYMERIZED BITUMINOUS CONCRETE BINDER COURSE, SUPERPAVE, MIX "E", N105 3 1/4"
 - ⑭ EX POLYMERIZED BITUMINOUS CONCRETE BINDER COURSE, SUPERPAVE, MIX "E", N105 2 1/4"
 - ⑮ EX POLYMERIZED LEVELING BINDER (MACHINE METHOD), SUPERPAVE, N105 1"
 - ⑯ EX POLYMERIZED BITUMINOUS CONCRETE SURFACE COURSE, SUPERPAVE, MIX "E", N105 1 1/2"
 - ⑰ EX POLYMERIZED BITUMINOUS CONCRETE SURFACE COURSE, SUPERPAVE, MIX "E", N105 2"
 - ⑱ EX POLYMERIZED BITUMINOUS CONCRETE SURFACE COURSE, SUPERPAVE, IL 9.5L (LOW ESAL) 1 1/2"
 - ⑲ EX BITUMINOUS CONCRETE SURFACE COURSE
 - ⑳ EX POLYMERIZED BITUMINOUS CONCRETE SURFACE COURSE, SUPERPAVE, IL 9.5L (LOW ESAL) 2 1/2"
 - ㉑ EX AGGREGATE SHOULDERS, TYPE B
 - ㉒ PR PAVEMENT MARKING
 - ㉓ PROPOSED BITUMINOUS MATERIALS (FOG SEAL) (SHLDR)
 - ㉔ PROPOSED HMA SURFACE REMOVAL 1 1/2"
 - ㉕ PROPOSED POLY. HMA SURF. CSE IL 9.5, MIX "E", N90- 1 1/2"

MODEL: Typical Sections (Sheet)
FILE NAME: c:\p\work\projects\sydnie.schwarz@illinois.gov\0824879\0672304-sh-typical.sdm

USER NAME = Sydnie.Schwarz	DESIGNED -	REVISED -
DRAWN -	REVISOR -	
PLOT SCALE = \$SCALE\$	CHECKED -	REVISOR -
PLOT DATE = 1/25/2024	DATE -	REVISOR -

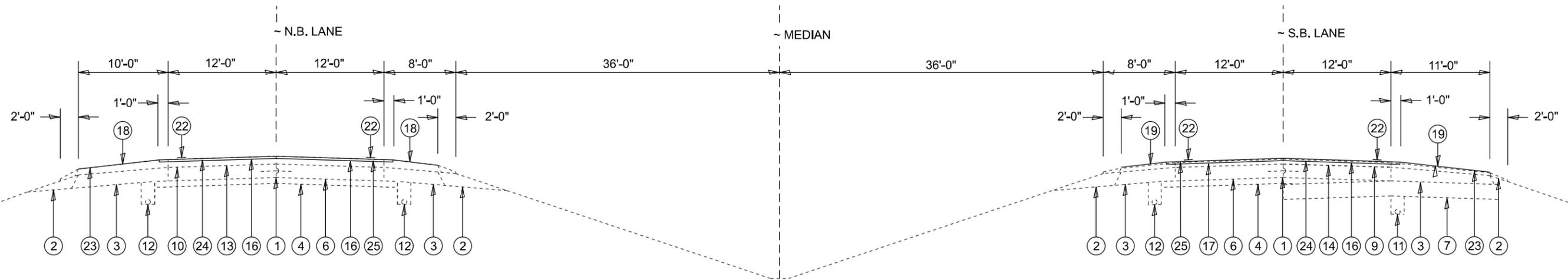
**STATE OF ILLINOIS
DEPARTMENT OF TRANSPORTATION**

TYPICAL SECTIONS			
SCALE: N/A	SHEET 1	OF 3 SHEETS	STA. TO STA.

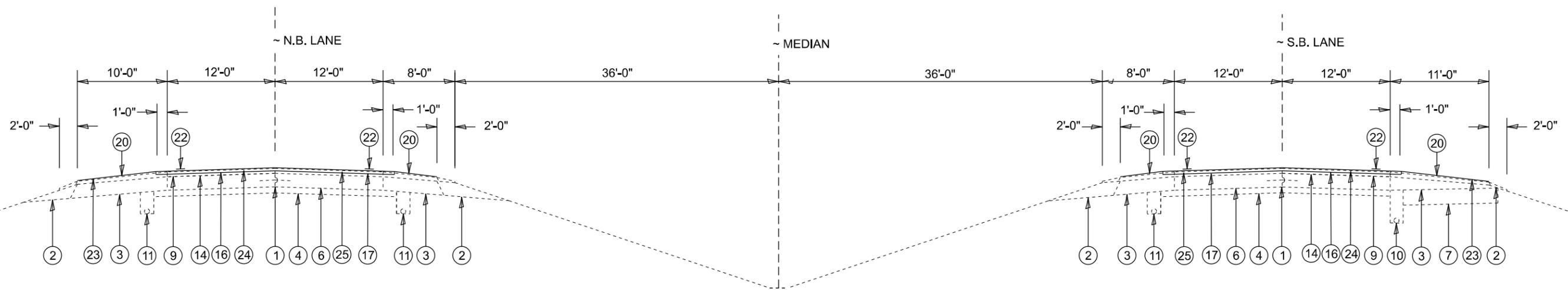
F.A.I. RTE.	SECTION	COUNTY	TOTAL SHEETS	SHEET NO.
55	68-5(RS-4, CLV)	MONTGOMERY	34	11
CONTRACT NO. 72304				
ILLINOIS FED. AID PROJECT				

55, I-55 68-5(RS-4), CLV

MODEL: Typical Sections-1 [Sheet]
 FILE NAME: c:\p\work\wv\0105\sydnie.schwarz@illinois.gov\0824879\0672304-shp\typicals.dgn



820+75.61 TO 837+58.67



STA 905+13.78 TO 1052+87.51

- LEGEND**
- ① EX LONGITUDINAL JOINT
 - ② EX AGGREGATE SHOULDERS
 - ③ EX BITUMINOUS SHOULDERS
 - ④ EX STABILIZED SUB-BASE 4"
 - ⑤ EX SRC PAVEMENT 8"
 - ⑥ EX CRC PAVEMENT 9"
 - ⑦ BURIED PCC PAVEMENT 10"
 - ⑧ EX BITUMINOUS CONCRETE 2 1/2"
 - ⑨ EX BITUMINOUS CONCRETE 3 1/4"
 - ⑩ EX BITUMINOUS CONCRETE 4 3/4"
 - ⑪ EX PIPE UNDERDRAINS 4"
 - ⑫ EX PIPE UNDERDRAINS 6"
 - ⑬ EX POLYMERIZED BITUMINOUS CONCRETE BINDER COURSE, SUPERPAVE, MIX "E", N105 3 1/4"
 - ⑭ EX POLYMERIZED BITUMINOUS CONCRETE BINDER COURSE, SUPERPAVE, MIX "E", N105 2 1/4"
 - ⑮ EX POLYMERIZED LEVELING BINDER (MACHINE METHOD), SUPERPAVE, N105 1"
 - ⑯ EX POLYMERIZED BITUMINOUS CONCRETE SURFACE COURSE, SUPERPAVE, MIX "E", N105 1 1/2"
 - ⑰ EX POLYMERIZED BITUMINOUS CONCRETE SURFACE COURSE, SUPERPAVE, MIX "E", N105 2"
 - ⑱ EX BITUMINOUS CONCRETE SURFACE COURSE
 - ⑲ EX BITUMINOUS CONCRETE SURFACE COURSE
 - ⑳ EX POLYMERIZED BITUMINOUS CONCRETE SURFACE COURSE, SUPERPAVE, IL 9.5L (LOW ESAL) 2 1/2"
 - ㉑ EX AGGREGATE SHOULDERS, TYPE B
 - ㉒ PR PAVEMENT MARKING
 - ㉓ PROPOSED BITUMINOUS MATERIALS (FOG SEAL) (SHLDR)
 - ㉔ PROPOSED HMA SURFACE REMOVAL 1 1/2"
 - ㉕ PROPOSED POLY. HMA SURF. CSE IL 9.5, MIX "E", N90- 1 1/2"

USER NAME = Sydney.Schwarz	DESIGNED -	REVISED -
DRAWN -	REVISIONS -	
PLOT SCALE = \$SCALE\$	CHECKED -	REVISED -
PLOT DATE = 1/25/2024	DATE -	REVISED -

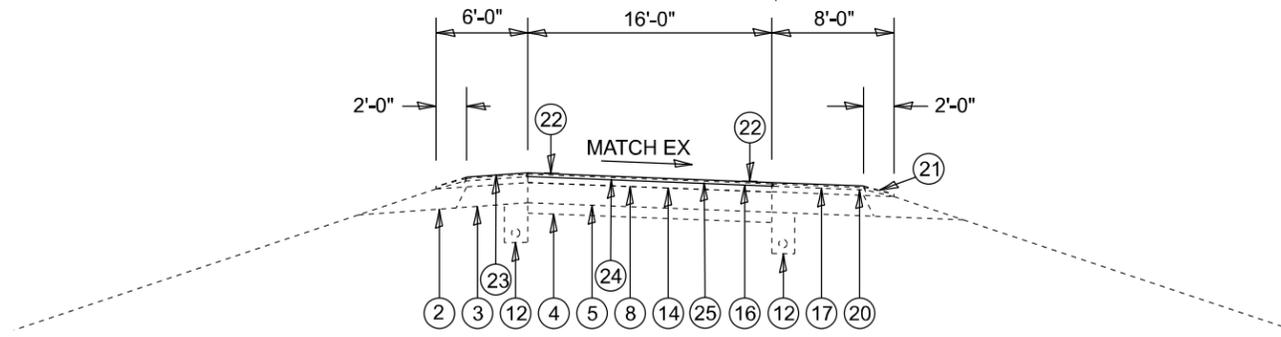
**STATE OF ILLINOIS
 DEPARTMENT OF TRANSPORTATION**

TYPICAL SECTIONS

SCALE: N/A SHEET 2 OF 3 SHEETS STA. TO STA.

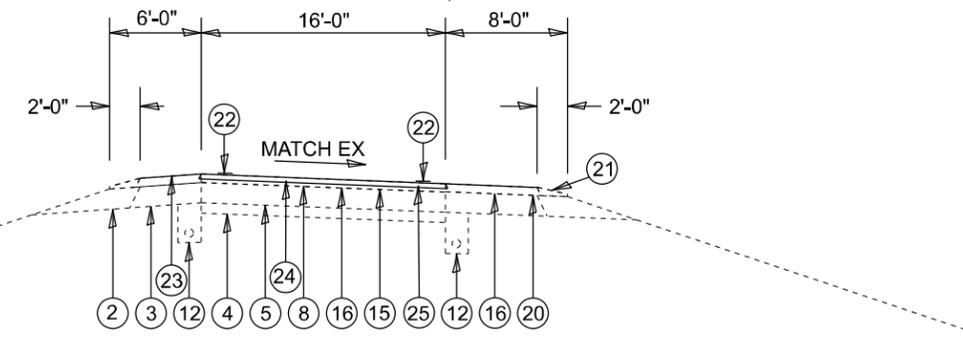
F.A.I. RTE.	SECTION	COUNTY	TOTAL SHEETS	SHEET NO.
55	68-5(RS-4, CLV)	MONTGOMERY	34	12
CONTRACT NO. 72304				
ILLINOIS FED. AID PROJECT				

55, I-55 68-5(RS-4), CLV



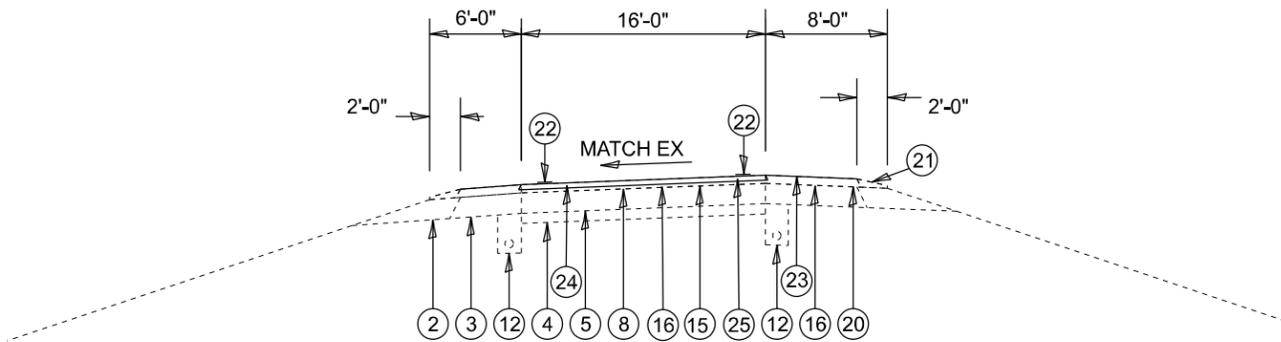
TYPICAL SECTION, RAMP - 3 1/4" OVERLAY

RAMP A
 STA 10+00.00 TO 16+62.40
 RAMP B
 STA 25+51.71 TO 37+22.80
 RAMP C
 STA 10+00.00 TO 16+62.39
 RAMP D
 STA 29+32.33 TO 41+03.95



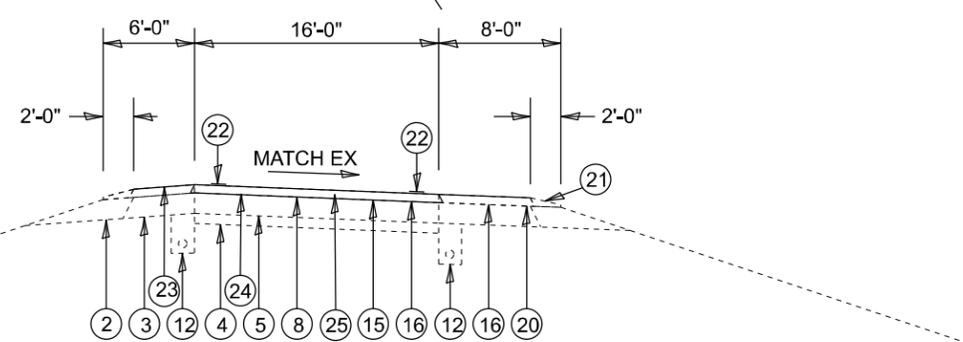
TYPICAL SECTION, RAMP-SUPERELEVATED RIGHT

RAMP A
 STA 16+62.40 TO 22+78.81
 RAMP B
 STA 14+42.54 TO 25+51.71
 RAMP C
 STA 16+62.39 TO 27+89.62
 RAMP D
 STA 20+05.80 TO 29+32.33



TYPICAL SECTION, RAMP-SUPERELEVATED LEFT

RAMP A
 STA 22+78.81 TO 30+05.43
 RAMP D
 STA 14+50.69 TO 20+05.80



TYPICAL SECTION, RAMP-TANGENT

RAMP A
 STA 30+05.43 TO 34+72.72
 RAMP B
 STA 10+99.70 TO 14+42.54
 RAMP C
 STA 27+89.62 TO 32+59.63
 RAMP D
 STA 10+87.02 TO 14+50.69

LEGEND	
① EX LONGITUDINAL JOINT	⑩ EX POLYMERIZED BITUMINOUS CONCRETE SURFACE COURSE, SUPERPAVE, MIX "E", N105 1 1/2"
② EX AGGREGATE SHOULDERS	⑪ EX POLYMERIZED BITUMINOUS CONCRETE SURFACE COURSE, SUPERPAVE, MIX "E", N105 2"
③ EX BITUMINOUS SHOULDERS	⑫ EX POLYMERIZED BITUMINOUS CONCRETE SURFACE COURSE, SUPERPAVE, IL 9.5L (LOW ESAL) 1 1/2"
④ EX STABILIZED SUB-BASE 4"	⑬ EX BITUMINOUS CONCRETE SURFACE COURSE
⑤ EX SRC PAVEMENT 8"	⑭ EX POLYMERIZED BITUMINOUS CONCRETE SURFACE COURSE, SUPERPAVE, IL 9.5L (LOW ESAL) 2 1/2"
⑥ EX CRC PAVEMENT 9"	⑮ EX AGGREGATE SHOULDERS, TYPE B
⑦ BURIED PCC PAVEMENT 10"	⑯ PR PAVEMENT MARKING
⑧ EX BITUMINOUS CONCRETE 2 1/2"	⑰ PROPOSED BITUMINOUS MATERIALS (FOG SEAL) (SHLDR)
⑨ EX BITUMINOUS CONCRETE 3 1/4"	⑱ PROPOSED HMA SURFACE REMOVAL 1 1/2"
⑩ EX BITUMINOUS CONCRETE 4 3/4"	⑲ PROPOSED POLY. HMA SURF. CSE IL 9.5, MIX "E", N90- 1 1/2"
⑪ EX PIPE UNDERDRAINS 4"	
⑫ EX PIPE UNDERDRAINS 6"	
⑬ EX POLYMERIZED BITUMINOUS CONCRETE BINDER COURSE, SUPERPAVE, MIX "E", N105 3 1/4"	
⑭ EX POLYMERIZED BITUMINOUS CONCRETE BINDER COURSE, SUPERPAVE, MIX "E", N105 2 1/4"	
⑮ EX POLYMERIZED LEVELING BINDER (MACHINE METHOD), SUPERPAVE, N105 1"	

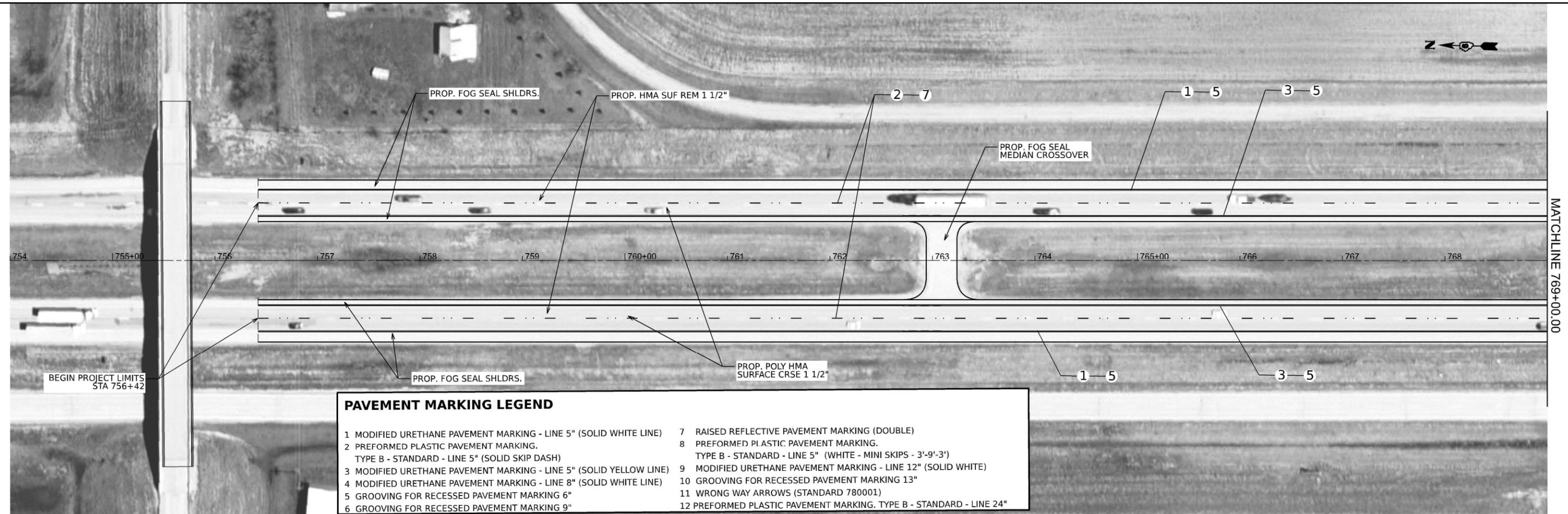
MODEL: Typical Sections-2 (Sheet)
 FILE NAME: c:\paw_work\wv\1015\dnie.schwarz@illinois.gov\10824879\10672304-sh-typical.sdm

USER NAME = Sydney.Schwarz	DESIGNED -	REVISED -
PLOT SCALE = \$SCALE\$	DRAWN -	REVISED -
PLOT DATE = 1/18/2024	CHECKED -	REVISED -
	DATE -	REVISED -

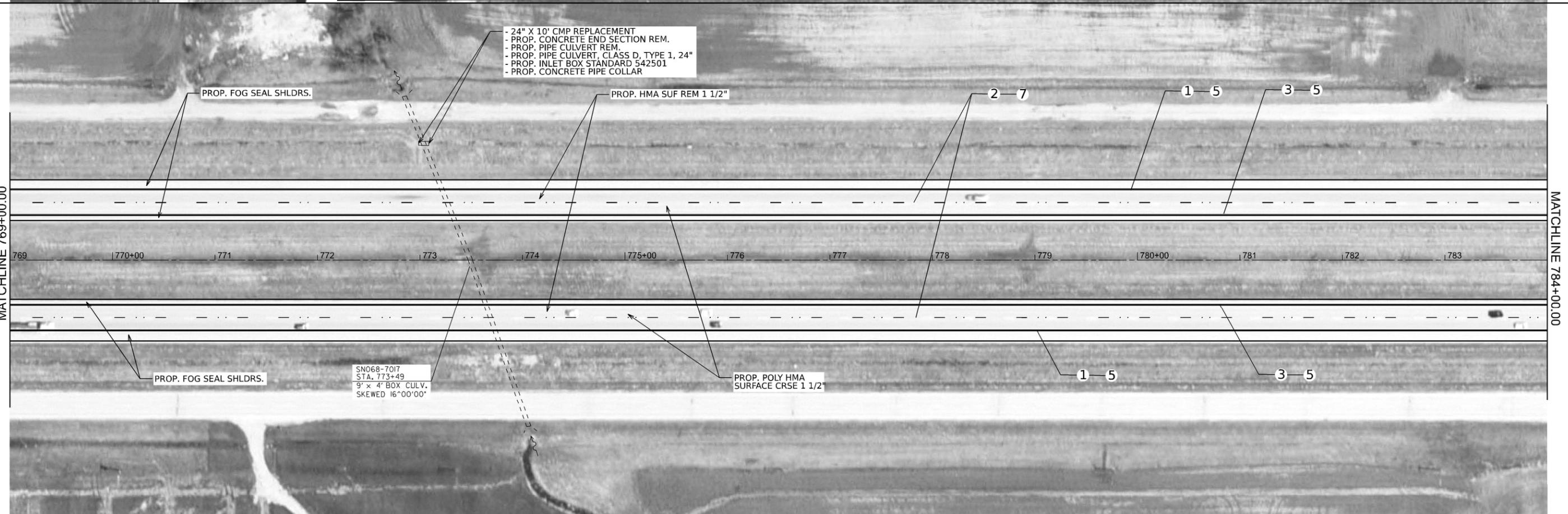
STATE OF ILLINOIS
 DEPARTMENT OF TRANSPORTATION

TYPICAL SECTIONS RAMPS			
SCALE: N/A	SHEET 3	OF 3 SHEETS	STA. TO STA.

F.A.I RTE.	SECTION	COUNTY	TOTAL SHEETS	SHEET NO.
55	68-5(RS-4, CLV)	MONTGOMERY	34	13
CONTRACT NO. 72304				
ILLINOIS FED. AID PROJECT				



PAVEMENT MARKING LEGEND	
1 MODIFIED URETHANE PAVEMENT MARKING - LINE 5" (SOLID WHITE LINE)	7 RAISED REFLECTIVE PAVEMENT MARKING (DOUBLE)
2 PREFORMED PLASTIC PAVEMENT MARKING, TYPE B - STANDARD - LINE 5" (SOLID SKIP DASH)	8 PREFORMED PLASTIC PAVEMENT MARKING, TYPE B - STANDARD - LINE 5" (WHITE - MINI SKIPS - 3'-9"-3')
3 MODIFIED URETHANE PAVEMENT MARKING - LINE 5" (SOLID YELLOW LINE)	9 MODIFIED URETHANE PAVEMENT MARKING - LINE 12" (SOLID WHITE)
4 MODIFIED URETHANE PAVEMENT MARKING - LINE 8" (SOLID WHITE LINE)	10 GROOVING FOR RECESSED PAVEMENT MARKING 13"
5 GROOVING FOR RECESSED PAVEMENT MARKING 6"	11 WRONG WAY ARROWS (STANDARD 780001)
6 GROOVING FOR RECESSED PAVEMENT MARKING 9"	12 PREFORMED PLASTIC PAVEMENT MARKING, TYPE B - STANDARD - LINE 24"



MODEL: Unnamed Plan-1 - Plan 1 (Sheet)
 FILE NAME: c:\pw\work\wis\id\sydnie.schwarz@illinois.gov\0824879\0672304-shr-plan.dgn

USER NAME = Sydnie.Schwarz	DESIGNED -	REVISED -
DRAWN -	REVISIONS -	
PLOT SCALE = 0.16666633' / in.	CHECKED -	REVISED -
PLOT DATE = 1/25/2024	DATE -	REVISED -

STATE OF ILLINOIS
DEPARTMENT OF TRANSPORTATION

PLAN SHEETS - I-55
 SCALE: 1"=50' SHEET 1 OF 13 SHEETS STA. 756+42.00 TO STA. 784+00.00

F.A.I. RTE.	SECTION	COUNTY	TOTAL SHEETS	SHEET NO.
55	68-5(RS-4, CLV)	MONTGOMERY	34	14
CONTRACT NO. 72304				
ILLINOIS FED. AID PROJECT				

55, I-55 68-5(RS-4), CLV



MATCHLINE 784+00.00

MATCHLINE 799+00.00

784 785+00 786 787 788 789 790+00 791 792 793 794 795+00 796 797 798

PROP. FOG SEAL SHLDRS.

PROP. HMA SUF REM 1 1/2"

2-7

1-5

3-5

PROP. FOG SEAL SHLDRS.

PROP. POLY HMA SURFACE CRSE 1 1/2"

1-5

3-5

PAVEMENT MARKING LEGEND			
1	MODIFIED URETHANE PAVEMENT MARKING - LINE 5" (SOLID WHITE LINE)	7	RAISED REFLECTIVE PAVEMENT MARKING (DOUBLE)
2	PREFORMED PLASTIC PAVEMENT MARKING, TYPE B - STANDARD - LINE 5" (SOLID SKIP DASH)	8	PREFORMED PLASTIC PAVEMENT MARKING, TYPE B - STANDARD - LINE 5" (WHITE - MINI SKIPS - 3'-9"-3')
3	MODIFIED URETHANE PAVEMENT MARKING - LINE 5" (SOLID YELLOW LINE)	9	MODIFIED URETHANE PAVEMENT MARKING - LINE 12" (SOLID WHITE)
4	MODIFIED URETHANE PAVEMENT MARKING - LINE 8" (SOLID WHITE LINE)	10	GROOVING FOR RECESSED PAVEMENT MARKING 13"
5	GROOVING FOR RECESSED PAVEMENT MARKING 6"	11	WRONG WAY ARROWS (STANDARD 780001)
6	GROOVING FOR RECESSED PAVEMENT MARKING 9"	12	PREFORMED PLASTIC PAVEMENT MARKING, TYPE B - STANDARD - LINE 24"

MATCHLINE 799+00.00

MATCHLINE 814+00.00

799 800+00 801 802 803 804 805+00 806 807 808 809 810+00 811 812 813

PROP. FOG SEAL SHLDRS.

PROP. HMA SUF REM 1 1/2"

2-7

1-5

3-5

PROP. FOG SEAL SHLDRS.

PROP. POLY HMA SURFACE CRSE 1 1/2"

1-5

3-5

MODEL: Unnamed Plan-1 - Plan 3 (Sheet)
FILE NAME: c:\pw\work\wis\sydnie.schwarz@illinois.gov\0824879\0672304-shr-plan.dgn

USER NAME = Sydnie.Schwarz	DESIGNED -	REVISED -
DRAWN -	REVISED -	
PLOT SCALE = 0.16666633' / in.	CHECKED -	REVISED -
PLOT DATE = 1/25/2024	DATE -	REVISED -

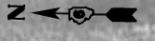
**STATE OF ILLINOIS
DEPARTMENT OF TRANSPORTATION**

PLAN SHEETS - I-55

SCALE: 1"=50' SHEET 2 OF 13 SHEETS STA. 784+00.00 TO STA. 814+00.00

F.A.I. RTE.	SECTION	COUNTY	TOTAL SHEETS	SHEET NO.
55	68-5(RS-4, CLV)	MONTGOMERY	34	15
CONTRACT NO. 72304				
ILLINOIS FED. AID PROJECT				

55, I-55 68-5(RS-4), CLV



MATCHLINE 814+00.00

MATCHLINE 829+00.00

814 815+00 816 817 818 819 820+00 821 822 823 824 825+00 826 827 828

PROP. FOG SEAL SHLDRS. PROP. HMA SUF REM 1 1/2"

2-7 1-5 3-5

PROP. FOG SEAL SHLDRS. PROP. POLY HMA SURFACE CRSE 1 1/2"

1-5 3-5

PAVEMENT MARKING LEGEND	
1 MODIFIED URETHANE PAVEMENT MARKING - LINE 5" (SOLID WHITE LINE)	7 RAISED REFLECTIVE PAVEMENT MARKING (DOUBLE)
2 PREFORMED PLASTIC PAVEMENT MARKING. TYPE B - STANDARD - LINE 5" (SOLID SKIP DASH)	8 PREFORMED PLASTIC PAVEMENT MARKING. TYPE B - STANDARD - LINE 5" (WHITE - MINI SKIPS - 3'-9"-3')
3 MODIFIED URETHANE PAVEMENT MARKING - LINE 5" (SOLID YELLOW LINE)	9 MODIFIED URETHANE PAVEMENT MARKING - LINE 12" (SOLID WHITE)
4 MODIFIED URETHANE PAVEMENT MARKING - LINE 8" (SOLID WHITE LINE)	10 GROOVING FOR RECESSED PAVEMENT MARKING 13"
5 GROOVING FOR RECESSED PAVEMENT MARKING 6"	11 WRONG WAY ARROWS (STANDARD 780001)
6 GROOVING FOR RECESSED PAVEMENT MARKING 9"	12 PREFORMED PLASTIC PAVEMENT MARKING. TYPE B - STANDARD - LINE 24"

MATCHLINE 829+00.00

MATCHLINE 844+00.00

829 830+00 831 832 833 834 835+00 836 837 838 839 840+00 841 842 843

PROP. FOG SEAL SHLDRS. PROP. HMA SUF REM 1 1/2"

2-7 1-5 3-5

POT STA 837+06.08 BK= POT STA 837+08.62 AH

PROP. FOG SEAL SHLDRS. PROP. POLY HMA SURFACE CRSE 1 1/2"

1-5 3-5

MODEL: Unnamed Plan-1 - Plan 5 (Sheet) FILE NAME: c:\pw_work\wisid\sydnie.schwarz@illinois.gov\0824879\0672304-shit-plan.dgn

USER NAME = Sydnie.Schwarz	DESIGNED -	REVISED -
DRAWN -	REVISOR -	
PLOT SCALE = 0.16666633' / in.	CHECKED -	REVISOR -
PLOT DATE = 1/25/2024	DATE -	REVISOR -

**STATE OF ILLINOIS
DEPARTMENT OF TRANSPORTATION**

PLAN SHEETS - I-55

SCALE: 1"=50' SHEET 3 OF 13 SHEETS STA. 814+00.00 TO STA. 844+00.00

F.A.I. RTE.	SECTION	COUNTY	TOTAL SHEETS	SHEET NO.
55	68-5(RS-4, CLV)	MONTGOMERY	34	16
CONTRACT NO. 72304				
ILLINOIS FED. AID PROJECT				

55, I-55 68-5(RS-4), CLV



MATCHLINE 844+00.00

MATCHLINE 859+00.00

844 | 845+00 | 846 | 847 | 848 | 849 | 850+00 | 851 | 852 | 853 | 854 | 855+00 | 856 | 857 | 858

MATCHLINE 859+00.00

MATCHLINE 874+00.00

859 | 860+00 | 861 | 862 | 863 | 864 | 865+00 | 866 | 867 | 868 | 869 | 870+00 | 871 | 872 | 873

PAVEMENT MARKING LEGEND

- | | |
|---|---|
| 1 MODIFIED URETHANE PAVEMENT MARKING - LINE 5" (SOLID WHITE LINE) | 7 RAISED REFLECTIVE PAVEMENT MARKING (DOUBLE) |
| 2 PREFORMED PLASTIC PAVEMENT MARKING, TYPE B - STANDARD - LINE 5" (SOLID SKIP DASH) | 8 PREFORMED PLASTIC PAVEMENT MARKING, TYPE B - STANDARD - LINE 5" (WHITE - MINI SKIPS - 3'-9"-3') |
| 3 MODIFIED URETHANE PAVEMENT MARKING - LINE 5" (SOLID YELLOW LINE) | 9 MODIFIED URETHANE PAVEMENT MARKING - LINE 12" (SOLID WHITE) |
| 4 MODIFIED URETHANE PAVEMENT MARKING - LINE 8" (SOLID WHITE LINE) | 10 GROOVING FOR RECESSED PAVEMENT MARKING 13" |
| 5 GROOVING FOR RECESSED PAVEMENT MARKING 6" | 11 WRONG WAY ARROWS (STANDARD 780001) |
| 6 GROOVING FOR RECESSED PAVEMENT MARKING 9" | 12 PREFORMED PLASTIC PAVEMENT MARKING, TYPE B - STANDARD - LINE 24" |

PROP. FOG SEAL SHLDRS.

PROP. HMA SUF REM 1 1/2"

2-7

1-5

3-5

PROP. FOG SEAL SHLDRS.

PROP. POLY HMA SURFACE CRSE 1 1/2"

1-5

3-5

PROP. FOG SEAL SHLDRS.

PROP. HMA SUF REM 1 1/2"

2-7

1-5

3-5

PROP. FOG SEAL SHLDRS.

PROP. POLY HMA SURFACE CRSE 1 1/2"

1-5

3-5

MODEL: Unnamed Plan-1 - Plan 7 (Sheet)
FILE NAME: c:\pw\work\wis\sydnie.schwarz@illinois.gov\0824879\0672304-shr-plan.dgn

USER NAME = Sydnie.Schwarz	DESIGNED -	REVISED -
DRAWN -	REVISIONS -	
PLOT SCALE = 0.16666633' / in.	CHECKED -	REVISED -
PLOT DATE = 1/25/2024	DATE -	REVISED -

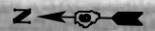
**STATE OF ILLINOIS
DEPARTMENT OF TRANSPORTATION**

PLAN SHEETS - I-55

SCALE: 1"=50' SHEET 4 OF 13 SHEETS STA. 844+00.00 TO STA. 874+00.00

F.A.I. RTE.	SECTION	COUNTY	TOTAL SHEETS	SHEET NO.
55	68-5(RS-4, CLV)	MONTGOMERY	34	17
CONTRACT NO. 72304				
ILLINOIS FED. AID PROJECT				

55, I-55 68-5(RS-4), CLV



MATCHLINE 874+00.00

MATCHLINE 889+00.00

874 | 875+00 | 876 | 877 | 878 | 879 | 880+00 | 881 | 882 | 883 | 884 | 885+00 | 886 | 887 | 888

MATCHLINE 889+00.00

MATCHLINE 904+00.00

889 | 890+00 | 891 | 892 | 893 | 894 | 895+00 | 896 | 897 | 898 | 899 | 900+00 | 901 | 902 | 903

PAVEMENT MARKING LEGEND	
1 MODIFIED URETHANE PAVEMENT MARKING - LINE 5" (SOLID WHITE LINE)	7 RAISED REFLECTIVE PAVEMENT MARKING (DOUBLE)
2 PREFORMED PLASTIC PAVEMENT MARKING, TYPE B - STANDARD - LINE 5" (SOLID SKIP DASH)	8 PREFORMED PLASTIC PAVEMENT MARKING, TYPE B - STANDARD - LINE 5" (WHITE - MINI SKIPS - 3'-9"-3')
3 MODIFIED URETHANE PAVEMENT MARKING - LINE 5" (SOLID YELLOW LINE)	9 MODIFIED URETHANE PAVEMENT MARKING - LINE 12" (SOLID WHITE)
4 MODIFIED URETHANE PAVEMENT MARKING - LINE 8" (SOLID WHITE LINE)	10 GROOVING FOR RECESSED PAVEMENT MARKING 13"
5 GROOVING FOR RECESSED PAVEMENT MARKING 6"	11 WRONG WAY ARROWS (STANDARD 780001)
6 GROOVING FOR RECESSED PAVEMENT MARKING 9"	12 PREFORMED PLASTIC PAVEMENT MARKING, TYPE B - STANDARD - LINE 24"

PROP. FOG SEAL SHLDRS. PROP. HMA SUF REM 1 1/2"

PROP. POLY HMA SURFACE CRSE 1 1/2"

PROP. FOG SEAL SHLDRS. PROP. HMA SUF REM 1 1/2"

PROP. POLY HMA SURFACE CRSE 1 1/2"

MODEL: Unnamed Plan-1 - Plan 9 (Sheet)
FILE NAME: c:\p\work\wis\wis\sydnie.schwarz@illinois.gov\0824879\0672304-shr-plan.dgn

USER NAME = Sydnie.Schwarz	DESIGNED -	REVISED -
DRAWN -	REVISED -	
PLOT SCALE = 0.16666633' / in.	CHECKED -	REVISED -
PLOT DATE = 1/25/2024	DATE -	REVISED -

**STATE OF ILLINOIS
DEPARTMENT OF TRANSPORTATION**

PLAN SHEETS - I-55

SCALE: 1"=50' SHEET 5 OF 13 SHEETS STA. 874+00.00 TO STA. 904+00.00

F.A.I RTE.	SECTION	COUNTY	TOTAL SHEETS	SHEET NO.
55	68-5(RS-4, CLV)	MONTGOMERY	34	18
CONTRACT NO. 72304				
ILLINOIS FED. AID PROJECT				

55, I-55 68-5(RS-4), CLV



- 24" X 12' CMP REPLACEMENT
 - PROP. CONCRETE END SECTION REM.
 - PROP. PIPE CULVERT REM.
 - PROP. PIPE CULVERT, CLASS D, TYPE 1, 24"
 - PROP. INLET BOX STANDARD 542501
 - PROP. CONCRETE PIPE COLLAR

- 24" X 6' CMP REPLACEMENT
 - PROP. CONCRETE END SECTION REM.
 - PROP. PIPE CULVERT REM.
 - PROP. PIPE CULVERT, CLASS D, TYPE 1, 24"
 - PROP. INLET BOX STANDARD 542501
 - PROP. CONCRETE PIPE COLLAR

- 24" X 6' CMP REPLACEMENT
 - PROP. CONCRETE END SECTION REM.
 - PROP. PIPE CULVERT REM.
 - PROP. PIPE CULVERT, CLASS D, TYPE 1, 24"
 - PROP. INLET BOX STANDARD 542501
 - PROP. CONCRETE PIPE COLLAR

- 24" X 12' CMP REPLACEMENT
 - PROP. CONCRETE END SECTION REM.
 - PROP. PIPE CULVERT REM.
 - PROP. PIPE CULVERT, CLASS D, TYPE 1, 24"
 - PROP. INLET BOX STANDARD 542501
 - PROP. CONCRETE PIPE COLLAR

SN068-7016
 STA. 913+00
 8' x 4' BOX CULV.
 SKEWED 20°00'00"

PAVEMENT MARKING LEGEND			
1 MODIFIED URETHANE PAVEMENT MARKING - LINE 5" (SOLID WHITE LINE)	7 RAISED REFLECTIVE PAVEMENT MARKING (DOUBLE)		
2 PREFORMED PLASTIC PAVEMENT MARKING, TYPE B - STANDARD - LINE 5" (SOLID SKIP DASH)	8 PREFORMED PLASTIC PAVEMENT MARKING, TYPE B - STANDARD - LINE 5" (WHITE - MINI SKIPS - 3'-9"-3')		
3 MODIFIED URETHANE PAVEMENT MARKING - LINE 5" (SOLID YELLOW LINE)	9 MODIFIED URETHANE PAVEMENT MARKING - LINE 12" (SOLID WHITE)		
4 MODIFIED URETHANE PAVEMENT MARKING - LINE 8" (SOLID WHITE LINE)	10 GROOVING FOR RECESSED PAVEMENT MARKING 13"		
5 GROOVING FOR RECESSED PAVEMENT MARKING 6"	11 WRONG WAY ARROWS (STANDARD 780001)		
6 GROOVING FOR RECESSED PAVEMENT MARKING 9"	12 PREFORMED PLASTIC PAVEMENT MARKING, TYPE B - STANDARD - LINE 24"		

MATCHLINE 904+00.00

MATCHLINE 919+00.00

MATCHLINE 919+00.00

MATCHLINE 934+00.00

MODEL: Unnamed Plan-1 - Plan 11 (Sheet)
 FILE NAME: c:\pwworking\sydnieschwarz@illinois.gov\0824879\0672304-shr-plan.dgn

USER NAME = Sydney.Schwarz	DESIGNED -	REVISED -
DRAWN -	REVISED -	
PLOT SCALE = 0.16666833' / in.	CHECKED -	REVISED -
PLOT DATE = 1/25/2024	DATE -	REVISED -

**STATE OF ILLINOIS
 DEPARTMENT OF TRANSPORTATION**

PLAN SHEETS - I-55

SCALE: 1"=50' SHEET 6 OF 13 SHEETS STA. 904+00.00 TO STA. 934+00.00

F.A.I. RTE.	SECTION	COUNTY	TOTAL SHEETS	SHEET NO.
55	68-5(RS-4, CLV)	MONTGOMERY	34	19
CONTRACT NO. 72304				
ILLINOIS FED. AID PROJECT				

55, I-55 68-5(RS-4), CLV



MATCHLINE 934+00.00

MATCHLINE 949+00.00

934 935+00 936 937 938 939 940+00 941 942 943 944 945+00 946 947 948

SN068-7015
STA. 947+62.5
TWIN 66" RCCP

PROP. FOG SEAL SHLDRS. PROP. HMA SUF REM 1 1/2"

2-7 1-5 3-5

PROP. FOG SEAL SHLDRS. PROP. POLY HMA SURFACE CRSE 1 1/2"

REMOVE AND REPLACE WOVEN WIRE FENCE
SEE CULVERT DETAIL FOR MORE INFORMATION - SHEET 29

66" X 24' ID RCP REPLACEMENT
SEE CULVERT DETAIL FOR MORE INFORMATION - SHEET 29

PAVEMENT MARKING LEGEND	
1 MODIFIED URETHANE PAVEMENT MARKING - LINE 5" (SOLID WHITE LINE)	7 RAISED REFLECTIVE PAVEMENT MARKING (DOUBLE)
2 PREFORMED PLASTIC PAVEMENT MARKING, TYPE B - STANDARD - LINE 5" (SOLID SKIP DASH)	8 PREFORMED PLASTIC PAVEMENT MARKING, TYPE B - STANDARD - LINE 5" (WHITE - MINI SKIPS - 3'-9"-3')
3 MODIFIED URETHANE PAVEMENT MARKING - LINE 5" (SOLID YELLOW LINE)	9 MODIFIED URETHANE PAVEMENT MARKING - LINE 12" (SOLID WHITE)
4 MODIFIED URETHANE PAVEMENT MARKING - LINE 8" (SOLID WHITE LINE)	10 GROOVING FOR RECESSED PAVEMENT MARKING 13"
5 GROOVING FOR RECESSED PAVEMENT MARKING 6"	11 WRONG WAY ARROWS (STANDARD 780001)
6 GROOVING FOR RECESSED PAVEMENT MARKING 9"	12 PREFORMED PLASTIC PAVEMENT MARKING, TYPE B - STANDARD - LINE 24"

MATCHLINE 949+00.00

MATCHLINE 964+00.00

949 950+00 951 952 953 954 955+00 956 957 958 959 960+00 961 962 963

PROP. FOG SEAL SHLDRS. PROP. HMA SUF REM 1 1/2"

2-7 1-5 3-5

PROP. FOG SEAL SHLDRS. PROP. POLY HMA SURFACE CRSE 1 1/2"

1-5 3-5

MODEL: Unnamed Plan-1 - Plan 13 [Sheet]
FILE NAME: c:\p\work\wisid\sydnie.schwarz@illinois.gov\0824879\0672304-shr-plan.dgn

USER NAME = Sydnie.Schwarz	DESIGNED -	REVISED -
DRAWN -	REVISOR -	REVISION -
PLOT SCALE = 0.16666633' / in.	CHECKED -	REVISOR -
PLOT DATE = 1/25/2024	DATE -	REVISION -

**STATE OF ILLINOIS
DEPARTMENT OF TRANSPORTATION**

PLAN SHEETS - I-55

SCALE: 1"=50' SHEET 7 OF 13 SHEETS STA. 934+00.00 TO STA. 964+00.00

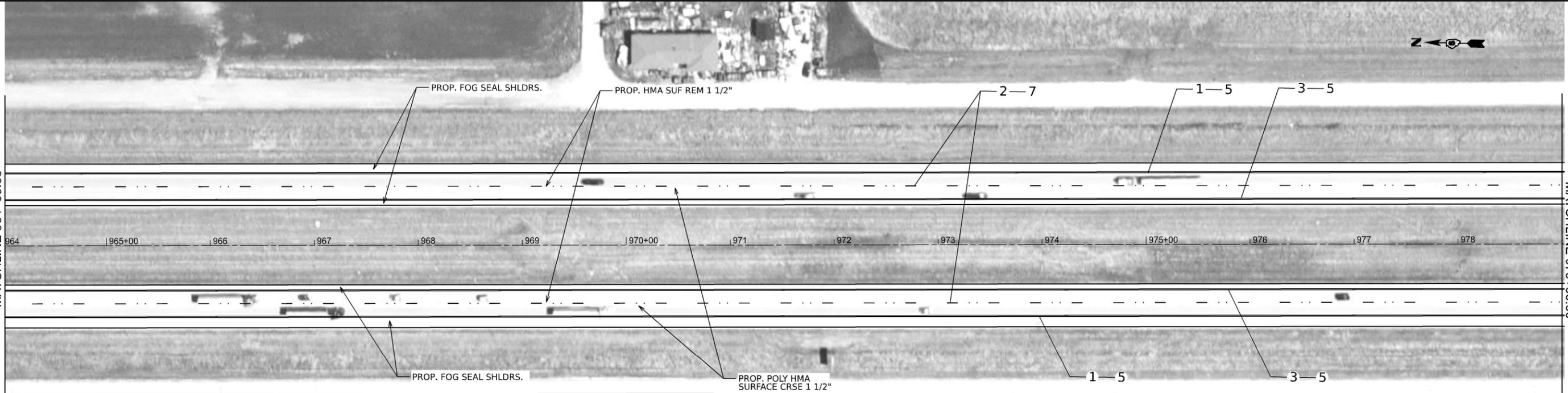
F.A.I RTE.	SECTION	COUNTY	TOTAL SHEETS	SHEET NO.
55	68-5(RS-4, CLV)	MONTGOMERY	34	20
CONTRACT NO. 72304				
ILLINOIS FED. AID PROJECT				

55, I-55 68-5(RS-4), CLV



MATCHLINE 964+00.00

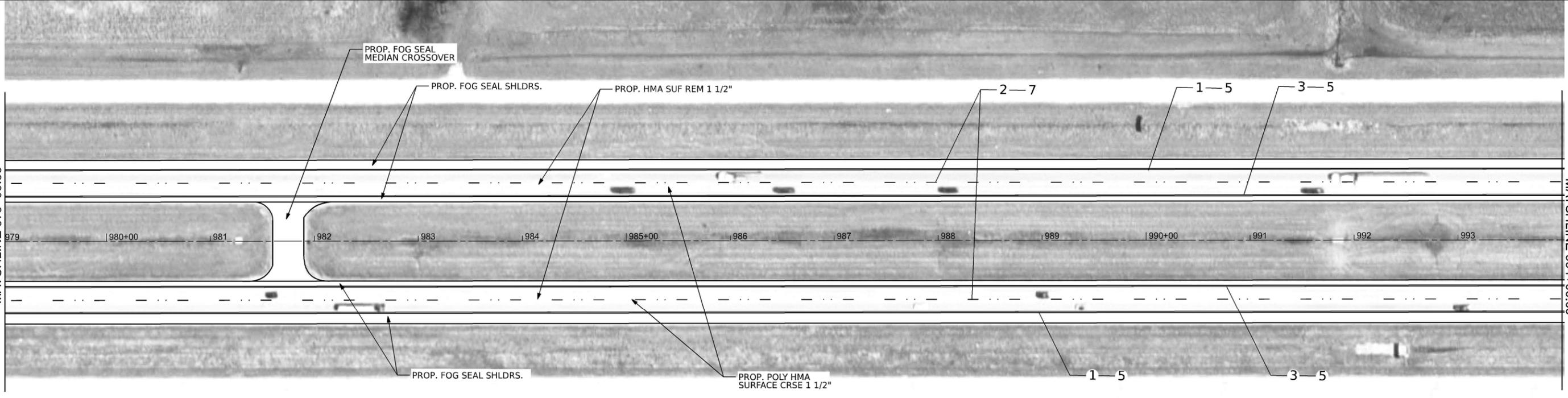
MATCHLINE 979+00.00



PAVEMENT MARKING LEGEND			
1	MODIFIED URETHANE PAVEMENT MARKING - LINE 5" (SOLID WHITE LINE)	7	RAISED REFLECTIVE PAVEMENT MARKING (DOUBLE)
2	PREFORMED PLASTIC PAVEMENT MARKING. TYPE B - STANDARD - LINE 5" (SOLID SKIP DASH)	8	PREFORMED PLASTIC PAVEMENT MARKING. TYPE B - STANDARD - LINE 5" (WHITE - MINI SKIPS - 3'-9"-3')
3	MODIFIED URETHANE PAVEMENT MARKING - LINE 5" (SOLID YELLOW LINE)	9	MODIFIED URETHANE PAVEMENT MARKING - LINE 12" (SOLID WHITE)
4	MODIFIED URETHANE PAVEMENT MARKING - LINE 8" (SOLID WHITE LINE)	10	GROOVING FOR RECESSED PAVEMENT MARKING 13"
5	GROOVING FOR RECESSED PAVEMENT MARKING 6"	11	WRONG WAY ARROWS (STANDARD 780001)
6	GROOVING FOR RECESSED PAVEMENT MARKING 9"	12	PREFORMED PLASTIC PAVEMENT MARKING. TYPE B - STANDARD - LINE 24"

MATCHLINE 979+00.00

MATCHLINE 994+00.00



MODEL: Unnamed Plan-1 - Plan 15 (Sheet)
FILE NAME: c:\pw\work\wis\sydnie.schwarz@illinois.gov\0824879\0672304-shr-plan.dgn

USER NAME = Sydnie.Schwarz	DESIGNED -	REVISED -
DRAWN -	REVISED -	
PLOT SCALE = 0.16666633' / in.	CHECKED -	REVISED -
PLOT DATE = 1/25/2024	DATE -	REVISED -

**STATE OF ILLINOIS
DEPARTMENT OF TRANSPORTATION**

PLAN SHEETS - I-55

SCALE: 1"=50' SHEET 8 OF 13 SHEETS STA. 964+00.00 TO STA. 994+00.00

F.A.I. RTE.	SECTION	COUNTY	TOTAL SHEETS	SHEET NO.
55	68-5(RS-4, CLV)	MONTGOMERY	34	21
CONTRACT NO. 72304				
ILLINOIS FED. AID PROJECT				

55, I-55 68-5(RS-4), CLV

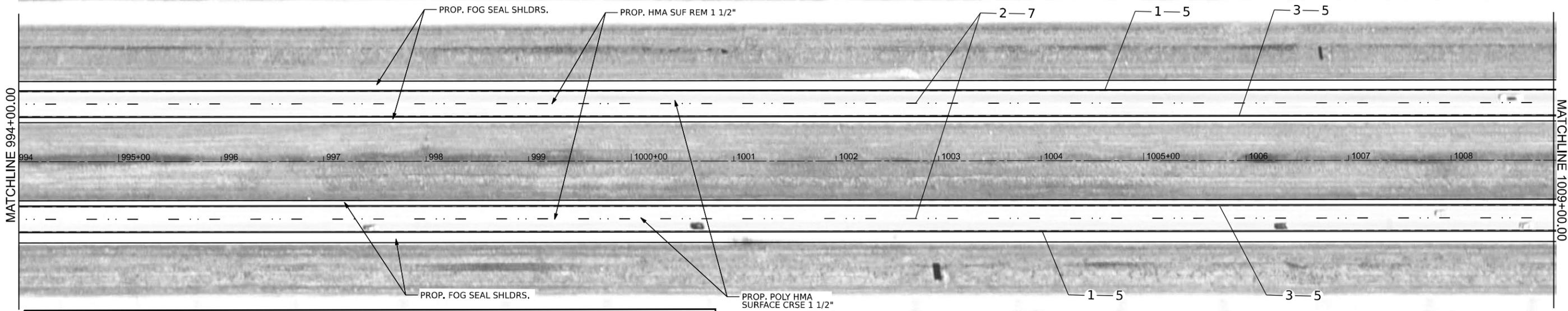


MATCHLINE 994+00.00

MATCHLINE 1009+00.00

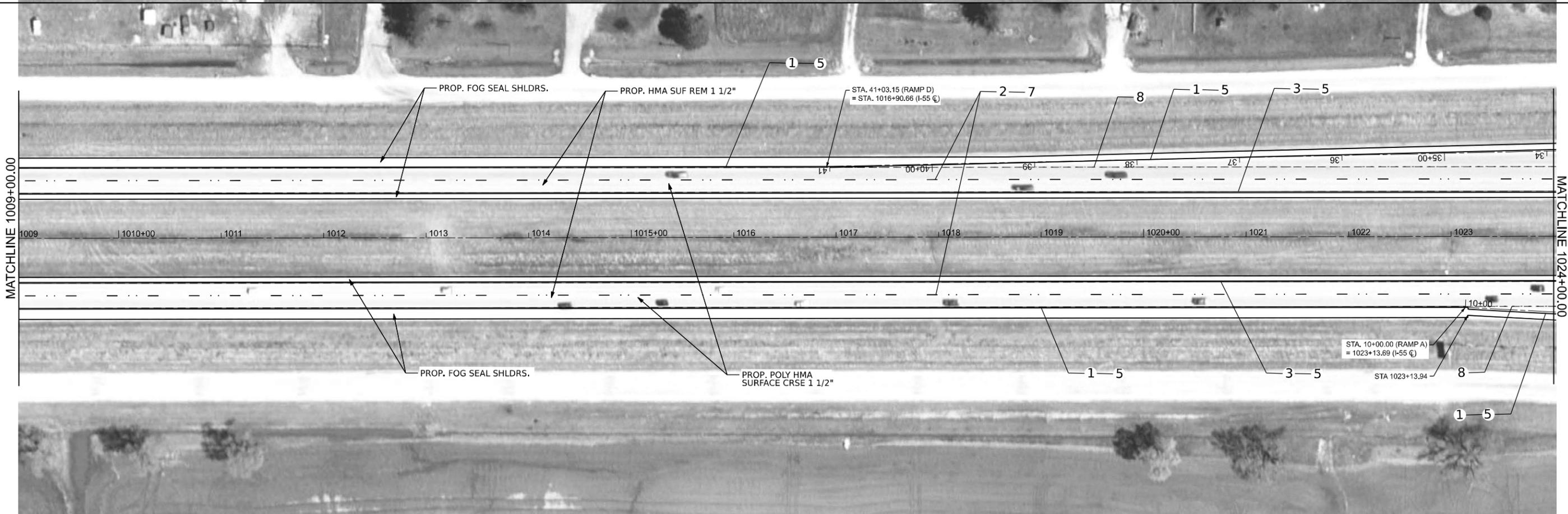
MATCHLINE 1009+00.00

MATCHLINE 1024+00.00



PAVEMENT MARKING LEGEND

1 MODIFIED URETHANE PAVEMENT MARKING - LINE 5" (SOLID WHITE LINE)	7 RAISED REFLECTIVE PAVEMENT MARKING (DOUBLE)
2 PREFORMED PLASTIC PAVEMENT MARKING, TYPE B - STANDARD - LINE 5" (SOLID SKIP DASH)	8 PREFORMED PLASTIC PAVEMENT MARKING, TYPE B - STANDARD - LINE 5" (WHITE - MINI SKIPS - 3'-9"-3')
3 MODIFIED URETHANE PAVEMENT MARKING - LINE 5" (SOLID YELLOW LINE)	9 MODIFIED URETHANE PAVEMENT MARKING - LINE 12" (SOLID WHITE)
4 MODIFIED URETHANE PAVEMENT MARKING - LINE 8" (SOLID WHITE LINE)	10 GROOVING FOR RECESSED PAVEMENT MARKING 13"
5 GROOVING FOR RECESSED PAVEMENT MARKING 6"	11 WRONG WAY ARROWS (STANDARD 780001)
6 GROOVING FOR RECESSED PAVEMENT MARKING 9"	12 PREFORMED PLASTIC PAVEMENT MARKING, TYPE B - STANDARD - LINE 24"



MODEL: Unnamed Plan-1 - Plan 17 [Sheet]
FILE NAME: c:\pwworking\sydnieschwarz@illinois.gov\d0824879\1024+00-4-shp-plan.dgn

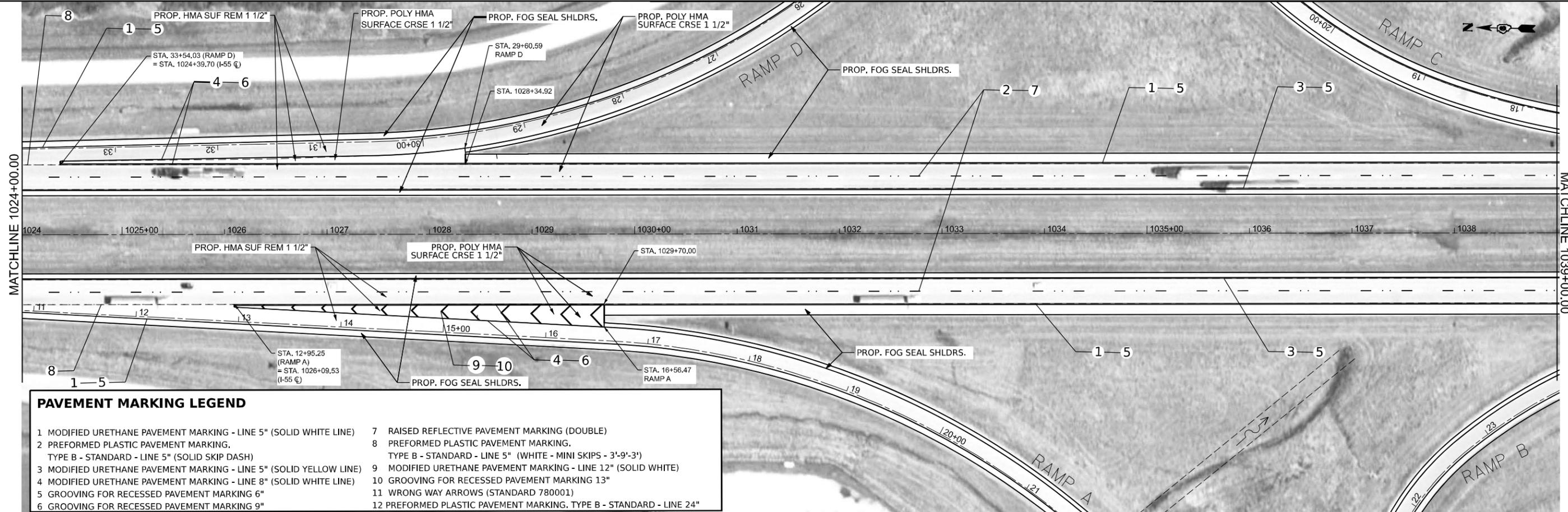
USER NAME = Sydnie.Schwarz	DESIGNED -	REVISED -
DRAWN -	REVISED -	REVISED -
PLOT SCALE = 0.16666633' / in.	CHECKED -	REVISED -
PLOT DATE = 1/25/2024	DATE -	REVISED -

**STATE OF ILLINOIS
DEPARTMENT OF TRANSPORTATION**

PLAN SHEETS - I-55			
SCALE: 1"=50'	SHEET 9	OF 13 SHEETS	STA. 994+00.00 TO STA. 1024+00.00

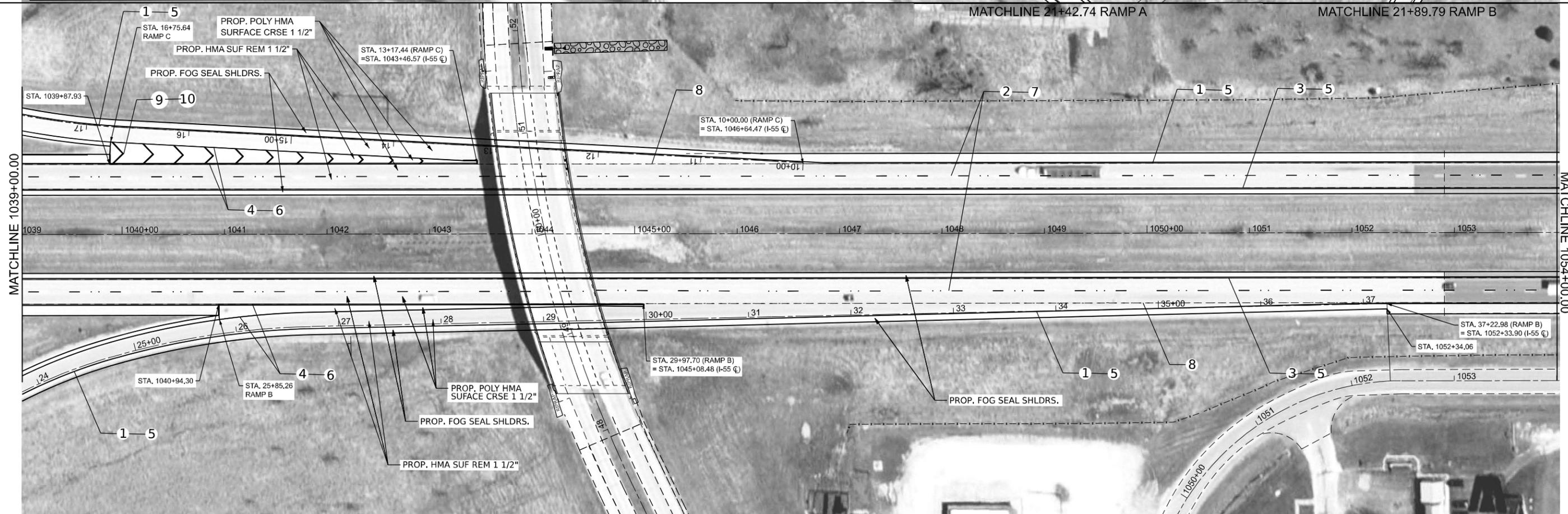
F.A.I. RTE.	SECTION	COUNTY	TOTAL SHEETS	SHEET NO.
55	68-5(RS-4, CLV)	MONTGOMERY	34	22
CONTRACT NO. 72304				
ILLINOIS FED. AID PROJECT				

55, I-55 68-5(RS-4), CLV



PAVEMENT MARKING LEGEND

1 MODIFIED URETHANE PAVEMENT MARKING - LINE 5" (SOLID WHITE LINE)	7 RAISED REFLECTIVE PAVEMENT MARKING (DOUBLE)
2 PREFORMED PLASTIC PAVEMENT MARKING, TYPE B - STANDARD - LINE 5" (SOLID SKIP DASH)	8 PREFORMED PLASTIC PAVEMENT MARKING, TYPE B - STANDARD - LINE 5" (WHITE - MINI SKIPS - 3'-9"-3')
3 MODIFIED URETHANE PAVEMENT MARKING - LINE 5" (SOLID YELLOW LINE)	9 MODIFIED URETHANE PAVEMENT MARKING - LINE 12" (SOLID WHITE)
4 MODIFIED URETHANE PAVEMENT MARKING - LINE 8" (SOLID WHITE LINE)	10 GROOVING FOR RECESSED PAVEMENT MARKING 13"
5 GROOVING FOR RECESSED PAVEMENT MARKING 6"	11 WRONG WAY ARROWS (STANDARD 780001)
6 GROOVING FOR RECESSED PAVEMENT MARKING 9"	12 PREFORMED PLASTIC PAVEMENT MARKING, TYPE B - STANDARD - LINE 24"



MODEL: Unnamed Plan-1 - Plan 19 (Sheet)
 FILE NAME: c:\pwworking\sydnieschwarz@illinois.gov\10824879\10824879.dwg

USER NAME = Sydnie.Schwarz	DESIGNED -	REVISED -
DRAWN -	REVISOR -	
PLOT SCALE = 0.16666833 / in.	CHECKED -	REVISOR -
PLOT DATE = 1/25/2024	DATE -	REVISOR -

**STATE OF ILLINOIS
DEPARTMENT OF TRANSPORTATION**

PLAN SHEETS - I-55

SCALE: 1"=50' SHEET 10 OF 13 SHEETS STA. 1024+00.00 TO STA. 1054+00.00

F.A.I. RTE.	SECTION	COUNTY	TOTAL SHEETS	SHEET NO.
55	68-5(RS-4, CLV)	MONTGOMERY	34	23
CONTRACT NO. 72304				

ILLINOIS FED. AID PROJECT 55, I-55 68-5(RS-4), CLV



MATCHLINE 1054+00.00

PAVEMENT MARKING LEGEND	
1 MODIFIED URETHANE PAVEMENT MARKING - LINE 5" (SOLID WHITE LINE)	7 RAISED REFLECTIVE PAVEMENT MARKING (DOUBLE)
2 PREFORMED PLASTIC PAVEMENT MARKING, TYPE B - STANDARD - LINE 5" (SOLID SKIP DASH)	8 PREFORMED PLASTIC PAVEMENT MARKING, TYPE B - STANDARD - LINE 5" (WHITE - MINI SKIPS - 3'-9"-3')
3 MODIFIED URETHANE PAVEMENT MARKING - LINE 5" (SOLID YELLOW LINE)	9 MODIFIED URETHANE PAVEMENT MARKING - LINE 12" (SOLID WHITE)
4 MODIFIED URETHANE PAVEMENT MARKING - LINE 8" (SOLID WHITE LINE)	10 GROOVING FOR RECESSED PAVEMENT MARKING 13"
5 GROOVING FOR RECESSED PAVEMENT MARKING 6"	11 WRONG WAY ARROWS (STANDARD 780001)
6 GROOVING FOR RECESSED PAVEMENT MARKING 9"	12 PREFORMED PLASTIC PAVEMENT MARKING, TYPE B - STANDARD - LINE 24"

MODEL: Unnamed Plan-1 - ADDITIONAL DRAINAGE (Sheet)
FILE NAME: c:\pwworking\sydnie.schwarz@illinois.gov\d0824879\0672304-shr-plan.dgn

USER NAME = Sydnie.Schwarz	DESIGNED -	REVISED -
DRAWN -	REVISOR -	
PLOT SCALE = 0.16666633' / in.	CHECKED -	REVISED -
PLOT DATE = 1/26/2024	DATE -	REVISED -

**STATE OF ILLINOIS
DEPARTMENT OF TRANSPORTATION**

PLAN SHEETS - I-55

SCALE: 1"=50' SHEET 11 OF 13 SHEETS STA. 1054+00.00 TO STA. 1066+00.00

F.A.I. RTE.	SECTION	COUNTY	TOTAL SHEETS	SHEET NO.
55	68-5(RS-4, CLV)	MONTGOMERY	34	24
CONTRACT NO. 72304				
ILLINOIS FED. AID PROJECT				

55, I-55 68-5(RS-4), CLV



PAVEMENT MARKING LEGEND

- | | |
|---|---|
| 1 MODIFIED URETHANE PAVEMENT MARKING - LINE 5" (SOLID WHITE LINE) | 7 RAISED REFLECTIVE PAVEMENT MARKING (DOUBLE) |
| 2 PREFORMED PLASTIC PAVEMENT MARKING, TYPE B - STANDARD - LINE 5" (SOLID SKIP DASH) | 8 PREFORMED PLASTIC PAVEMENT MARKING, TYPE B - STANDARD - LINE 5" (WHITE - MINI SKIPS - 3'-9"-3') |
| 3 MODIFIED URETHANE PAVEMENT MARKING - LINE 5" (SOLID YELLOW LINE) | 9 MODIFIED URETHANE PAVEMENT MARKING - LINE 12" (SOLID WHITE) |
| 4 MODIFIED URETHANE PAVEMENT MARKING - LINE 8" (SOLID WHITE LINE) | 10 GROOVING FOR RECESSED PAVEMENT MARKING 13" |
| 5 GROOVING FOR RECESSED PAVEMENT MARKING 6" | 11 WRONG WAY ARROWS (STANDARD 780001) |
| 6 GROOVING FOR RECESSED PAVEMENT MARKING 9" | 12 PREFORMED PLASTIC PAVEMENT MARKING, TYPE B - STANDARD - LINE 24" |

MODEL: WEST RAMPS (Sheet)
 FILE NAME: c:\p\work\72304\sydnie.schwarz\illinois.spc\10824879\10672304-sht-plan.dgn

USER NAME = Sydnie.Schwarz	DESIGNED -	REVISED -
DRAWN -	REVISOR -	
PLOT SCALE = 0.16666833' / in.	CHECKED -	REVISED -
PLOT DATE = 1/25/2024	DATE -	REVISED -

STATE OF ILLINOIS
DEPARTMENT OF TRANSPORTATION

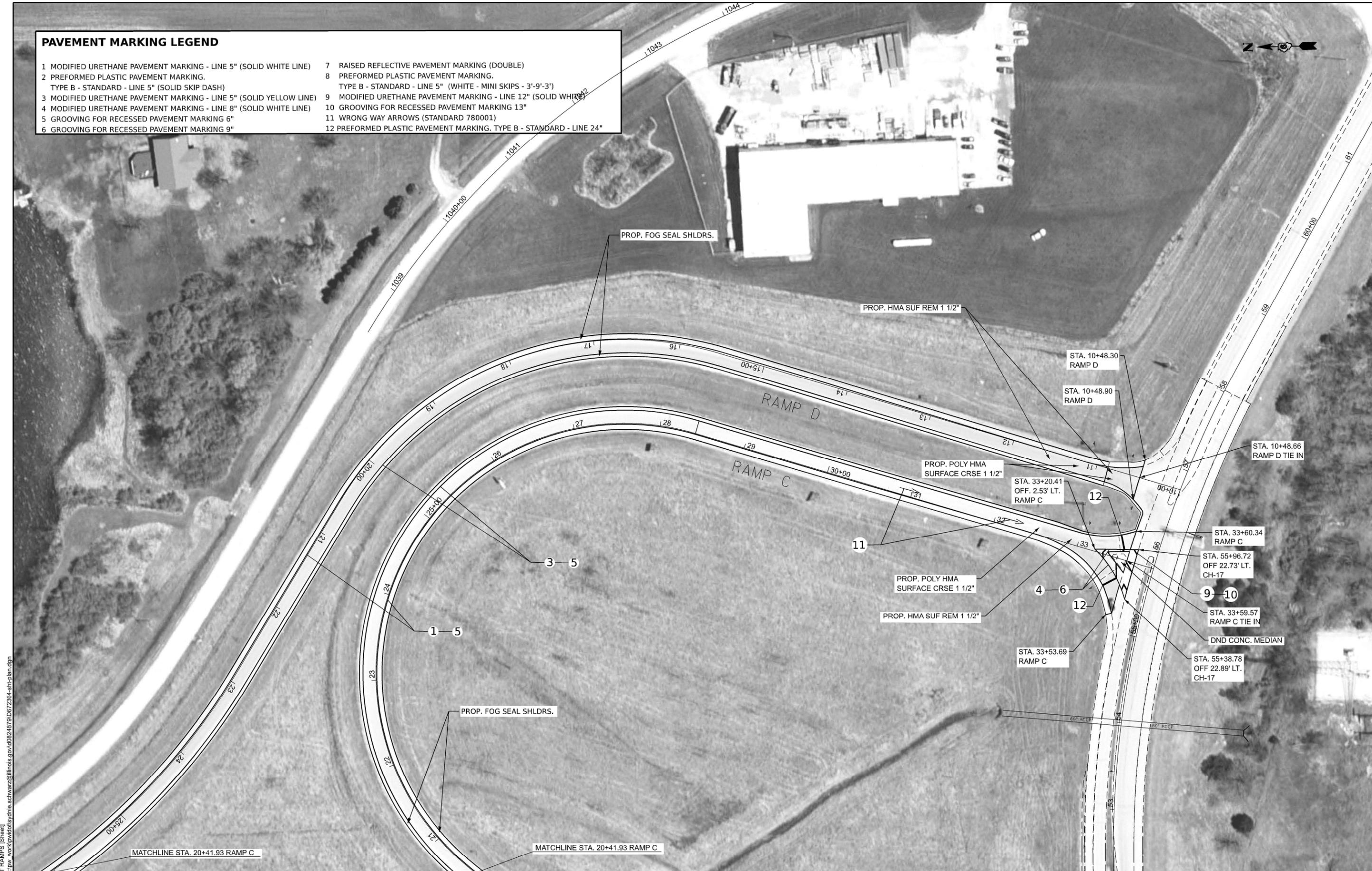
PLAN SHEETS - I-55 INTERCHANGE
WEST RAMPS

SCALE: 1"=50' SHEET 12 OF 13 SHEETS STA. TO STA.

F.A.I. RTE.	SECTION	COUNTY	TOTAL SHEETS	SHEET NO.
55	68-5(RS-4, CLV)	MONTGOMERY	34	25
CONTRACT NO. 72304				
ILLINOIS FED. AID PROJECT				

PAVEMENT MARKING LEGEND

- | | |
|--|--|
| 1 MODIFIED URETHANE PAVEMENT MARKING - LINE 5" (SOLID WHITE LINE) | 7 RAISED REFLECTIVE PAVEMENT MARKING (DOUBLE) |
| 2 PREFORMED PLASTIC PAVEMENT MARKING.
TYPE B - STANDARD - LINE 5" (SOLID SKIP DASH) | 8 PREFORMED PLASTIC PAVEMENT MARKING.
TYPE B - STANDARD - LINE 5" (WHITE - MINI SKIPS - 3'-9"-3') |
| 3 MODIFIED URETHANE PAVEMENT MARKING - LINE 5" (SOLID YELLOW LINE) | 9 MODIFIED URETHANE PAVEMENT MARKING - LINE 12" (SOLID WHITE) |
| 4 MODIFIED URETHANE PAVEMENT MARKING - LINE 8" (SOLID WHITE LINE) | 10 GROOVING FOR RECESSED PAVEMENT MARKING 13" |
| 5 GROOVING FOR RECESSED PAVEMENT MARKING 6" | 11 WRONG WAY ARROWS (STANDARD 780001) |
| 6 GROOVING FOR RECESSED PAVEMENT MARKING 9" | 12 PREFORMED PLASTIC PAVEMENT MARKING. TYPE B - STANDARD - LINE 24" |



MODEL: EAST RAMPS (Sheet)
 FILE NAME: c:\p\work\pav\sydnieschwarz\illinois\gov\0824879\0672304-shr-plan.dgn

MATCHLINE STA. 20+41.93 RAMP C

MATCHLINE STA. 20+41.93 RAMP C

USER NAME = Sydney.Schwarz	DESIGNED -	REVISED -
PLOT SCALE = 0.16666633 1/In.	DRAWN -	REVISED -
PLOT DATE = 1/25/2024	CHECKED -	REVISED -
	DATE -	REVISED -

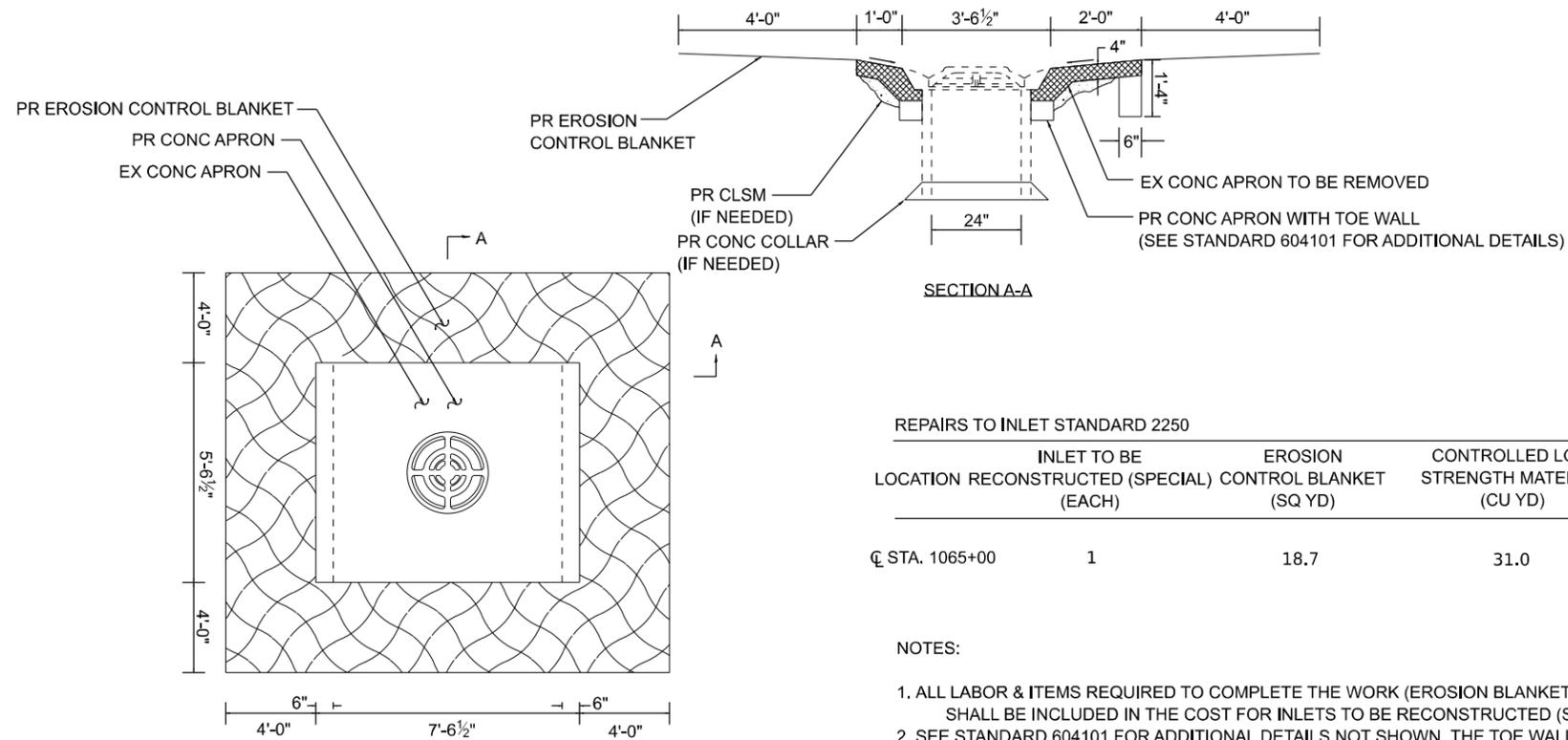
STATE OF ILLINOIS
DEPARTMENT OF TRANSPORTATION

PLAN SHEETS - I-55 INTERCHANGE
EAST RAMPS

SCALE: 1"=50' SHEET 13 OF 13 SHEETS STA. TO STA.

F.A.I. RTE.	SECTION	COUNTY	TOTAL SHEETS	SHEET NO.
55	68-5(RS-4, CLV)	MONTGOMERY	34	26
CONTRACT NO. 72304				
ILLINOIS FED. AID PROJECT				

55, I-55 68-5(RS-4), CLV



REPAIRS TO INLET STANDARD 2250

LOCATION	INLET TO BE RECONSTRUCTED (SPECIAL) (EACH)	EROSION CONTROL BLANKET (SQ YD)	CONTROLLED LOW STRENGTH MATERIAL (CU YD)	CONCRETE COLLAR (CU YD)
☉ STA. 1065+00	1	18.7	31.0	0.2

NOTES:

- ALL LABOR & ITEMS REQUIRED TO COMPLETE THE WORK (EROSION BLANKET, CONCRETE COLLAR & SEEDING) SHALL BE INCLUDED IN THE COST FOR INLETS TO BE RECONSTRUCTED (SPECIAL).
- SEE STANDARD 604101 FOR ADDITIONAL DETAILS NOT SHOWN. THE TOE WALL AT THE LONG END OF THE APRON IS IN ADDITION TO WHAT IS SHOWN IN STANDARD 604101.
- CONTROLLED LOW STRENGTH MATERIAL AND/OR CONCRETE COLLAR TO BE USED IF DEEMED NECESSARY BY THE ENGINEER, THE QUANTITY IN THE ABOVE SCHEDULE IS ESTIMATED. ACTUAL QUANTITY TO BE DETERMINED BY THE ENGINEER IN THE FIELD.

MODEL: INLET REPAIR DETAIL (Sheet)
FILE NAME: c:\p\work\p\inlet\robert.miles@illinois.gov\0824879\0572304-sh-detailed.dgn

USER NAME = Robert.Miles	DESIGNED -	REVISED -
	DRAWN -	REVISED -
PLOT SCALE = \$SCALE\$	CHECKED -	REVISED -
PLOT DATE = 3/8/2024	DATE -	REVISED -

**STATE OF ILLINOIS
DEPARTMENT OF TRANSPORTATION**

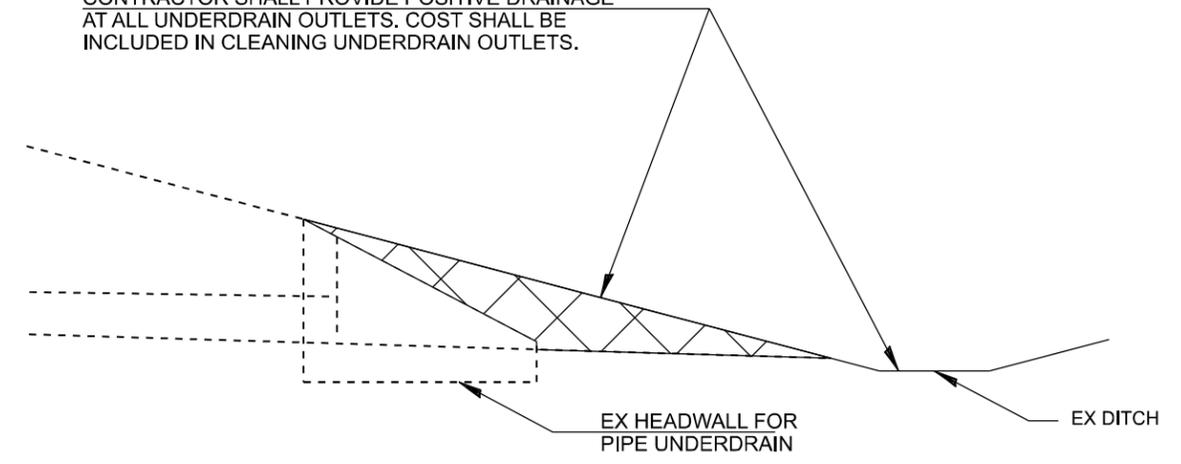
INLET REPAIR DETAIL

SCALE: N/A SHEET 1 OF 8 SHEETS STA. TO STA.

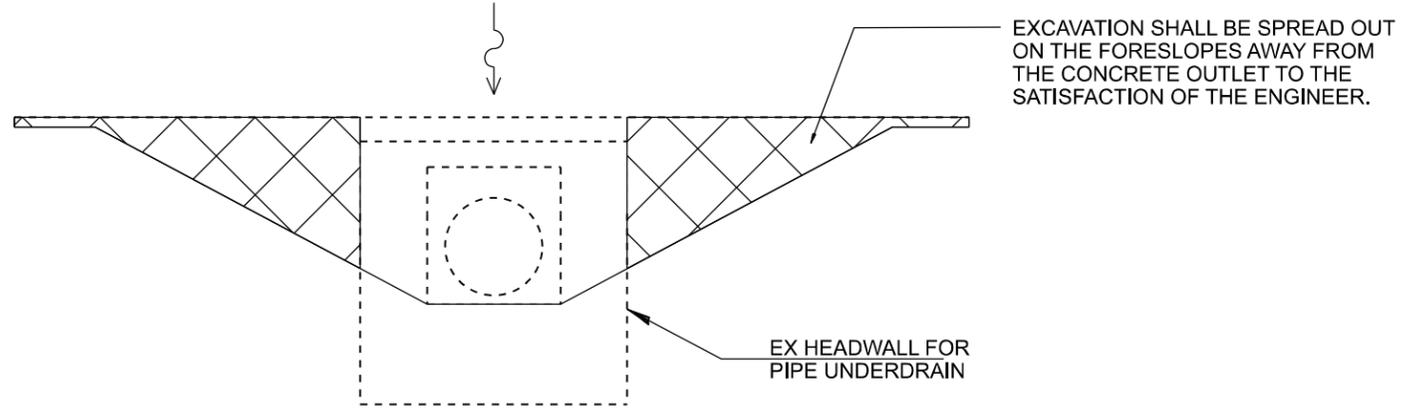
F.A.I RTE.	SECTION	COUNTY	TOTAL SHEETS	SHEET NO.
55	68-5(RS-4, CLV)	MONTGOMERY	34	27
CONTRACT NO. 72304				

55, I-55 68-5(RS-4), CLV

ALL UNDERDRAIN OUTLETS, COST SHALL BE INCLUDED IN CLEANING UNDERDRAIN OUTLETS.



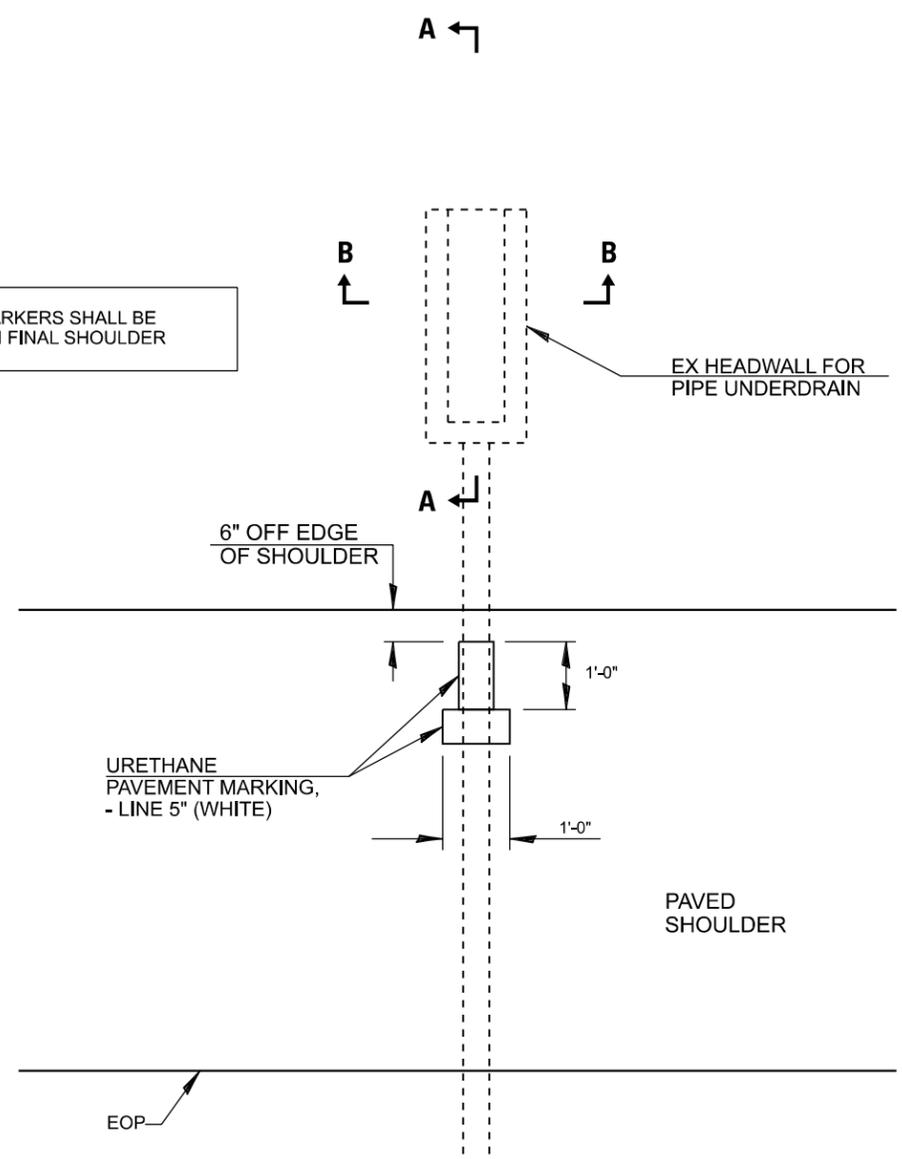
SECTION A-A



DITCH FLOW LINE

SECTION B-B

OUTLET MARKERS SHALL BE PLACED ON FINAL SHOULDER



TYPICAL PIPE UNDERDRAIN MARKER DETAIL

MODEL: Outlet marker Detail sheet (Sheet)
FILE NAME: c:\p\work\projects\chris.schwarz@illinois.gov\0824879\0672304-shr-details.dgn

USER NAME = Sydnie.Schwarz	DESIGNED -	REVISED -
PLOT SCALE = 0.16666633' / in.	DRAWN -	REVISED -
PLOT DATE = 1/25/2024	CHECKED -	REVISED -
	DATE -	REVISED -

STATE OF ILLINOIS
DEPARTMENT OF TRANSPORTATION

OUTLET MARKER DETAIL

SCALE: N/A SHEET 2 OF 8 SHEETS STA. TO STA.

F.A.I RTE.	SECTION	COUNTY	TOTAL SHEETS	SHEET NO.
55	68-5(RS-4, CLV)	MONTGOMERY	34	28
CONTRACT NO. 72304				
ILLINOIS FED. AID PROJECT				

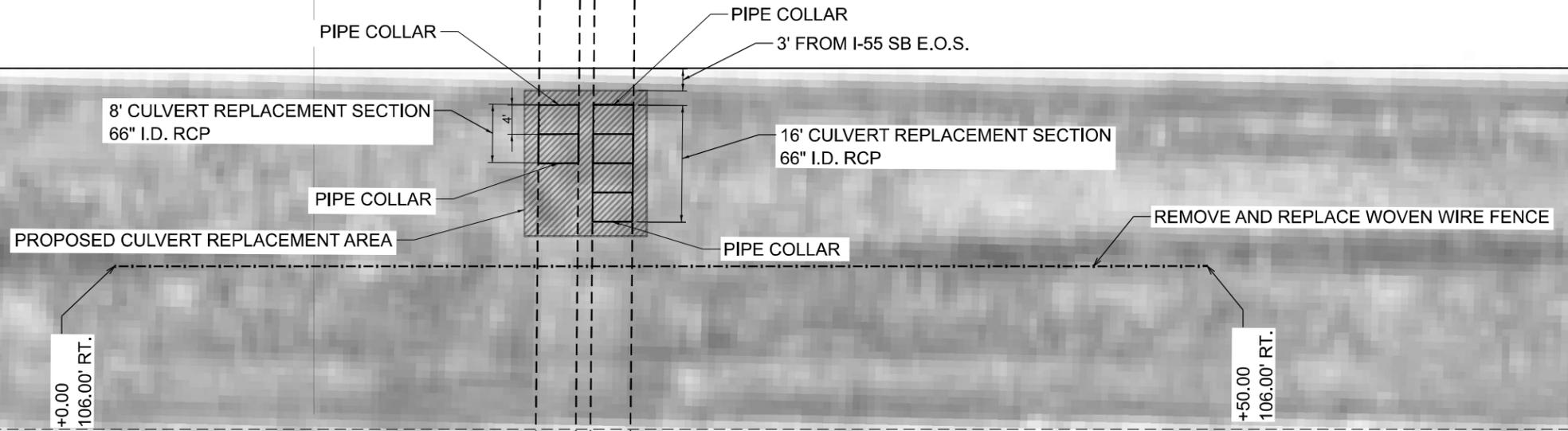
55, I-55 68-5(RS-4), CLV

947

948

949

I-55 SB



W FRONTAGE ROAD

MODEL: Culvert Detail Sheet [Sheet]
FILE NAME: c:\p\work\wis\sydnie.schwarz@illinois.gov\0824879\0672304-shr-culvert-detail.dgn

USER NAME = Sydnie.Schwarz	DESIGNED -	REVISED -
	DRAWN -	REVISED -
PLOT SCALE = 0.16666633 1/ in.	CHECKED -	REVISED -
PLOT DATE = 2/1/2024	DATE -	REVISED -

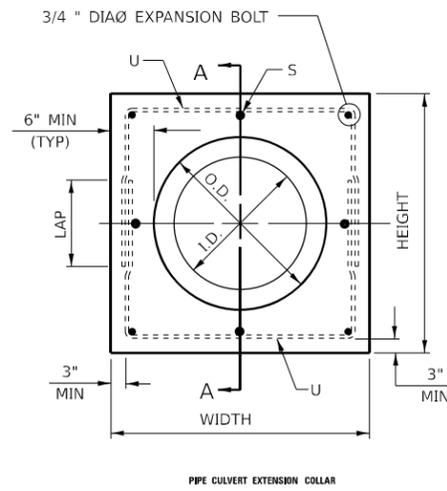
STATE OF ILLINOIS
DEPARTMENT OF TRANSPORTATION

CULVERT MODIFICATION DETAIL
S.N. 068-7015

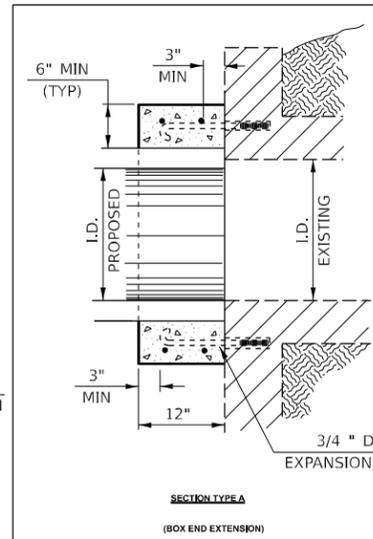
SCALE: 1"=20" SHEET 3 OF 8 SHEETS STA. N/A TO STA. N/A

F.A.I RTE.	SECTION	COUNTY	TOTAL SHEETS	SHEET NO.
55	68-5(RS-4, CLV)	MONTGOMERY	34	29
CONTRACT NO. 72304				

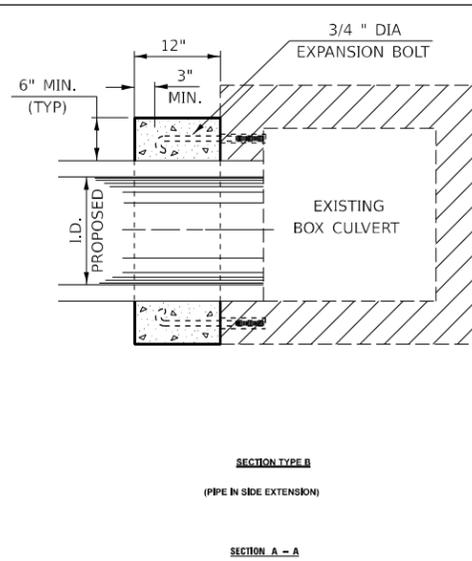
55, I-55 68-5(RS-4), CLV



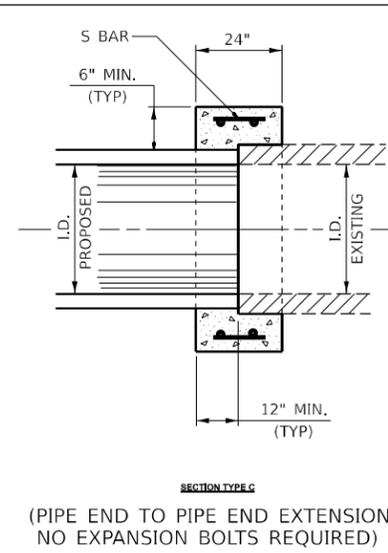
PIPE CULVERT EXTENSION COLLAR



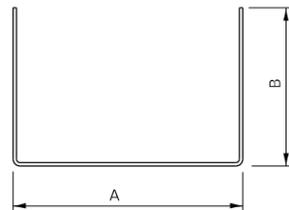
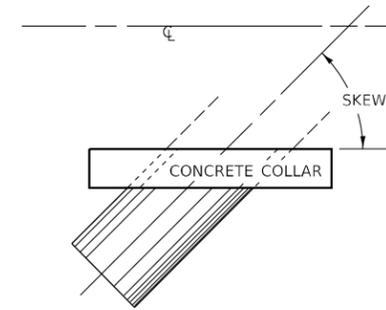
SECTION TYPE A
(BOX END EXTENSION)



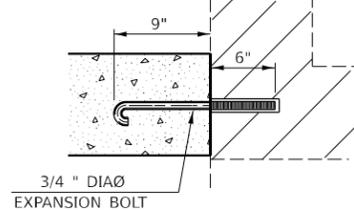
SECTION TYPE B
(PIPE IN SIDE EXTENSION)
SECTION A - A



SECTION TYPE C
(PIPE END TO PIPE END EXTENSION
NO EXPANSION BOLTS REQUIRED)

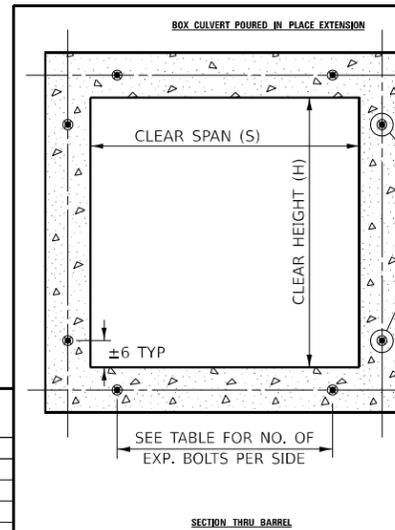


#4 U - BAR



EXPANSION BOLT DETAIL

- NOTES:
- EXPANSION BOLTS SHALL CONSIST OF SELF DRILLING EXPANSION SHIELDS AND 3/4" DIA HOOKED BOLTS. HOOKED BOLTS SHALL EXTEND A MINIMUM OF 9" INTO NEW CONCRETE. MINIMUM CERTIFIED PROOF LOAD - 4,080 LBS.
 - USE MINIMUM OF 1 (ONE) EXPANSION BOLT AT EACH CORNER.



SECTION THRU BARREL

EXPANSION BOLTS REQUIRED FOR CULVERT EXTENSIONS

H OR S	NO. EXPANSION BOLTS REQ'D. PER SIDE			
	EXTENSION ≤ 15FT NO. SPACING	EXTENSION > 15FT NO. SPACING	EXTENSION ≤ 15FT NO. SPACING	EXTENSION > 15FT NO. SPACING
24"	*	*	*	*
30"	2	18"	2	18"
36"	2	24"	2	24"
48"	3	18"	3	18"
60"	4	16"	3	24"
72"	5	15"	4	20"
84"	5	18"	4	24"
96"	6	17"	5	21"
108"	6	19"	5	24"
120"	7	18"	6	21"
132"	8	17"	6	24"
144"	8	19"	7	22"

NOTE: NUMBER OF EXPANSION BOLTS IN TABLE BASED ON NON-SKEWED CULVERTS.
* USE MINIMUM 1 (ONE) EXPANSION BOLT IN EACH CORNER.

STATION	SECTION TYPE	SKEW	EXISTING CULVERT		PROPOSED CULVERT		COLLAR		REINFORCEMENT BARS						EXPANSION BOLTS 3/4"	CLASS S1 CONCRETE COLLAR YD ³				
			SIZE	I.D.	O.D.	HEIGHT	WIDTH	S BAR		U BAR				LB						
									NO.	SIZE	LENGTH	NO.	SIZE	A	B	LAP	LENGTH	LB	EACH	
773+49.00	B	16	9'X4'	24	30	42	42	8	#5	20	4	#5	36	27	18	90	45.3	4	0.44	
773+49.00	B	16	9'X4'	24	30	42	42	8	#5	20	4	#5	36	27	18	90	45.3	4	0.44	
913+00.00	B	20	8'X4'	24	30	42	42	8	#5	20	4	#5	36	27	18	90	31.3	4	0.27	
913+00.00	B	20	8'X4'	24	30	42	42	8	#5	20	4	#5	36	27	18	90	31.3	4	0.27	
913+00.00	B	20	8'X4'	24	30	42	42	8	#5	20	4	#5	36	27	18	90	31.3	4	0.27	
913+00.00	B	20	8'X4'	24	30	42	42	8	#5	20	4	#5	36	27	18	90	31.3	4	0.27	
947+62.50	C	N/A	66" RCP	66"	79"	9"	9"				4	#5	85"	52"	18"	189"	65.8	0	0.87	
947+62.50	C	N/A	66" RCP	66"	79"	9"	9"				4	#5	85"	52"	18"	189"	65.8	0	0.87	
947+62.50	C	N/A	66" RCP	66"	79"	9"	9"				4	#5	85"	52"	18"	189"	65.8	0	0.87	
947+62.50	C	N/A	66" RCP	66"	79"	9"	9"				4	#5	85"	52"	18"	189"	65.8	0	0.87	
																	TOTAL	479.0	24	5.45
																	USE	480	24	5.5

DISTRICT 6
CONCRETE COLLAR AND CULVERT EXTENSION DETAILS

MODEL: Pipe Collar Detail (Sheet)
FILE NAME: c:\pwworking\dstudio\sydnieschwarz\illinois\p0824879\0672304-shr-details.dgn

USER NAME = Sydnie.Schwarz	DESIGNED -	REVISED -
PLOT SCALE = 0.16666833' / in.	DRAWN -	REVISED -
PLOT DATE = 1/25/2024	CHECKED -	REVISED -
	DATE -	REVISED -

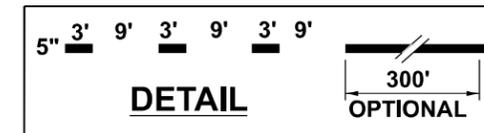
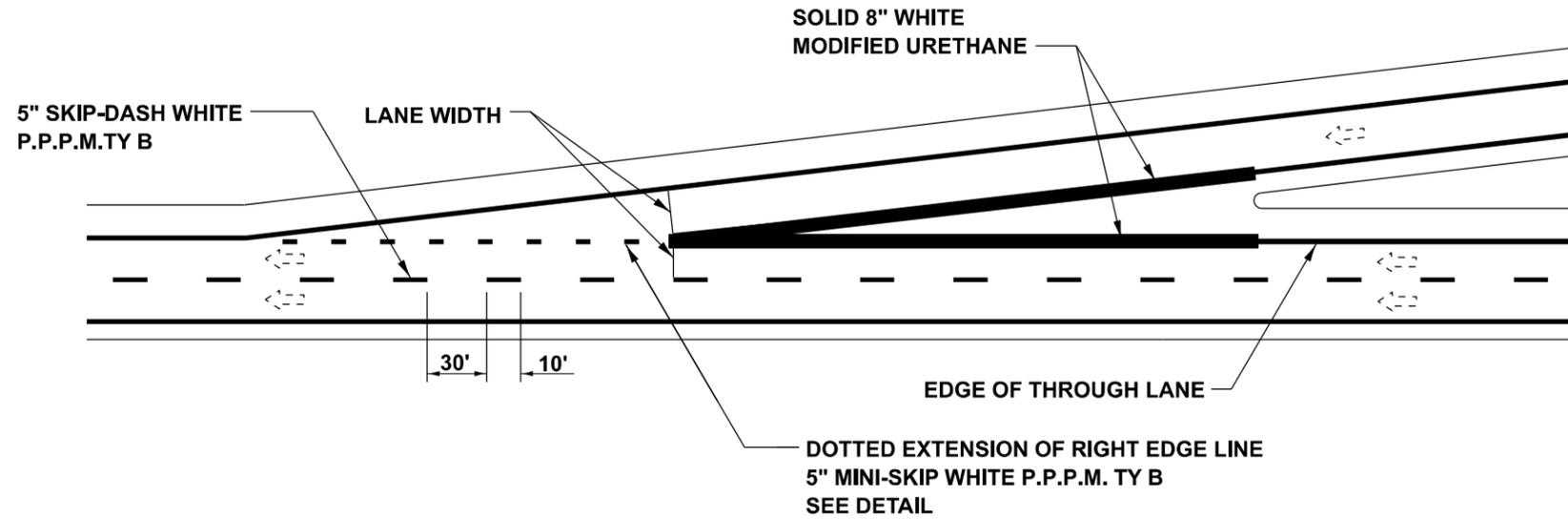
STATE OF ILLINOIS
DEPARTMENT OF TRANSPORTATION

PIPE COLLAR DETAIL

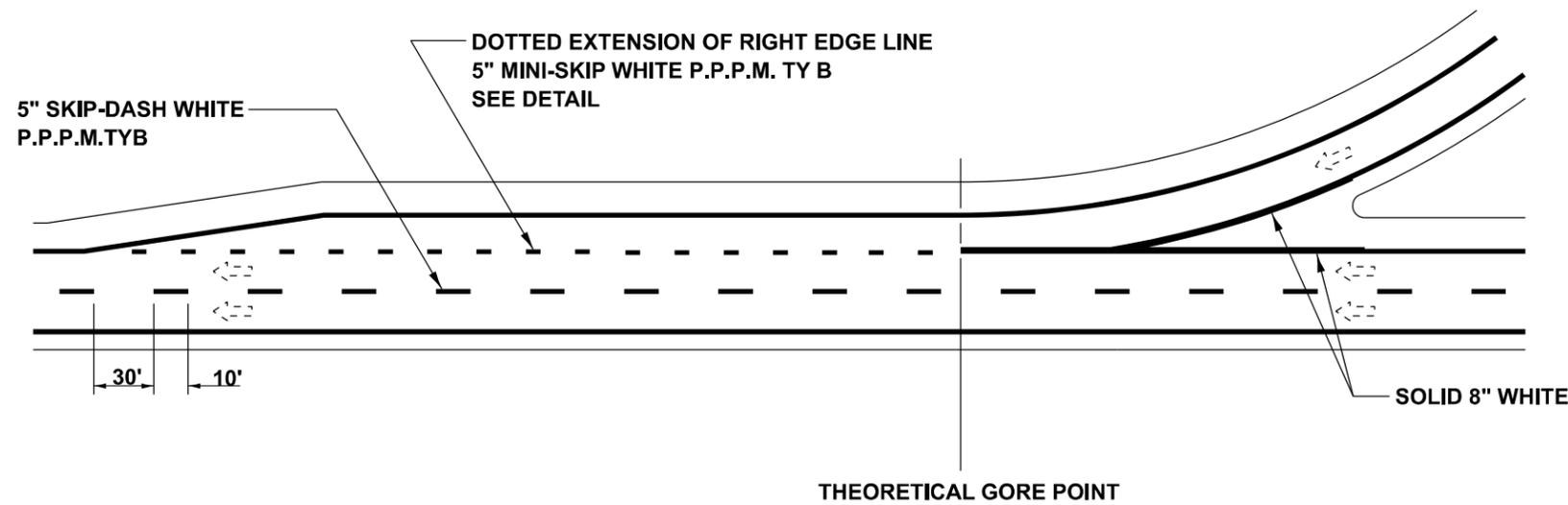
SCALE: N/A SHEET 4 OF 8 SHEETS STA. TO STA.

F.A.I RTE.	SECTION	COUNTY	TOTAL SHEETS	SHEET NO.
55	68-5(RS-4, CLV)	MONTGOMERY	34	30
CONTRACT NO. 72304				
ILLINOIS FED. AID PROJECT				

A - TAPERED ACCELERATION LANE



B - PARALLEL ACCELERATION LANE



ENTRANCE RAMP MARKINGS ENTRANCE RAMP MARKINGS - FREEWAY & EXPRESSWAY

MODEL: Pavement Marking Details-1 (Sheet)
FILE NAME: c:\p\work\wv\015\sydnie.schwarz@illinois.gov\0824879\0672304-ehd-details.dgn

USER NAME = Sydnie.Schwarz	DESIGNED -	REVISED -
	DRAWN -	REVISED -
PLOT SCALE = 0.16666833' / in.	CHECKED -	REVISED -
PLOT DATE = 1/25/2024	DATE -	REVISED -

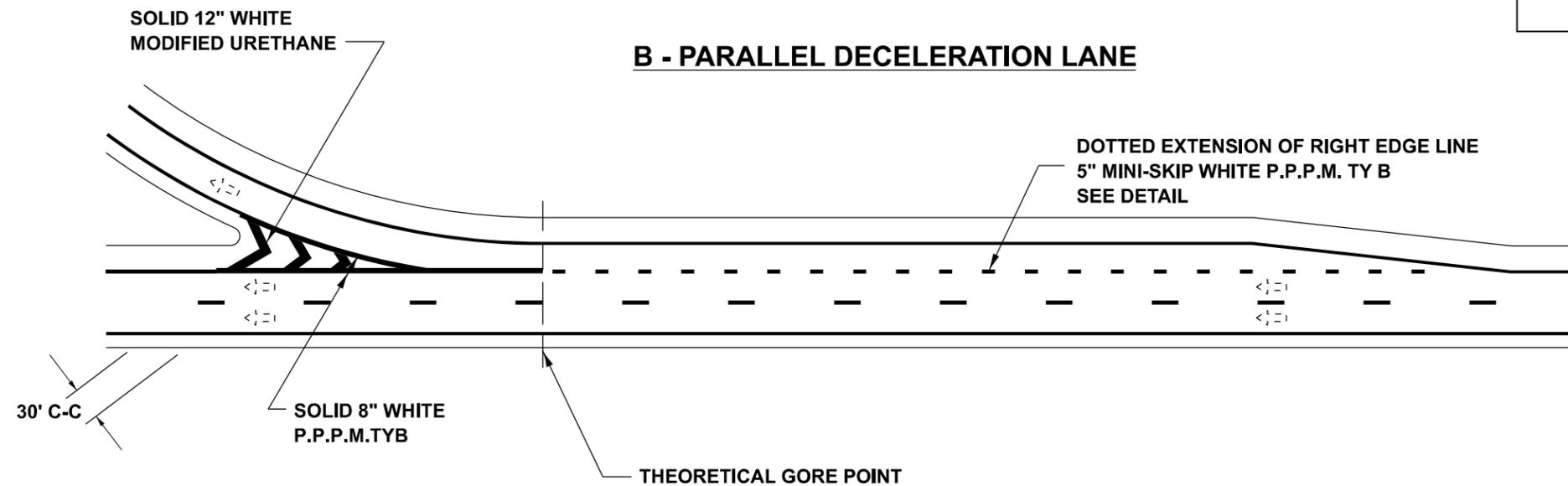
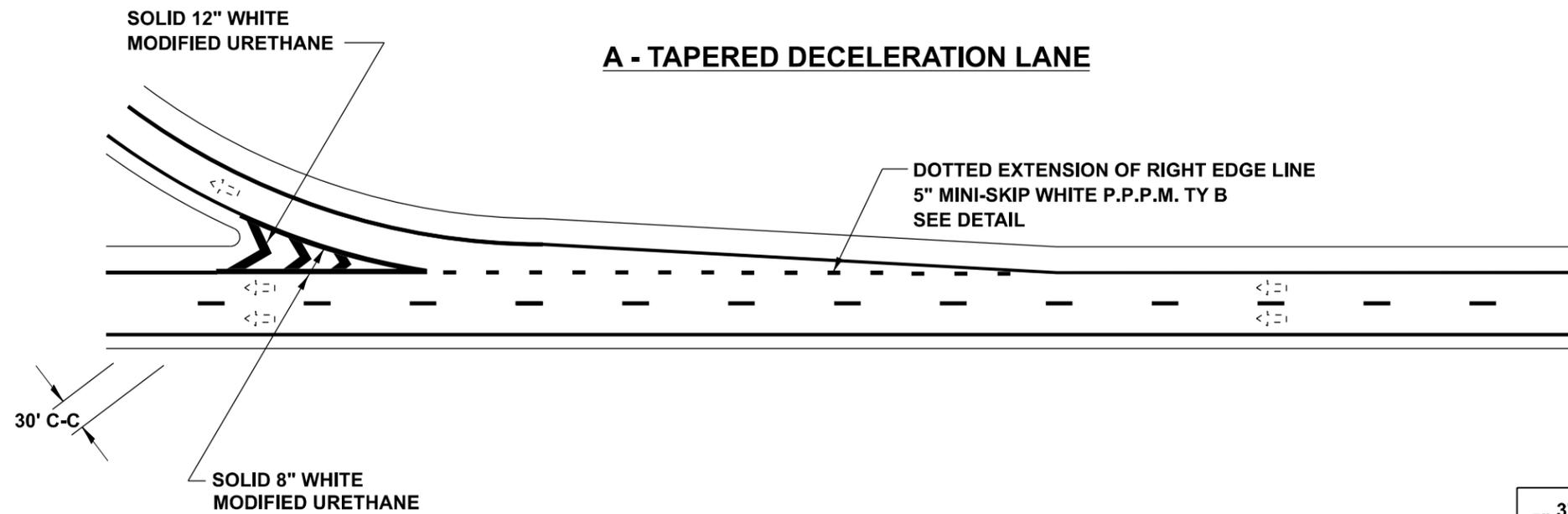
STATE OF ILLINOIS
DEPARTMENT OF TRANSPORTATION

PAVEMENT MARKING DETAIL
ENTRANCE RAMP MARKINGS

SCALE: 1"=20' SHEET 5 OF 8 SHEETS STA. TO STA.

F.A.I. RTE.	SECTION	COUNTY	TOTAL SHEETS	SHEET NO.
55	68-5(RS-4, CLV)	MONTGOMERY	34	31
CONTRACT NO. 72304				

55, I-55 68-5(RS-4), CLV



EXIT RAMP MARKINGS - FREEWAY & EXPRESSWAY

MODEL: Pavement Marking Details-2 (Sheet)
 FILE NAME: c:\p\work\wv\015\sydnie.schwarz@illinois.gov\0824879\0672304-ehd-details.dgn

USER NAME = Sydnie.Schwarz	DESIGNED -	REVISED -
	DRAWN -	REVISED -
PLOT SCALE = 0.16666633' / in.	CHECKED -	REVISED -
PLOT DATE = 1/25/2024	DATE -	REVISED -

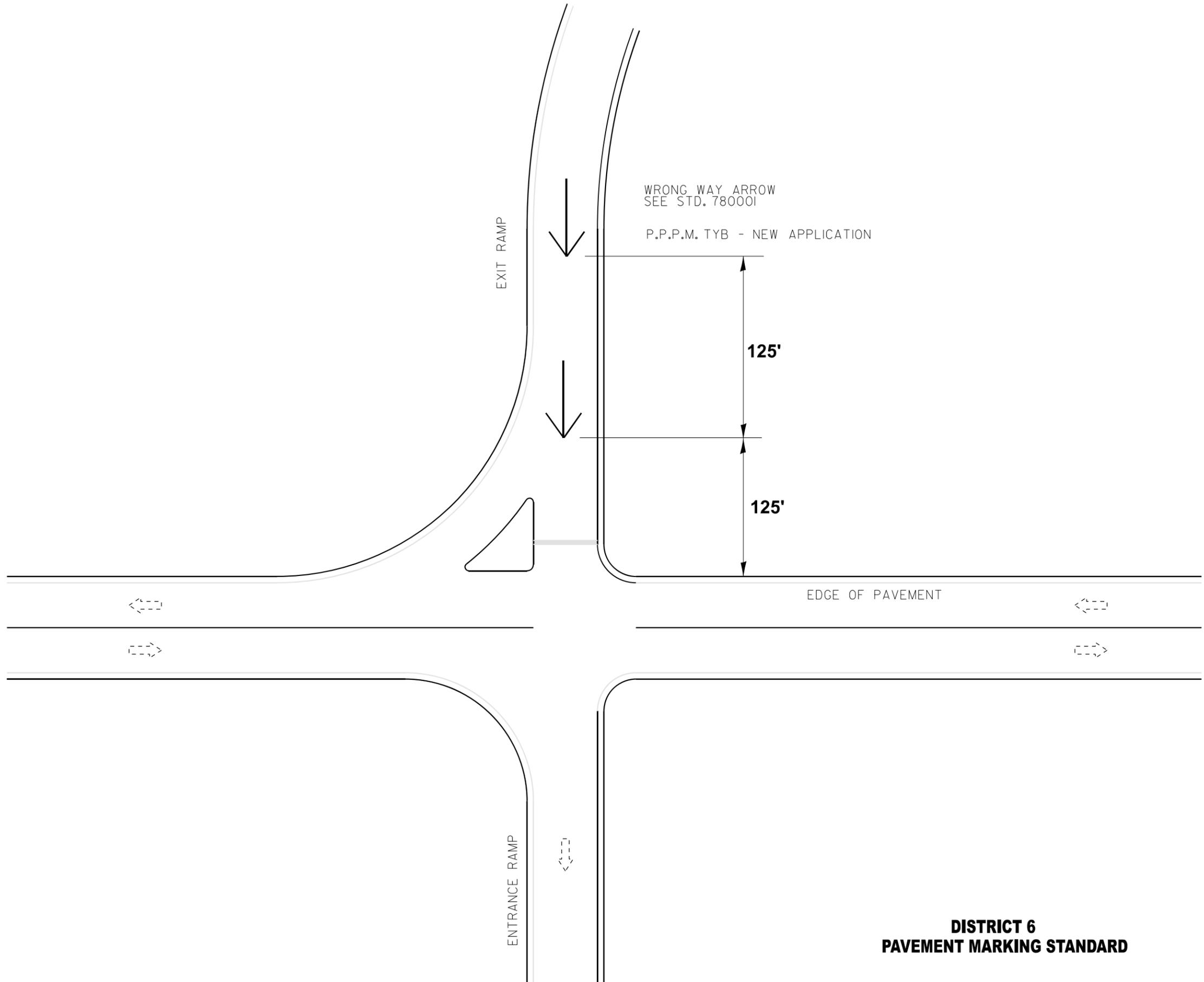
**STATE OF ILLINOIS
 DEPARTMENT OF TRANSPORTATION**

**PAVEMENT MARKING DETAIL
 EXIT RAMP MARKINGS**

SCALE: 1"=20' SHEET 6 OF 8 SHEETS STA. TO STA.

F.A.I RTE.	SECTION	COUNTY	TOTAL SHEETS	SHEET NO.
55	68-5(RS-4, CLV)	MONTGOMERY	34	32
CONTRACT NO. 72304				
ILLINOIS FED. AID PROJECT				

55, I-55 68-5(RS-4), CLV

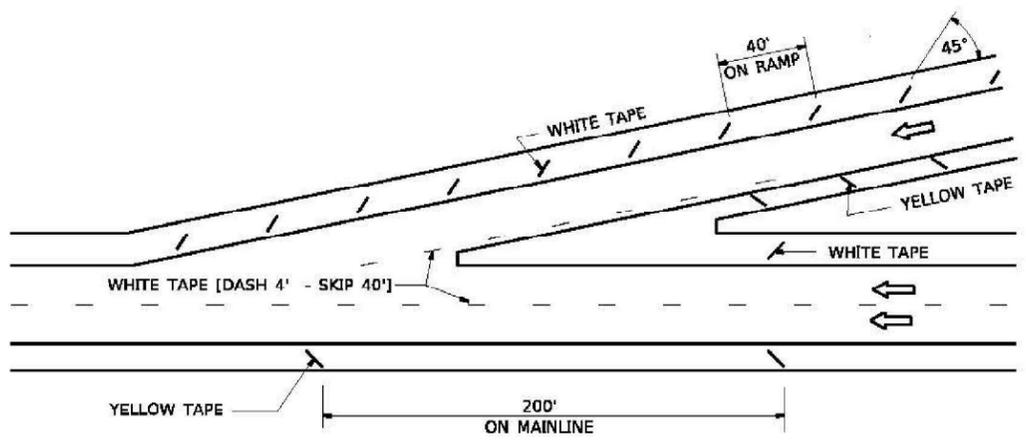
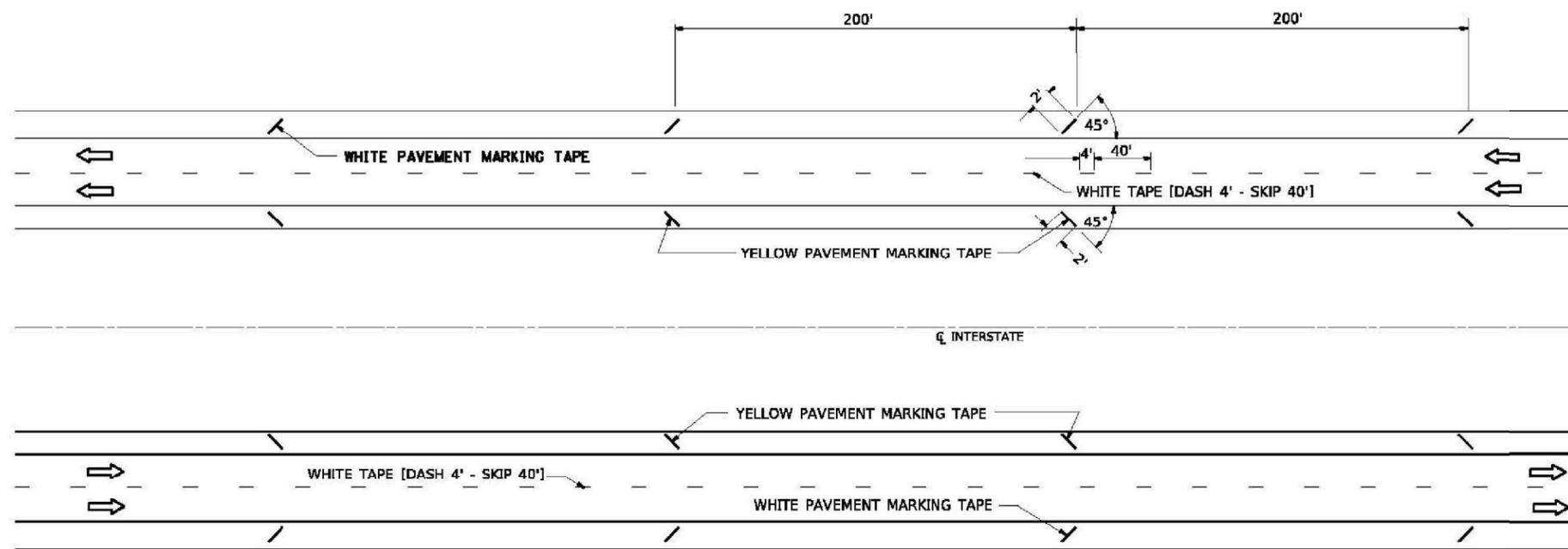


MODEL: Pavement Marking Details-3 (Sheet)
 FILE NAME: c:\p\work\wv\015\sydnie.schwarz@illinois.gov\0824879\0672304-ehh-details.dgn

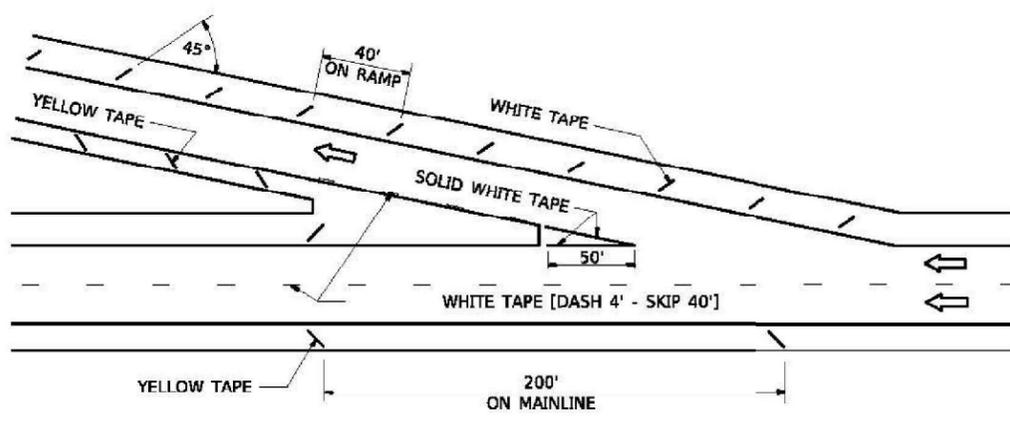
**DISTRICT 6
 PAVEMENT MARKING STANDARD**

USER NAME = Sydnie.Schwarz PLOT SCALE = 0.16666633' / in. PLOT DATE = 1/25/2024	DESIGNED - DRAWN -	REVISED - REVISED -	STATE OF ILLINOIS DEPARTMENT OF TRANSPORTATION	PAVEMENT MARKING DETAIL WRONG WAY ARROW MARKINGS			F.A.I RTE. 55	SECTION 68-5(RS-4, CLV)	COUNTY MONTGOMERY	TOTAL SHEETS 34	SHEET NO. 33
	CHECKED - DATE -	REVISED - REVISED -		SCALE: 1"=20' SHEET 7 OF 8 SHEETS STA. TO STA.	ILLINOIS FED. AID PROJECT			CONTRACT NO. 72304		55, I-55 68-5(RS-4), CLV	

TYPICAL SHORT TERM PAVEMENT MARKING FOR INTERSTATE ROUTES



TYPICAL ENTRANCE TERMINAL



TYPICAL EXIT TERMINAL

MODEL: Temporary Pavement Marking Detail (Sheet)
FILE NAME: c:\p\work\72304\sydnieschwarz@illinois.gov\0824879\0672304-4sh-terminals.dgn

USER NAME = Sydney.Schwarz	DESIGNED -	REVISED -
DRAWN -	REVISOR -	
PLOT SCALE = 0.16666833' / in.	CHECKED -	REVISOR -
PLOT DATE = 1/25/2024	DATE -	REVISOR -

STATE OF ILLINOIS
DEPARTMENT OF TRANSPORTATION

TEMPORARY PAVEMENT MARKING DETAIL			
ENTRANCE AND EXIT MARKINGS			
SCALE: N/A	SHEET 8	OF 8 SHEETS	STA. TO STA.

F.A.I. RTE.	SECTION	COUNTY	TOTAL SHEETS	SHEET NO.
55	68-5(RS-4, CLV)	MONTGOMERY	34	34
CONTRACT NO. 72304				
ILLINOIS FED. AID PROJECT				