

STATE OF ILLINOIS
DEPARTMENT OF TRANSPORTATION

F.A.S. RTE.	SECTION	COUNTY	TOTAL SHEETS	SHEET NO.
1842	106RS-4	ST. CLAIR	6	1
		ILLINOIS	CONTRACT NO. 76R37	

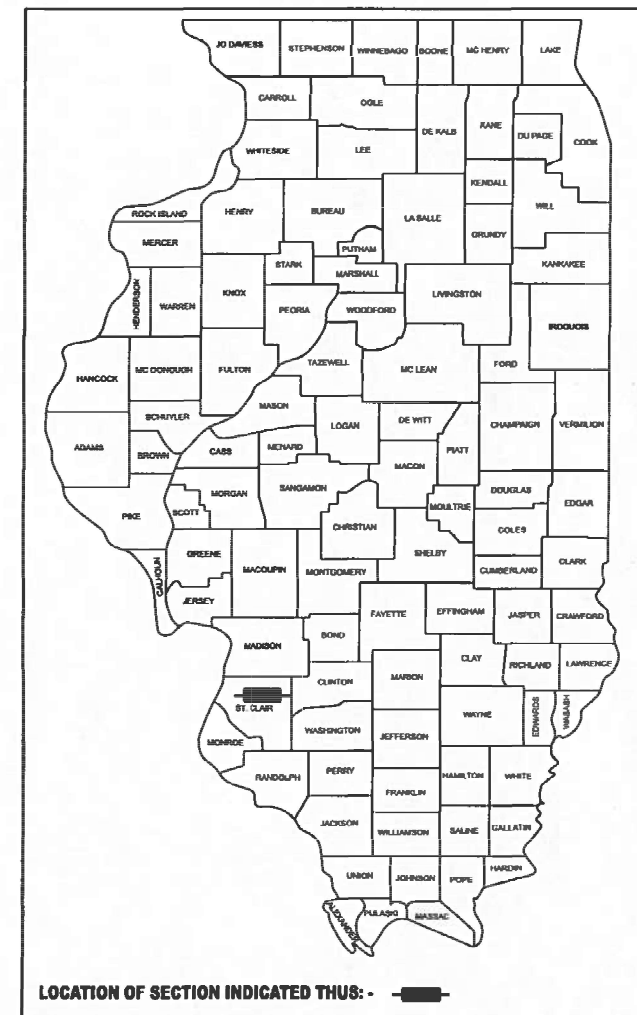
FOR INDEX OF SHEETS, SEE SHEET NO. 2

PROPOSED
HIGHWAY PLANS

FAS ROUTE 1842 (IL 156)
SECTION 106RS-4
PROJECT STP-V67J(417)
CHIP SEAL
ST. CLAIR COUNTY

C-98-091-22

D-98-059-22

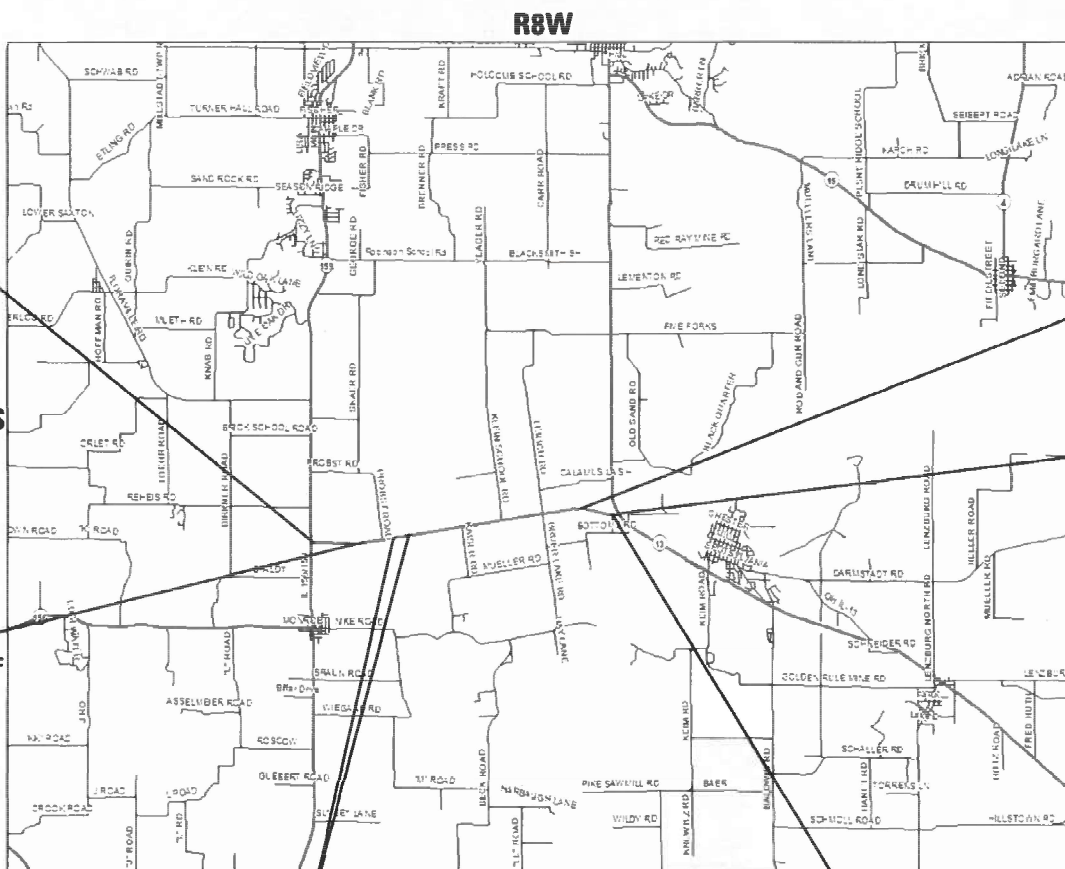


BEGIN PROJECT
IL 159
LAT: 38.322896
LONG: -89.995043
STA. 601 + 81

STATION EQUATION
P.T. STA. 827 + 79.1 BK. =
STA. 827 + 88.3 AH.

END PROJECT
IL 13
LAT: 38.328609
LONG: -89.906770
STA. 97 + 00

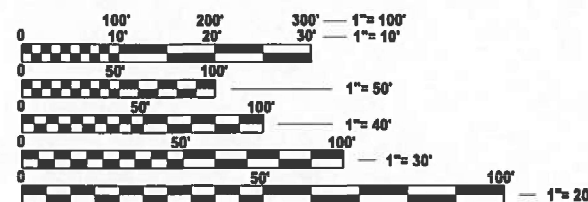
STATION EQUATION
P.T. STA. 644 + 71.2 BK =
STA. 644 + 73.8 AH.



BRIDGE OMISSION
STA. 667 + 92 TO
STA. 671 + 25

GROSS LENGTH = 25308 FT. = 4.79 MILE
BRIDGE OMISSION = 334 FT. = 0.06 MILE
NET LENGTH = 24971 FT. = 4.73 MILE

STATION EQUATION
P.C. STA. 845 + 11.5 BK. =
P.C. STA. 87 + 25.5 AH.



FULL SIZE PLANS HAVE BEEN PREPARED USING STANDARD ENGINEERING SCALES. REDUCED SIZED PLANS WILL NOT CONFORM TO STANDARD SCALES. IN MAKING MEASUREMENTS ON REDUCED PLANS, THE ABOVE SCALES MAY BE USED.

J.U.L.I.E.
JOINT UTILITY LOCATION INFORMATION FOR EXCAVATION
1-800-892-0123
OR 811

PROJECT ENGINEER: CHERYL KEPLAR
PROJECT MANAGER: JOHN GREEN

CONTRACT NO. 76R37

STATE OF ILLINOIS
DEPARTMENT OF TRANSPORTATION

SUBMITTED January 31, 2024
Scott L. Brown
REGIONAL ENGINEER

March 22, 2024 Scott A. Etk
ENGINEER OF DESIGN AND ENVIRONMENT

March 22, 2024 Steph M. Janda
DIRECTOR OF HIGHWAYS PROJECT IMPLEMENTATION

PRINTED BY THE AUTHORITY
OF THE STATE OF ILLINOIS

INDEX OF SHEETS

- 1. COVER SHEET
- 2. INDEX OF SHEETS, HIGHWAY STANDARDS, GENERAL NOTES, ADT, AND COMMITMENTS
- 3. SUMMARY OF QUANTITIES
- 4-5. TYPICAL SECTIONS
- 6. SCHEDULE OF QUANTITIES

HIGHWAY STANDARD

000001-08	STANDARD SYMBOLS ABBREVIATIONS & PATTERNS
001006	DECIMAL OF INCH & FOOT
701301-04	LANE CLOSURE 2 LANE 2 WAY SHORT TIME OPERATIONS
701306-04	LANE CLOSURE, 2L, 2W, SLOW MOVING OPERATIONS DAY ONLY FOR SPEEDS> 45 MPH
701311-03	LANE CLOSURE, 2L, 2W, MOVING OPERATIONS - DAY ONLY
701901-09	TRAFFIC CONTROL DEVICES
780001-05	TYPICAL PAVEMENT MARKINGS
781001-04	TYPICAL APPLICATION RAISED REFLECTIVE PAVEMENT MARKERS

ADT

IL 156 FROM IL 159 TO IL 13
 2023 ADT = 2850 (ACTUAL)
 2024 ADT = 2900 (ESTIMATED)
 2044 ADT = 3400 (ESTIMATED)
 SU = 8.8% MU = 6.0%

COMMITMENTS

NO COMMITMENTS

GENERAL NOTES

1. THE FOLLOWING UTILITIES KNOWN TO HAVE FACILITIES WITHIN THE PROJECT AREA ARE AS FOLLOWS:

 AMEREN ILLINOIS

 AT&T ILLINOIS

 CLEARWAVE FIBER LLC

 FRONTIER COMMUNICATIONS

 FSH WATER COMMISSION

 HARRISONVILLE TELEPHONE COMPANY

 MEDIACOM

 MONROE COUNTY ELECTRIC CO-OPERATIVE, INC.

 NEWWAVE COMMUNICATIONS

 WINDSTREAM KDL, INC.
2. THE RESIDENT ENGINEER SHALL VERIFY THE EXISTENCE OF HIGHWAY LIGHTING AND/OR INTELLIGENT TRANSPORTATIONS SYSTEMS (I.T.S.) UTILITIES WITHIN THE PROJECT LIMITS. IF HIGHWAY LIGHTING AND/OR I.T.S. EXISTS WITHIN THE PROJECT LIMITS, AND IF THESE ITEMS REQUIRE LOCATING, THE CONTRACTOR SHALL BE DIRECTED TO DO SO ACCORDING TO SECTION 803 OF THE STANDARD SPECIFICATIONS. THIS WORK SHALL BE PAID FOR ACCORDING TO ARTICLE 109.04 OF THE STANDARD SPECIFICATIONS.
3. NO SURVEY WAS PERFORMED FOR THIS PROJECT AND THE PLANS WERE CREATED USING MICROFILM AND FIELD MEASUREMENTS.
4. THE PROPOSED PAVEMENT MARKING SHALL MATCH THE LOCATIONS OF THE EXISTING PAVEMENT MARKING, AS DIRECTED BY THE ENGINEER.
5. ALL TURF AREA DISTURBED BY THE CONTRACTOR SHALL BE SEEDED WITH THE APPROPRIATE EROSION CONTROL AS DIRECTED BY THE ENGINEER AT THE CONTRACTOR'S EXPENSE.
6. THE DESIGNATED APPLICATION RATE FOR THE FOG SEAL IS 0.04LB/SQ FT.
7. THE CONTRACTOR SHALL USE CA-16 FOR THE SEAL AGGREGATE AND COVER AGGREGATE.
8. THE DEPARTMENT STRONGLY ENCOURAGES THE PRIME CONTRACTOR AND THEIR APPROVED SUB-CONTRACTORS TO HIRE MINORITY, WOMEN, AND DISADVANTAGED INDIVIDUALS FROM ITS FEDERALLY FUNDED HIGHWAY CONSTRUCTION CAREERS TRAINING PROGRAM (HCCTP) TO HELP MEET WORKFORCE AND TRAINEE GOALS. THIS PROGRAM IS TRAINING MINORITIES, WOMEN, AND DISADVANTAGED INDIVIDUALS IN HIGHWAY CONSTRUCTION RELATED SKILLS, E.G., MATH FOR THE TRADES, JOB READINESS, TECHNICAL SKILLS COURSEWORK (CARPENTRY, CONCRETE FLATWORK, BLUEPRINT READING, SITE PLANS, SITE WORK, TOOLS USE, ETC.) AND OSHA 10 HOUR CERTIFICATION, TO PREPARE THEM FOR A CAREER IN THE HIGHWAY CONSTRUCTION TRADES. GRADUATES ARE WELL-TRAINED AND READY TO BECOME PRODUCTIVE ENTRY-LEVEL CONSTRUCTION WORKERS. CONTACT THE DISTRICT 8 EEO OFFICE AT 618-346-3360 AND/OR THE HCCTP COORDINATOR AT 618-874-6528 TO LEARN MORE ABOUT THE PROGRAM AND FOR ASSISTANCE IN MEETING WORKFORCE AND TRAINEE GOALS.

MODEL: Geomet Notes (Sheet)
 FILE NAME: clow_work\p\idm\john.p.green@illinois.gov\0563839\0876F37-ahf-pennote.dgn

STATE OF ILLINOIS DEPARTMENT OF TRANSPORTATION				INDEX OF SHEETS, HIGHWAY STANDARDS GENERAL NOTES, ADT, AND COMMITMENTS				F.A.S. RTE 1842	SECTION 106RS-4	COUNTY ST. CLAIR	TOTAL SHEETS 6	SHEET NO. 2
				SCALE: SHEET OF SHEETS STA. TO STA.				CONTRACT NO. 76R37				
ILLINOIS FED. AID PROJECT												

80% FED
20% STATE

CONSTR. CODE

CODE NO.	ITEM	UNIT	TOTAL QUANTITY	ROADWAY	
				0005	RURAL
67100100	MOBILIZATION	L SUM	1	1	
70100460	TRAFFIC CONTROL AND PROTECTION, STANDARD 701306	L SUM	1	1	
70300100	SHORT TERM PAVEMENT MARKING	FOOT	2497	2497	
70300150	SHORT TERM PAVEMENT MARKING REMOVAL	SQ FT	832	832	
70300241	TEMPORARY PAVEMENT MARKING - LINE 6" - PAINT	FOOT	61612	61612	
* 78001130	PAINT PAVEMENT MARKING - LINE 6"	FOOT	61612	61612	
78100200	TEMPORARY RAISED REFLECTIVE PAVEMENT MARKER	EACH	312	312	
78300200	RAISED REFLECTIVE PAVEMENT MARKER REMOVAL	EACH	312	312	
78300202	PAVEMENT MARKING REMOVAL - WATER BLASTING	SQ FT	20537	20537	
X1500005	BITUMINOUS SURFACE TREATMENT, A2	SQ YD	72141	72141	
X4060107	BITUMINOUS MATERIALS (FOG SEAL)	POUND	25971	25971	

*

* SPECIALTY ITEM

MODEL: SOQ [Sheet]
FILE NAME: c:\pwwork\pwwork\john.p.green@illinois.gov\d0953391d876r37-shi-SOQ.dgn

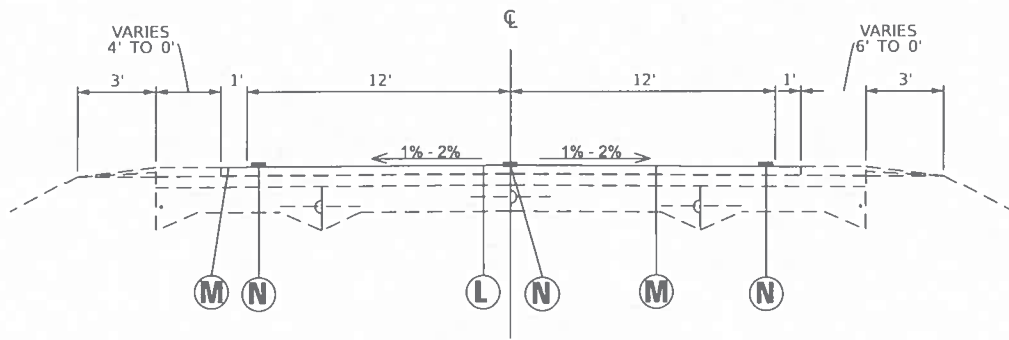
USER NAME = John.P.Green	DESIGNED -	REVISED -
	DRAWN -	REVISED -
PLOT SCALE = 0.18666833' / in.	CHECKED -	REVISED -
PLOT DATE = 1/30/2024	DATE -	REVISED -

STATE OF ILLINOIS
DEPARTMENT OF TRANSPORTATION

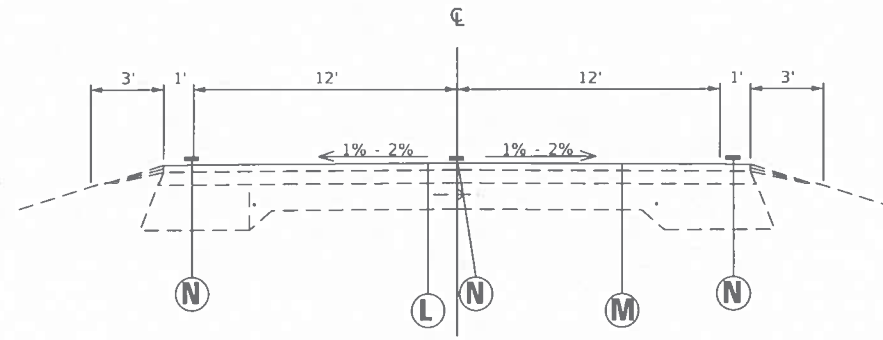
SUMMARY OF QUANTITIES

SCALE: SHEET OF SHEETS STA. TO STA.

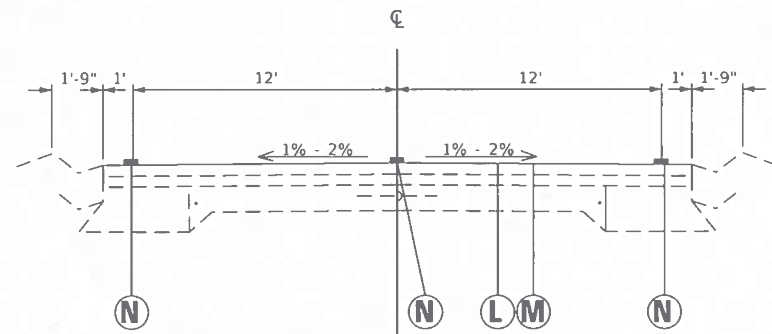
F.A.S. RTE.	SECTION	COUNTY	TOTAL SHEETS	SHEET NO.
1842	106RS-4	ST. CLAIR	6	3
CONTRACT NO. 76R37				
ILLINOIS FED. AID PROJECT				



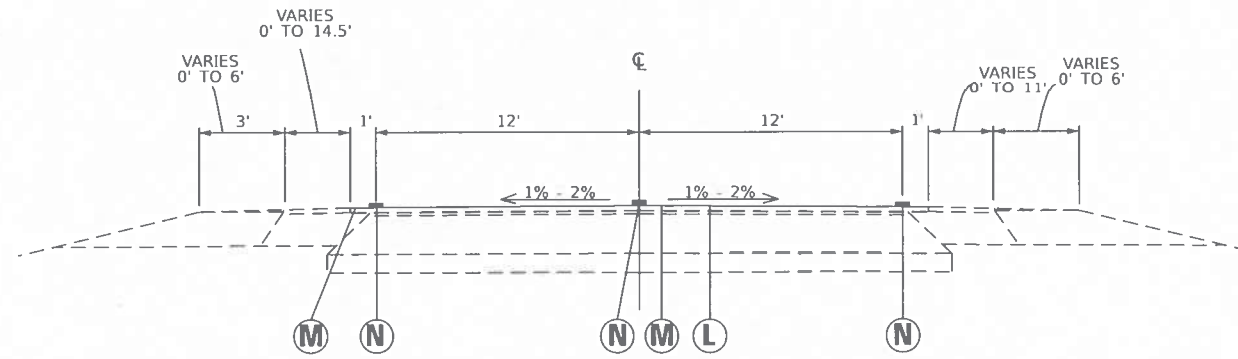
PROPOSED IL ROUTE 156
STA. 601+81 TO STA. 603+15



PROPOSED IL ROUTE 156
STA. 603+15 TO STA. 667+92
STA. 667+92 TO STA. 671+25 (BRIDGE OMISSION)
STA. 671+25 TO STA. 822+20
STA. 830+40 TO STA. 845+12*



PROPOSED IL ROUTE 156
STA. 822+20 TO STA. 830+40



PROPOSED IL ROUTE 156
*STA. 845+12 BK = 87+26 AH
STA. 87+26 TO STA. 97+00

LEGEND:

- (A) EXISTING PORTLAND CEMENT CONCRETE PAVEMENT - 9" - 6" - 9"
- (B) EXISTING HMA RESURFACING - 4 1/2"
- (C) EXISTING SUB-BASE GRANULAR MATERIAL - 4"
- (D) EXISTING GUTTER TYPE A
- (E) EXISTING HOT-MIX ASPHALT SHOULDER - 1 3/4"
- (F) EXISTING AGGREGATE WEDGE SHOULDER, TYPE B
- (G) EXISTING BASE COURSE WIDENING - 9"
- (H) EXISTING BITUMINOUS BASE COURSE - 8"
- (I) EXISTING BITUMINOUS MATERIALS (PRIME COAT)
- (J) EXISTING HOT-MIX ASPHALT SURFACE COURSE - 2 1/4"
- (K) EXISTING PAVEMENT MARKINGS - 6"
- (L) PROPOSED BITUMINOUS SURFACE TREATMENT, A2
- (M) PROPOSED FOG SEAL TREATMENT
- (N) PROPOSED PAVEMENT MARKING

MODEL: Typical Sheet 2 [Sheet]
FILE NAME: c:\pwworking\john.p.green@illinois.gov\0563839\1842\106RS-4\1842-106RS-4-TYPICAL.dgn

USER NAME = John.P.Green	DESIGNED -	REVISED -
	DRAWN -	REVISED -
PLOT SCALE = 0.16666633 / in.	CHECKED -	REVISED -
PLOT DATE = 1/31/2024	DATE -	REVISED -

**STATE OF ILLINOIS
DEPARTMENT OF TRANSPORTATION**

TYPICAL SECTION

SCALE: SHEET OF SHEETS STA. TO STA.

F.A.S. RTE.	SECTION	COUNTY	TOTAL SHEETS	SHEET NO.
1842	106RS-4	ST. CLAIR	6	5
CONTRACT NO. 76R37				
ILLINOIS FED. AID PROJECT				

PAVEMENT MARKING SCHEDULE

LOCATION	PAINT PAVEMENT MARKING - LINE 6"				SHORT TERM PAVEMENT MARKING (FT)	SHORT TERM PAVEMENT MARKING REMOVAL (SQ FT)	RAISED REFLECTIVE PAVEMENT MARKERS REMOVAL (EACH)	TEMPORARY RAISED REFLECTIVE PAVEMENT MARKERS (EACH)	TEMPORARY PAVEMENT MARKING - LINE 6" - PAINT (FT)	PAVEMENT MARKING REMOVAL - WATER BLASTING (SQ FT)
	SKIP-DASH YELLOW (FT)	SOLID YELLOW (FT)		SOLID WHITE (FT)						
		NO PASSING ZONE								
	CENTERLINE	LT	RT	EDGELINES						
STA 601+81 TO 658+80	1425	1356	1696	11398	570	190	71	71	15875	5292
STA 658+80 TO 667+92	228			1824	91	30	11	11	2052	684
BRIDGE OMISSION										
STA 667+92 TO 671+26										
STA 671+26 TO 725+31	1351			10810	541	180	68	68	12161	4054
STA 725+31 TO 758+72	835			6682	334	111	42	42	7517	2506
STA 758+72 TO 792+18	837			6692	335	112	42	42	7529	2510
STA 792+18 TO 845+11.5	1324	1161	1214	10588	529	176	66	66	14287	4762
STATION EQUATION										
STA 845+11.5 BK = 87+25.5 AH										
STA 87+25.5 TO 92+83	139			1114	56	19	7	7	1253	418
STA 92+83 TO 97+00	104			834	42	14	5	5	938	313
SUB-TOTALS	6243	2517	2910	49942						
TOTAL	61,612				2497	832	312	312	61612	20537

RESURFACING SCHEDULE

LOCATION	BITUMINOUS SURFACE TREATMENT, A2 (SQ YD)	BITUMINOUS FOG SEAL (LBS)
STA 601+81 TO 667+92	19098	6875
BRIDGE OMISSION		
STA 667+92 TO 671+25		
STA 671+25 TO 845+11.5	50229	18082
STATION EQUATION		
STA 845+11.5 BK = 87+25.5 AH		
STA 87+25.5 TO 97+00	2,814	1013
COLUMN TOTALS	72,141	25971

REV. - MS

MODEL: Schedule of Quantities [Sheet]
FILE NAME: E:\pww\pww\john.p.green@illinois.gov\d0953939\0876R37_sht-ahschedule.dgn

USER NAME = John.P.Green	DESIGNED -	REVISED -	STATE OF ILLINOIS DEPARTMENT OF TRANSPORTATION	SCHEDULE OF QUANTITIES				F.A.S. RTE.	SECTION	COUNTY	TOTAL SHEETS	SHEET NO.
PLOT SCALE = 0.18888833 1/in	DRAWN -	REVISED -		SCALE:	SHEET	OF	SHEETS	STA.	TO STA.	ST. CLAIR	6	6
PLOT DATE = 1/30/2024	CHECKED -	REVISED -		CONTRACT NO. 76R37								
	DATE -	REVISED -		ILLINOIS FED. AID PROJECT								