

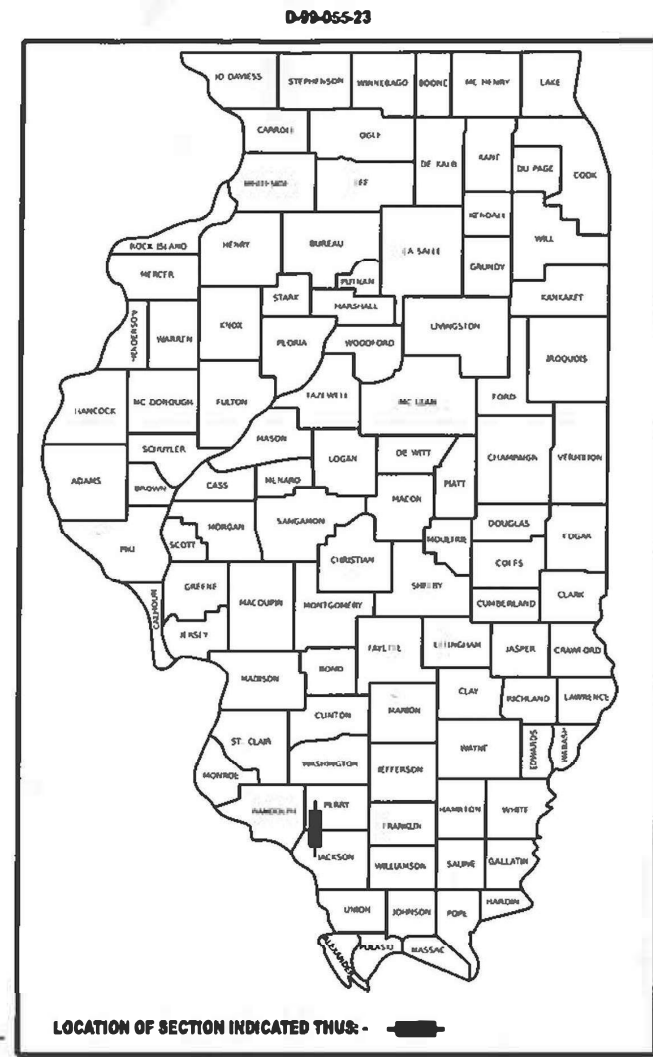
STATE OF ILLINOIS
DEPARTMENT OF TRANSPORTATION

F.A.P. RTE.	SECTION	TAL SHEET ETS NO
686	(112,113,114)RS-3	PERRY/JACKSON 35 1
ILLINOIS		CONTRACT NO. 78A21

PROPOSED HIGHWAY PLANS

FAP 686 ROUTE (IL 4)
SECTION (112,113,114)RS-3
PROJECT: STP-HSIP-FG6J(862)
RESURFACING & SAFETY SHOULDERS
PERRY COUNTY & JACKSON COUNTY

C-99-073-23



FOR INDEX OF SHEETS, SEE SHEET NO. 3
FOR SUMMARY OF QUANTITIES, SEE SHEET NO. 5 - 7

TRAFFIC DATA

IL 4 PERRY COUNTY
2024 = 4,220 AADT WITH 14% TRUCKS

IL 4 JACKSON COUNTY
2024 = 4,380 AADT WITH 11% TRUCKS

TOWNSHIPS

CUTLER
WILLISVILLE
BRADLEY
ORA

STATION EQUATIONS

STA EQ 0+00.00 BK = STA. 0+00.00 AH
STA EQ 131+03.30 BK = STA. 131+67.30 AH
STA EQ 159+49.90 BK = STA. 159+55.50 AH
STA EQ 378+97.40 BK = STA. 378+98.20 AH
STA EQ 557+93.00 BK = STA. 558+00.00 AH

IMPROVEMENT BEGINS
STA -7+47

OMISSION
R.R. X-CROSS
STA 36+58 TO STA 36+67

IMPROVEMENT ENDS
STA 570+80
EXISTING BUTT JOINT

DESIGN DESIGNATION :

COORDINATE SYSTEM :EPSG: 102671
NAD 1983 STATE PLANE ILLINOIS WEST FIPS 1201 FEET

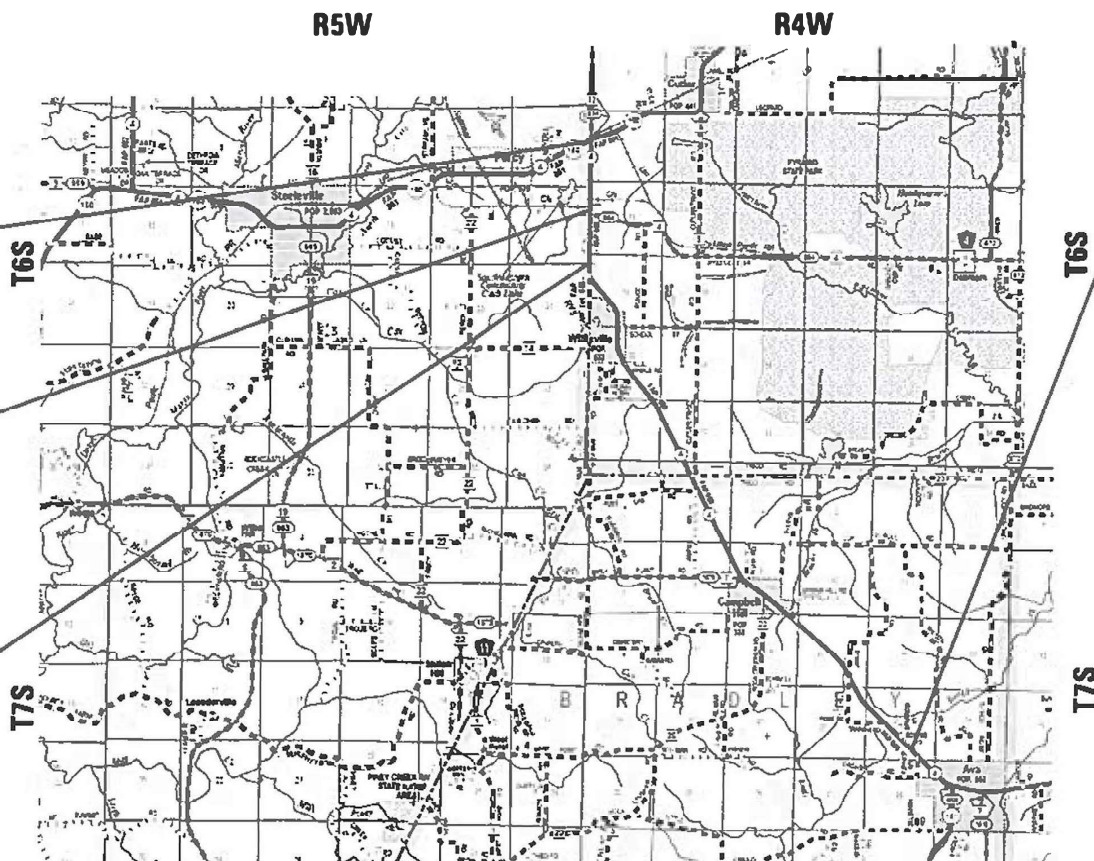
POSTED SPEED : 45 MPH & 55 MPH

OMISSION
SN 073-2006
STA 81+25.00 TO STA 81+94.00

J.V.L.I.E.
JOINT UTILITY LOCATION INFORMATION FOR EXCAVATION
1-800-892-0123
OR 811

PROJECT ENGINEER: SEAN GREENLEE
PROJECT DESIGNER: ROBERT HANDY

CONTRACT NO. 78A21



GROSS LENGTH = 57,749.60 FT. = 10.94 MILES
NET LENGTH = 57,671.60 FT. = 10.93 MILES

STATE OF ILLINOIS
DEPARTMENT OF TRANSPORTATION

SUBMITTED Jan 9 2024
Kirk H. Brown
REGION FIVE ENGINEER

March 22, 2024
Scott A. Ets
ENGINEER OF DESIGN AND ENVIRONMENT

March 22, 2024
Stephen M. Spina
DIRECTOR OF HIGHWAYS PROJECT IMPLEMENTATION

PRINTED BY THE AUTHORITY
OF THE STATE OF ILLINOIS

INDEX OF SHEETS

SHEET NO	DESCRIPTION
1	COVER SHEET
2	SIGNATURE SHEET
3	INDEX OF SHEETS, HIGHWAY STANDARDS, GENERAL NOTES, & MTD TABLE
4	MIX DESIGN
5-7	SUMMARY OF QUANTITIES
8-11	TYPICAL SECTIONS: IL 4
12	RESURFACING SCHEDULE
13-16	SHOULDER SCHEDULE
17-20	ENTRANCE SCHEDULE
21	SIDE ROAD SCHEDULE
22	GUARDRAIL SCHEDULE
23	PAVED DITCH CLEAN SCHEDULE
24	PAVEMENT PATCHING: NORTHBOUND PERRY COUNTY SCHEDULE
25	PAVEMENT PATCHING: SOUTHBOUND PERRY COUNTY SCHEDULE
26	PAVEMENT PATCHING: SOUTHBOUND JACKSON COUNTY SCHEDULE
27	PAVEMENT PATCHING: NORTHBOUND JACKSON COUNTY SCHEDULE PAVEMENT PATCHING TOTALS
28	RAISE REFLECTIVE PAVEMENT MARKERS SCHEDULE
29-30	PAVEMENT MARKING SCHEDULE
31	PAVEMENT CORE SUMMARY
32	PAVEMENT AREA DETAIL BEGINNING OF PROJECT LOCATION
33	SIDE ROAD & ENTRANCE DETAILS
34	BUTT JOINT / ROUGH GROOVED SURFACE DETAILS: ROUGH GROOVED SURFACE, BUTT JOINT DETAIL DETAILS: UNEVEN LANE SIGNAGE
35	DETAILS: CENTERLINE RUMBLE STRIP - 8" PAVEMENT TRANSITION DETAIL

HIGHWAY STANDARDS

000001-08_STANDARD SYMBOLS & ABBREVIATIONS-PATTERNS-001	642006-01_SHOULDER RUMBLE STRIP 8IN-240
001001-02_AREAS OF REINFORCING BARS	701001-02_OFFROAD-2L2W-15FT MIN FROM EOP
001006_DECIMAL OF INCH FOOT	701006-05_OFFROAD-2L2W-15FT TO EOP
406201-01_MAILBOX TURNOUT	701011-04_OFFROAD MOVING OP-2L2W-DAY ONLY
420001-10_PAVEMENT JOINTS	701201-05_ENCLOSURE 2L2W-DAY ONLY
442201-03_CLASSIC PATCHES	701301-04_ENCLOSURE 2L2W-SHORT TIME OP
606006-04_OUTLETS FOR CONCRETE-G-TYPE 6-24	701306-04_ENCLOSURE 2L2W-SLOW MOVE OP DAY ONLY 45 MPH OR MORE
606101-05_TYPE A GUT-IN/OUTL-ENTR	701311-03_ENCLOSURE 2L2W-MOVING OP DAY ONLY
606201-04_TYPE B GUT-IN/OUTL-ENTR	701326-04_ENCLOSURE 2L2W-PVMT WIDENING 45 MPH OR MORE
606401-02_PAVED DITCH	701336-07_ENCLOSURE 2L2W-WORK AREAS IN SERIES 45 MPH OR MORE
630001-13_STEEL PLATE BEAM GUARDRAIL	701701-10_URBAN ENCLOSURE MULTILIN INTERSECTION
630006-01_NON-LOCKED STEEL PLATE BEAM GUARDRAIL	701901-09_TRAFFIC CONTROL DEVICES
630201-07_PCC BITUMEN STEEL PLATE BEAM GUARDRAIL	725001-01_OBJECT AND TERMINAL MARKERS
630301-09_SHLD WIDEN FOR TYPE 1 GR DRAIL TERMS	780001-05_TYPICAL PVMT MARKINGS
631006-08_TRAFFIC ARTERM TYPE 1B	781001-04_TYPICAL APPRAISED REFLECTIVE PVMT MARKINGS
631032-10_TRAFFIC ARTERM TYPE 6A	782006-01_GUARDRAIL AND BARRIER WALL REFLECTOR MOUNTING DETAILS

GENERAL NOTES

FACTORS USED FOR ESTIMATING PLAN QUANTITIES ARE AS FOLLOWS AND SHALL NOT BE USED FOR THE BASIS OF FINAL QUANTITIES:

ALL HOT MIX ASPHALT 2.016 TONS/CU. YD.
ALL AGGREGATE 2.05 TONS/CU. YD.

THE QUANTITY OF SHORT TERM PAVEMENT MARKING SHOWN IN THE PLANS IS BASED ON ONE APPLICATION EACH FOR THE HMA SURFACE REMOVAL, BINDER COURSE, AND SURFACE COURSE

THE CONTRACTOR SHALL STAMP STATIONING IN THE PROPOSED HOT MIX ASPHALT SURFACE AT 300 FT INTERVALS ON ALTERNATING SIDES OF THE PAVEMENT AND AS DIRECTED BY THE ENGINEER. THE STATION SYMBOL STAMPS USED SHALL BE FURNISHED BY THE CONTRACTOR. THEY SHALL BE 5 1/2 IN. TALL, OF A DESIGN APPROVED BY THE ENGINEER, AND SHALL REMAIN THE PROPERTY OF THE CONTRACTOR.

HMA RESURFACING SHALL BE PLACED IN A SEQUENCE THAT WILL MINIMIZE THE TIME THE CENTERLINE EDGE IS EXPOSED TO TRAFFIC. WHEN AT THE END OF A DAY'S OPERATION THE EXPOSED CENTERLINE EDGE IS GREATER THAN 2,000 FT, THE CONTRACTOR SHALL BE REQUIRED TO PAVE IN THE ADJACENT LANE ON THE FOLLOWING WORK DAY. PRIOR TO WINTER SHUTDOWN, RESURFACING ON ADJACENT LANES IS TO BE BROUGHT UP TO THE SAME ELEVATION.

LONGITUDINAL JOINT SEALANT SHALL BE PLACED UNDER THE HMA SURFACE COURSE

VIBRATORY ROLLERS WILL NOT BE ALLOWED WITHIN THE CORPORATE / STATIONS LIMITS OF: AVA (STA 556+00 TO 570+80)

INCIDENTAL HOT-MIX ASPHALT SURFACING SHALL BE PAVED IN A SEPARATE OPERATION FROM THE MAINLINE PAVEMENT

THE EXCAVATED AGGREGATE / EARTH FOR THE PROPOSED SHOULDER SHALL NOT BE WASTED ON THE CONSTRUCTION SITE.

THERE ARE NO AVAILABLE WASTE SITES ON THE EXISTING RIGHT OF WAY WITHIN THE PROJECT LIMITS. DISPOSAL WILL BE THE RESPONSIBILITY OF THE CONTRACTOR AND MUST BE DISPOSED OF IN ACCORDANCE WITH ARTICLE 202.03 OF THE STANDARD SPECIFICATIONS.

COMMITMENTS: NONE

MTD CROSSING RESTRICTIONS TABLE

SN & CENTERLINE STATION ROUTE (IL 4)	EXISTING FILL HEIGHT OVER BOX CULVERT	THICKNESS OF EXISTING PAVEMENT OVER BOX CULVERT	MAXIMUM GROSS WEIGHT RESTRICTIONS	MTD CROSSING RESTRICTIONS
JACKSON COUNTY				
<u>CULVERTS</u>				
SN 039-7029 - STA 392+84	7.2	1.25	40	EMPTY
SN 039-7030 - STA 325+00	3.1	1.25	40	EMPTY
SN 039-7031 - STA 308+91	14.5	1.25	40	EMPTY
SN 039-7092 - STA 454+50	6.0	1.25	40	EMPTY
SN 039-7093 - STA 396+36	8.2	1.25	40	EMPTY
PERRY COUNTY				
<u>CULVERTS</u>				
SN 073-7036 - STA 238+00	4.5	1.25	40	EMPTY
SN 073-7037 - STA 141+20	1.0	1.25	40	EMPTY
SN 073-7038 - STA 67+40	1.0	1.25	40	EMPTY
SN 073-2006 - STA 81+60	3.0	1.25	40	EMPTY

REV. - MS

STATE OF ILLINOIS
DEPARTMENT OF TRANSPORTATION

INDEX, HIGHWAY STANDARDS,
GENERAL NOTES, AND MTD TABLE

SCALE: SHEET 1 OF 1 SHEETS STA. TO STA.

F.A.P. RTE.	SECTION	COUNTY	TOTAL SHEETS	SHEET NO.
686	(112,113,114)RS-3	PERRY/JACKSON	35	3
CONTRACT NO. 78A21				
ILLINOIS FED. AID PROJECT				

MODEL: Index-GenInfo (Sheet)
 FILE NAME: p:\projects\perry\78A21\CD\Drawings\CD\Drawings\0378A21-35B-Index-GenInfo.dgn

USER NAME = robert.handy	DESIGNED -	REVISED -
PLOT SCALE = 0.16666633 / in.	DRAWN -	REVISED -
PLOT DATE = 1/31/2024	CHECKED -	REVISED -
	DATE -	REVISED -

HMA MIXTURE REQUIREMENTS TABLES

The following HMA mixture requirements are applicable for this project

Location(s):	Hot-Mix Asphalt Surface Course & Incidental HMA
Mixture Use(s):	Hot-Mix Asphalt Surface Course, Mix D, N70
PG:	PG64-22
Design Air Voids:	4.0 %, 70 Gyration Design
Mixture Composition: (Gradation Mixture)	IL-9.5mm
Friction Aggregate:	D Surface
Mixture Weight:	112 lbs/Sq Yd/in
Quality Management Program:	PFP – Surface Course QC/QA - Incidental
Sublot Size:	Surface Course-1,000 tons-PFP Incidental - QCQA – TBD
Material Transfer Device	Yes – Surface Only

Location(s):	Hot-Mix Asphalt Binder
Mixture Use(s):	Hot-Mix Asphalt Binder Course, N70, IL-9.5 FG
PG:	PG64-22
Design Air Voids:	4.0 %, 70 Gyration Design
Mixture Composition: (Gradation Mixture)	IL 9.5FG
Friction Aggregate:	None
Mixture Weight:	112 lbs/Sq Yd/in
Quality Management Program: Program:	Binder Course PFP
Sublot Size:	1,000 tons - PFP
Material Transfer Device	Yes

Location(s):	Hot-Mix Asphalt Shoulders Full Depth (Surface)
Mixture Use(s):	Hot-Mix Asphalt Surface Course, Mix C, N50
PG:	PG64-22
Design Air Voids:	4.0%, 50 Gyration Design
Mixture Composition: (Gradation Mixture)	IL-9.5mm
Friction Aggregate:	C Surface
Mixture Weight:	112 lbs/Sq Yd/in
Quality Management Program:	QCQA
Sublot Size:	3,000 tons
Material Transfer Device	No

HMA MIXTURE REQUIREMENTS TABLE- CONT.

The following HMA mixture requirements are applicable for this project

Location(s):	Hot-Mix Asphalt Shoulders Full Depth (Binder)
Mixture Use(s):	Hot-Mix Asphalt Binder Course, N50, IL-19.0
PG:	PG64-22
Design Air Voids:	4.0 %, 50 Gyration Design
Mixture Composition: (Gradation Mixture)	IL-19.0 mm
Friction Aggregate:	None
Mixture Weight:	112 lbs/Sq Yd/in
Sublot Size:	3,000 tons
Quality Management Program:	QCQA
Material Transfer Device	No

MODEL: M:\Design [Bhvnl]
 FILE NAME: P:\MIDOT\Documents\DOT Office\District 9\9080 Project\78A21\CAD\Drawings\DOT\78A21-Surf-Hdr-Gen\hdrcs.dgn

USER NAME = robert.handy	DESIGNED -	REVISED -
PLOT SCALE = 0.16666633' / in.	DRAWN -	REVISED -
PLOT DATE = 1/26/2024	CHECKED -	REVISED -
	DATE -	REVISED -

**STATE OF ILLINOIS
DEPARTMENT OF TRANSPORTATION**

MIXTURE REQUIREMENTS

SCALE: SHEET 1 OF 1 SHEETS STA. TO STA.

F.A.P. RTE.	SECTION	COUNTY	TOTAL SHEETS	SHEET NO.
686	(112,113,114)RS-3	PERRY/JACKSON	35	4
CONTRACT NO. 78A21				
ILLINOIS FED. AID PROJECT				

SUMMARY OF QUANTITIES

COUNTY:	PERRY	JACKSON	PERRY	JACKSON
ROUTE:	FAP 686	FAP 686	FAP 686	FAP 686
FUNDING:	80% FEDERAL 20% STATE	80% FEDERAL 20% STATE	90% FEDERAL 10% STATE	90% FEDERAL 10% STATE
LOCATION:	RURAL	RURAL	RURAL	RURAL
TOTAL QUANTITY	ROADWAY 0005	ROADWAY 0005	ROADWAY 0021	ROADWAY 0021

CODE NUMBER	ITEM DESCRIPTION	UNIT	TOTAL QUANTITY	ROADWAY 0005	ROADWAY 0005	ROADWAY 0021	ROADWAY 0021
20200600	EXCAVATING AND GRADING EXISTING SHOULDER	UNIT	1,035			494	541
40600290	BITUMINOUS MATERIALS (TACK COAT)	POUND	129,769	58,830	70,939		
40600370	LONGITUDINAL JOINT SEALANT	FOOT	56,927	25,954	30,973		
40600990	TEMPORARY RAMP	SQ YD	220	176	44		
40600982	HOT-MIX ASPHALT SURFACE REMOVAL BUTT JOINT	SQ YD	3,770	1,529	2,241		
40602970	HOT-MIX ASPHALT BINDER COURSE, IL-9.5FG, N70	TON	20,912	9,519	11,393		
40604062	HOT-MIX ASPHALT SURFACE COURSE, IL-9.5, MIX "D", N70	TON	14,243	9,519	4,724		
40800050	INCIDENTAL HOT-MIX ASPHALT SURFACING	TON	865	360	505		
44000155	HOT-MIX ASPHALT SURFACE REMOVAL, 1 1/2"	SQ YD	153,395	76,564	76,831		
44000157	HOT-MIX ASPHALT SURFACE REMOVAL, 2"	SQ YD	12,999		12,999		
44000400	GUTTER REMOVAL	FOOT	340		340		
44201385	CLASS C PATCHES, TYPE I, 13 INCH	SQ YD	16	16			
44201389	CLASS C PATCHES, TYPE II, 13 INCH	SQ YD	1,814	997	817		
44201394	CLASS C PATCHES, TYPE III, 13 INCH	SQ YD	232	232			
44201396	CLASS C PATCHES, TYPE IV, 13 INCH	SQ YD	151	151			
48102100	AGGREGATE WEDGE SHOULDER, TYPE B	TON	504			468	36
48203029	HOT-MIX ASPHALT SHOULDERS, 8"	SQ YD	35,079			17,015	18,064
48203100	HOT-MIX ASPHALT SHOULDERS	TON	263			263	

REV. - MS

MODEL: S001 (Rev. 1) FILE NAME: P:\DOT\Documents\DOT Office\District 9\9080 Project\78A21\CAD\DrawCAD\Drawings\DOT78A21-SHQ-S001.dwg

USER NAME = robert.handy	DESIGNED -	REVISED -	STATE OF ILLINOIS DEPARTMENT OF TRANSPORTATION	SUMMARY OF QUANTITIES			F.A.P. RTE. 686	SECTION (112,113,114)RS-3	COUNTY PERRY/JACKSON	TOTAL SHEETS 35	SHEET NO. 5	
PLOT SCALE = 0.16666833 / in.	DRAWN -	REVISED -		SCALE: SCALE	SHEET 1	OF 3 SHEETS	STA.	TO STA.	CONTRACT NO. 78A21			
PLOT DATE = 1/26/2024	CHECKED -	REVISED -		ILLINOIS FED. AID PROJECT								
	DATE -	REVISED -										

SUMMARY OF QUANTITIES - CONT

COUNTY:	PERRY	JACKSON	PERRY	JACKSON
ROUTE:	FAP 686	FAP 686	FAP 686	FAP 686
FUNDING:	80% FEDERAL 20% STATE	80% FEDERAL 20% STATE	90% FEDERAL 10% STATE	90% FEDERAL 10% STATE
LOCATION:	RURAL	RURAL	RURAL	RURAL
TOTAL QUANTITY	ROADWAY 0005	ROADWAY 0005	ROADWAY 0021	ROADWAY 0021

CODE NUMBER	ITEM DESCRIPTION	UNIT	TOTAL QUANTITY	PERRY ROADWAY 0005	JACKSON ROADWAY 0005	PERRY ROADWAY 0021	JACKSON ROADWAY 0021
60602500	CONCRETE GUTTER, TYPE A	FOOT	160		160		
60602800	CONCRETE GUTTER, TYPE B	FOOT	180		180		
* 63100167	TRAFFIC BARRIER TERMINAL, TYPE 1 (SPECIAL) TANGENT	EACH	1			1	
63200310	GUARDRAIL REMOVAL	FOOT	100			50	50
64200108	SHOULDER RUMBLE STRIPS, 8 INCH	FOOT	94,704			48,305	46,399
67000400	ENGINEER'S FIELD OFFICE, TYPE A	CAL MO	7	3	4		
67100100	MOBILIZATION	L SUM	1	0.46	0.54		
70100450	TRAFFIC CONTROL AND PROTECTION, STANDARD 701201	L SUM	1	0.46	0.54		
70100460	TRAFFIC CONTROL AND PROTECTION, STANDARD 701306	L SUM	1	0.46	0.54		
70100500	TRAFFIC CONTROL AND PROTECTION, STANDARD 701326	L SUM	1			0.46	0.54
70100600	TRAFFIC CONTROL AND PROTECTION, STANDARD 701336	L SUM	1	0.46	0.54		
70102635	TRAFFIC CONTROL AND PROTECTION, STANDARD 701701	L SUM	1	0.46	0.54		
70107025	CHANGEABLE MESSAGE SIGN	CAL DA	42	28	14		
70300100	SHORT TERM PAVEMENT MARKING	FOOT	17,322	8,031	9,291		
70300150	SHORT TERM PAVEMENT MARKING REMOVAL	SQ FT	5,774	2,677	3,097		
70300211	TEMPORARY PAVEMENT MARKING LETTERS AND SYMBOLS - PAINT	SQ FT	228	228	0		
70300221	TEMPORARY PAVEMENT MARKING - LINE 4" - PAINT	FOOT	174,597	80,312	94,285		

* SPECIALTY ITEM

MODEL: S002 (Rev. 11/14)
 FILE NAME: P:\DOT\Documents\DOT Office\District 9\9080 Project\78A21\CAD\DrawCAD\Draw\DOT78A21-SHP-S002.dwg

USER NAME = robert.handy	DESIGNED -	REVISED -
PLOT SCALE = 0.16666833' / in.	DRAWN -	REVISED -
PLOT DATE = 1/26/2024	CHECKED -	REVISED -
	DATE -	REVISED -

STATE OF ILLINOIS
DEPARTMENT OF TRANSPORTATION

SUMMARY OF QUANTITIES

SCALE: SHEET 2 OF 3 SHEETS STA. TO STA.

F.A.P. RTE.	SECTION	COUNTY	TOTAL SHEETS	SHEET NO.
686	(112,113,114)RS-3	PERRY/JACKSON	35	6
CONTRACT NO. 78A21				
ILLINOIS FED. AID PROJECT				

SUMMARY OF QUANTITIES - CONT

COUNTY:	PERRY	JACKSON	PERRY	JACKSON
ROUTE:	FAP 686	FAP 686	FAP 686	FAP 686
FUNDING:	80% FEDERAL 20% STATE	80% FEDERAL 20% STATE	90% FEDERAL 10% STATE	90% FEDERAL 10% STATE
LOCATION:	RURAL	RURAL	RURAL	RURAL
TOTAL QUANTITY	ROADWAY 0005	ROADWAY 0005	ROADWAY 0021	ROADWAY 0021

CODE NUMBER	ITEM DESCRIPTION	UNIT	TOTAL QUANTITY	ROADWAY 0005	ROADWAY 0005	ROADWAY 0021	ROADWAY 0021
70300281	TEMPORARY PAVEMENT MARKING - LINE 24" - PAINT	FOOT	26	26			
* 72501000	TERMINAL MARKER - DIRECT APPLIED	EACH	4				4
* 78000200	THERMOPLASTIC PAVEMENT MARKING - LINE 4"	FOOT	1,691	1,691			
* 78001100	PAINT PAVEMENT MARKING - LETTERS AND SYMBOLS	50 FT	228	228			
* 78001110	PAINT PAVEMENT MARKING - LINE 4"	FOOT	174,597	80,312	94,285		
* 78001180	PAINT PAVEMENT MARKING - LINE 24"	FOOT	26	26			
* 78011025	GROOVING FOR RECESSED PAVEMENT MARKING 5"	FOOT	1,691	1,691			
* 78100100	RAISED REFLECTIVE PAVEMENT MARKER	EACH	847	382	465		
* 78011125	GROOVING FOR RECESSED PAVEMENT MARKING 25"	FOOT	15	15			
* 78200005	GUARDRAIL REFLECTORS, TYPE A	EACH	36			12	24
78300200	RAISED REFLECTIVE PAVEMENT MARKER REMOVAL	EACH	847	382	465		
78300201	PAVEMENT MARKING REMOVAL - GRINDING	50 FT	59,042	27,614	31,428		
X0320882	GUTTERS TO BE CLEANED	FOOT	525		525		
X0326697	CENTER LINE - RUMBLE STRIP - 8"	FOOT	14,238			6,491	7,747
X6061462	CLEANING PAVED DITCH	FOOT	995	225	770		
X6330900	VERTICAL ADJUSTMENT OF GUARDRAIL	FOOT	1,563			865	698
Z0034105	MATERIAL TRANSFER DEVICE	TON	35,155	16,009	19,146		
* Z0036200	PAINT CURB	FOOT	140	140			
Z0076600	TRAINEES	HOUR	500	500			
Z0048665	RAILROAD PROTECTIVE LIABILITY INSURANCE	L SUM	1	1			
Z0076604	TRAINEES TRAINING PROGRAM GRADUATE	HOUR	500	500			
* Z0052410	REPAIR TRAFFIC BARRIER TERMINAL, TYPE 1 SPECIAL (TANGENT)	EACH	2				2

* SPECIALTY ITEM Ø 0042

MODEL: S003 (Sheet) FILE NAME: p:\projects\2024\112.113.114\RS-3\Drawings\0378421_Spec_S003.dgn

USER NAME = robert.handy	DESIGNED -	REVISED -
PLOT SCALE = 0.16666633 / in.	DRAWN -	REVISED -
PLOT DATE = 1/28/2024	CHECKED -	REVISED -
	DATE -	REVISED -

STATE OF ILLINOIS
DEPARTMENT OF TRANSPORTATION

SUMMARY OF QUANTITIES

SCALE: SHEET 3 OF 3 SHEETS STA. TO STA.

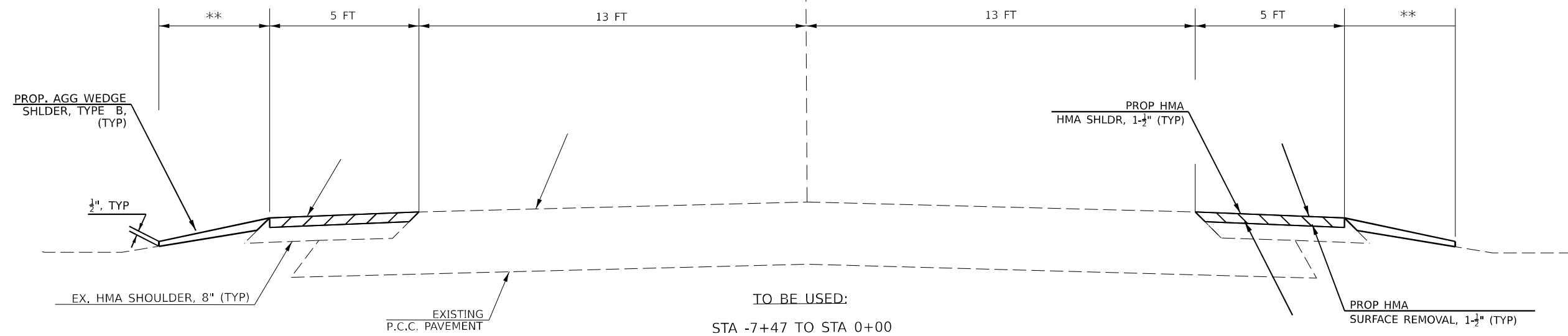
F.A.P. RTE. 686	SECTION (112.113.114)RS-3	COUNTY PERRY/JACKSON	TOTAL SHEETS 35	SHEET NO. 7
CONTRACT NO. 78A21				
ILLINOIS FED. AID PROJECT				

REV. - MS

TYPICAL SECTION

N.T.S

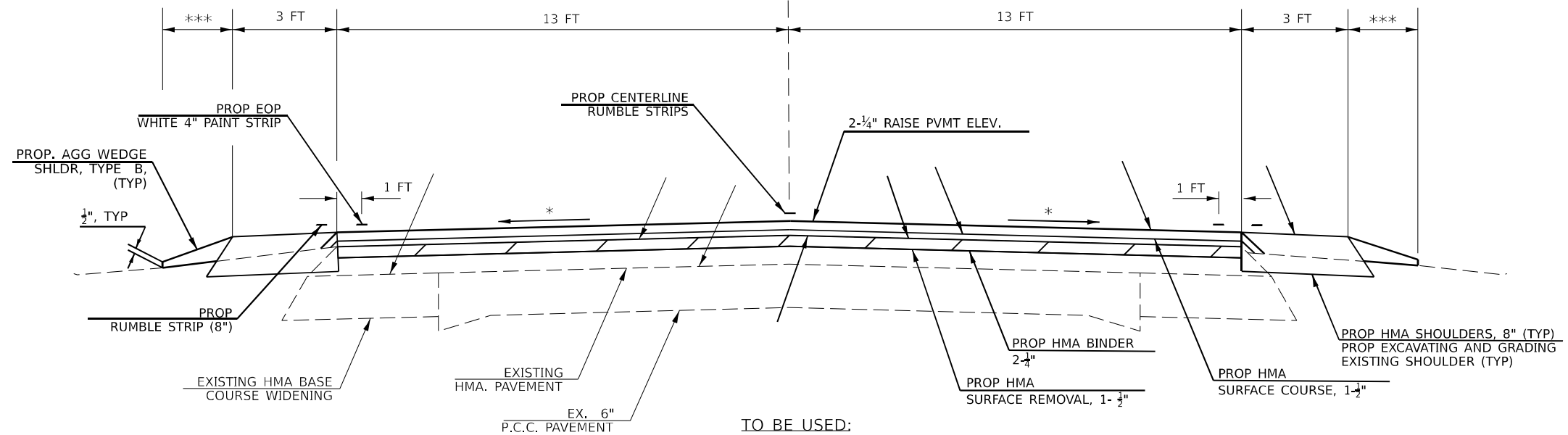
IL 4
FAP 686



TYPICAL SECTION

N.T.S

IL 4
FAP 686



TO BE USED:

STA 0+00 TO STA 36+58	STA 314+50 TO STA 384+00
STA 36+67 TO STA 78+65	STA 394+00 TO STA 395+25 (GAP: HMA SHOULDERS, 8")
STA 84+25 TO STA 131+03	STA 397+80 TO STA 398+35
STA 131+67.30 TO STA 159+49.90	STA 428+00 TO STA 557+93
STA 159+55.50 TO STA 312+25	STA 558+00 TO STA 570+80

* MATCH EXISTING SLOPE
 ** NOTE: SEE SHOULDER SCHEDULE FOR HMA SHOULDER WIDTHS
 *** NOTE: SEE SHOULDER SCHEDULE FOR AGGREGATE WIDTHS

MODEL: Typical 1 (Sheet)
 FILE NAME: P:\GIS\Projects\DOT\Office\District 9\ORD\Projects\78A21\CAD\DrawCAD\Drawings\DOT\78A21-SHP-5-Typicals.dwg

USER NAME = robert.handy	DESIGNED -	REVISED -
PLOT SCALE = 0.16666633' / in.	DRAWN -	REVISED -
PLOT DATE = 1/26/2024	CHECKED -	REVISED -
	DATE -	REVISED -

**STATE OF ILLINOIS
DEPARTMENT OF TRANSPORTATION**

TYPICAL SECTION

SCALE: N.T.S. SHEET 1 OF 4 SHEETS STA. TO STA.

F.A.P. RTE.	SECTION	COUNTY	TOTAL SHEETS	SHEET NO.
686	(112, 113, 144)RS-3	PERRY / JACKSON	35	8
CONTRACT NO. 78A21				
ILLINOIS FED. AID PROJECT				

TYPICAL SECTION

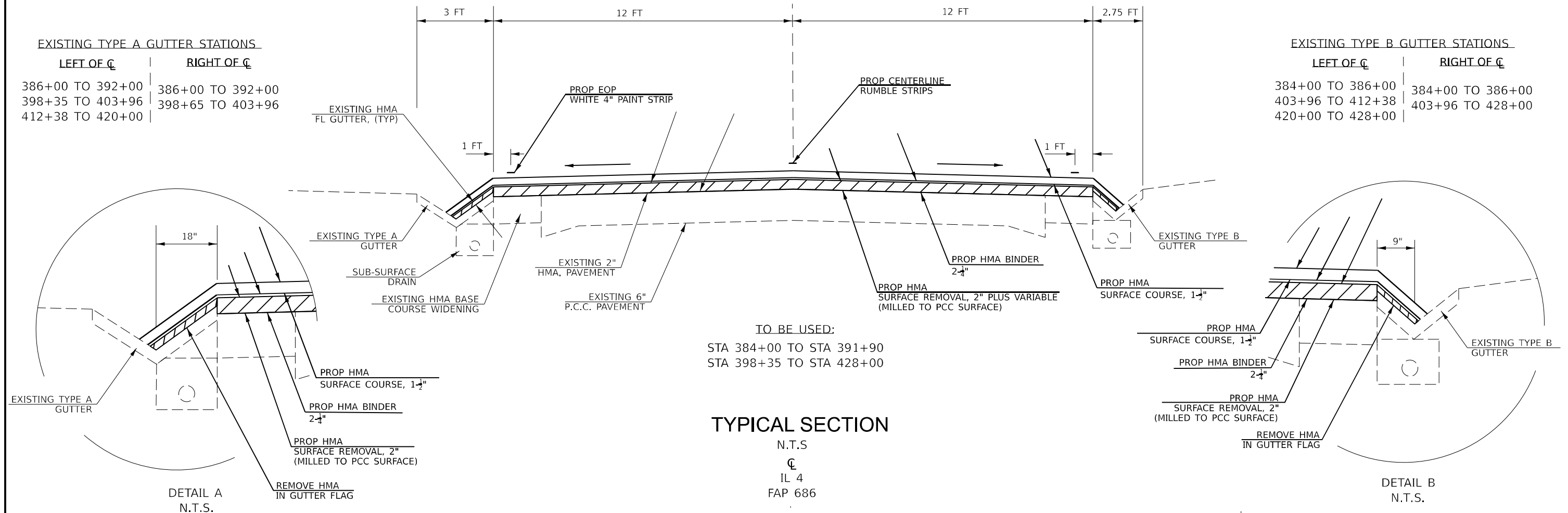
N.T.S.
 CL
 IL 4
 FAP 686

EXISTING TYPE A GUTTER STATIONS

LEFT OF CL	RIGHT OF CL
386+00 TO 392+00	386+00 TO 392+00
398+35 TO 403+96	398+65 TO 403+96
412+38 TO 420+00	

EXISTING TYPE B GUTTER STATIONS

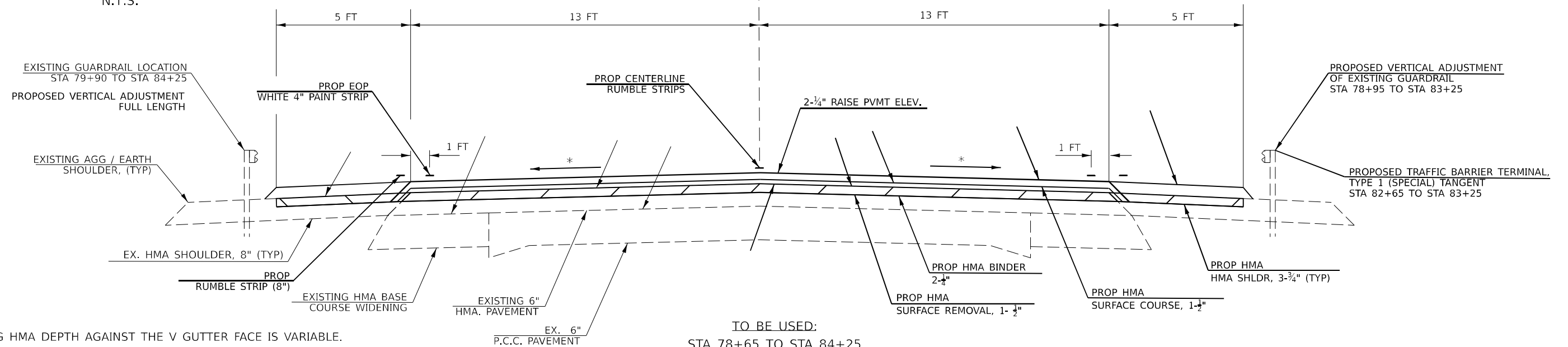
LEFT OF CL	RIGHT OF CL
384+00 TO 386+00	384+00 TO 386+00
403+96 TO 412+38	403+96 TO 428+00
420+00 TO 428+00	



TO BE USED:
 STA 384+00 TO STA 391+90
 STA 398+35 TO STA 428+00

TYPICAL SECTION

N.T.S.
 CL
 IL 4
 FAP 686



TO BE USED:
 STA 78+65 TO STA 84+25
 (RESURFACING PVMT GAP: STA 81+25 TO 81+94) (SN 073-2006)

NOTES:

THE EXISTING HMA DEPTH AGAINST THE V GUTTER FACE IS VARIABLE.
 IF THE EXISTING V GUTTER IS SUBJECT TO DAMAGE DURING THE OPERATION OF
 HMA SURFACE REMOVAL BY THE MILLING MACHINE, THE REMAINING HMA
 AGAINST THE GUTTER FACE SHALL BE REMOVED BY OTHER MEANS.
 THIS WILL BE INCLUDED IN THE COST OF HMA SURFACE REMOVAL 2".

* MATCH EXISTING SLOPE

STATE OF ILLINOIS
 DEPARTMENT OF TRANSPORTATION

TYPICAL SECTION

USER NAME = robert.handy	DESIGNED -	REVISED -
PLOT SCALE = 0.16666633' / in.	DRAWN -	REVISED -
PLOT DATE = 1/26/2024	CHECKED -	REVISED -
	DATE -	REVISED -

SCALE: N.T.S. SHEET 2 OF 4 SHEETS STA. TO STA.

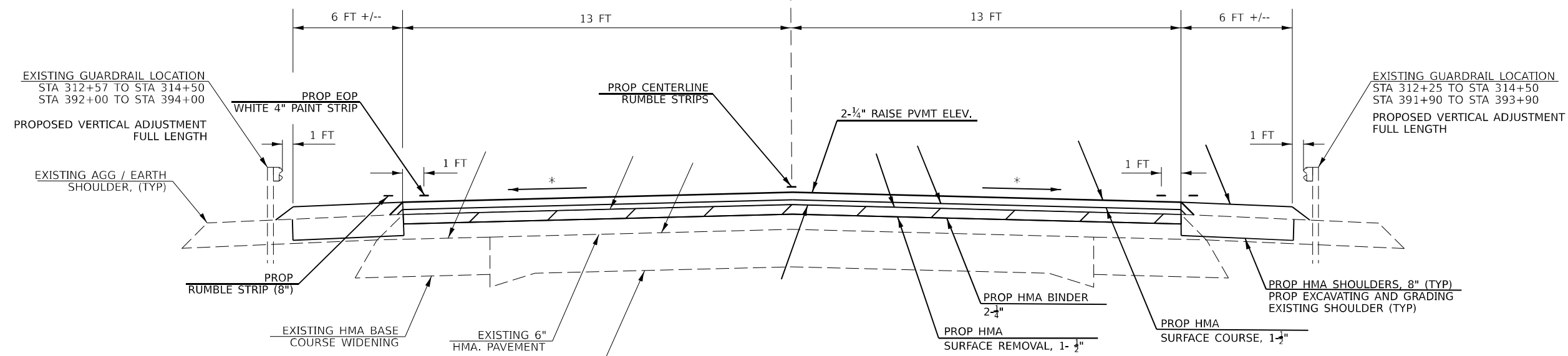
F.A.P. RTE.	SECTION	COUNTY	TOTAL SHEETS	SHEET NO.
686	(112, 113, 114)RS-3	PERRY / JACKSON	35	9
CONTRACT NO. 78A21				

ILLINOIS FED. AID PROJECT

MODEL: Typical 2 (Sheet)
 FILE NAME: P:\GIS\Projects\78A21\CAD\Drawings\78A21-SHPD-2-Typical.dwg

TYPICAL SECTION

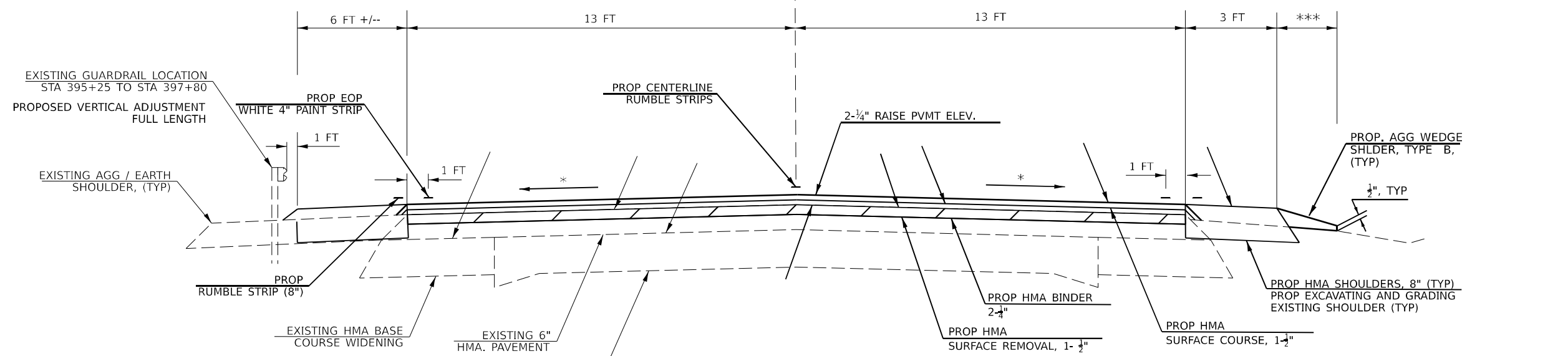
N.T.S
 CL
 IL 4
 FAP 686



TO BE USED:
 STA 312+25 TO STA 314+50
 STA 391+90 TO STA 394+00

TYPICAL SECTION

N.T.S
 CL
 IL 4
 FAP 686



TO BE USED:
 STA 395+25 TO STA 397+80

* MATCH EXISTING SLOPE

MODEL: Typical 3 (Sheet)
 FILE NAME: P:\MIDOT\Documents\DOT Office\District 9\ORD Project\78A21\CAD\Drawings\DOT\78A21-Sheet3-Typicals.dwg

USER NAME = robert.handy	DESIGNED -	REVISED -
PLOT SCALE = 0.16666633' / in.	DRAWN -	REVISED -
PLOT DATE = 1/26/2024	CHECKED -	REVISED -
	DATE -	REVISED -

**STATE OF ILLINOIS
 DEPARTMENT OF TRANSPORTATION**

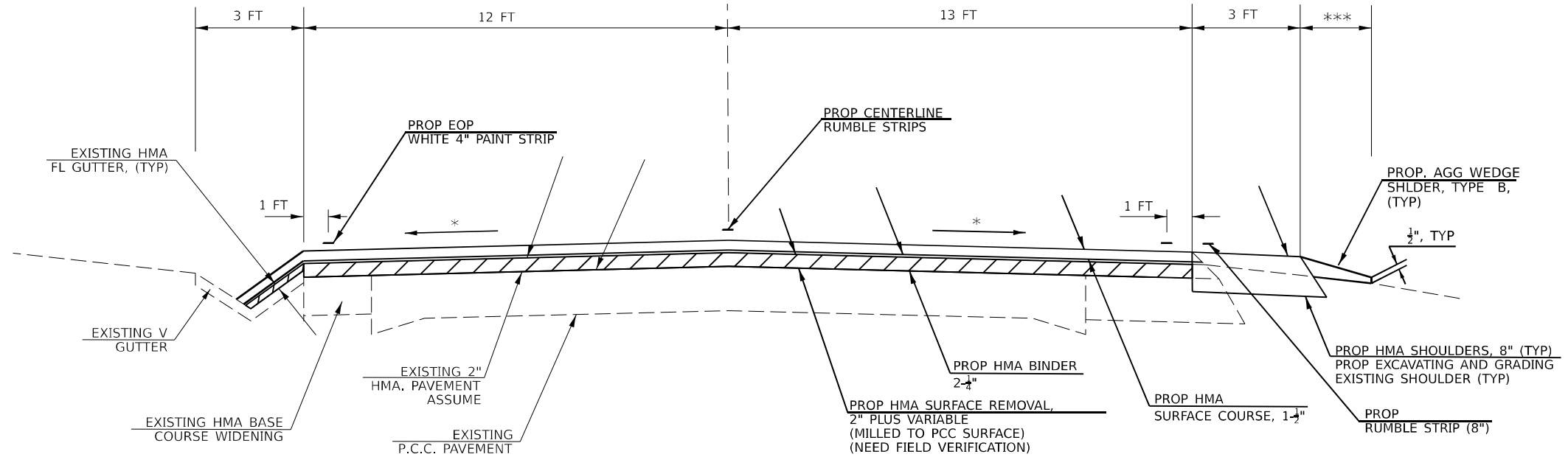
TYPICAL SECTION

SCALE: SCALE SHEET 3 OF 4 SHEETS STA. TO STA.

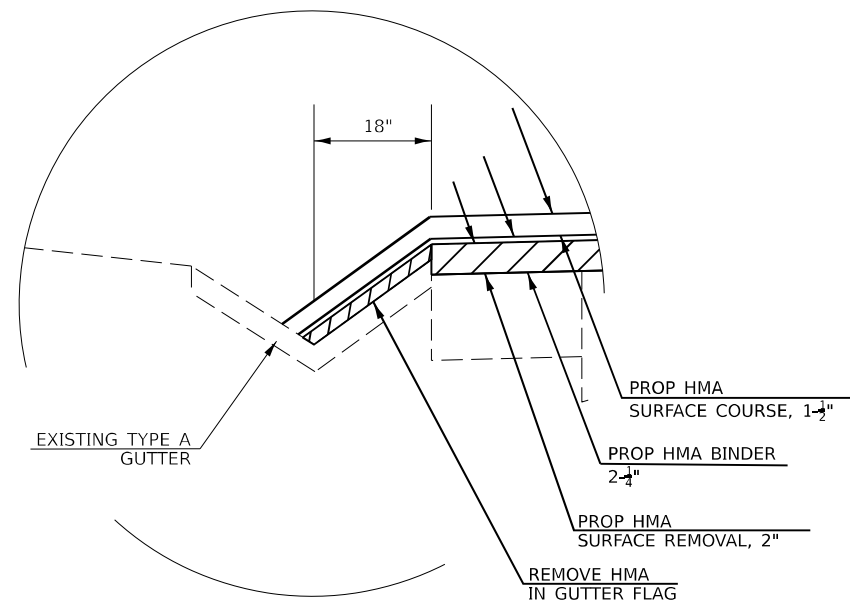
F.A.P. RTE.	SECTION	COUNTY	TOTAL SHEETS	SHEET NO.
686	(112, 113, 144)RS-3	PERRY / JACKSON	35	10
CONTRACT NO. 78A21				
ILLINOIS FED. AID PROJECT				

TYPICAL SECTION

N.T.S.
 CL
 IL 4
 FAP 686



TO BE USED:
 STA 564+00 TO STA 570+80



DETAIL C
 N.T.S.

* MATCH EXISTING SLOPE
 ** NOTE: SEE SHOULDER SCHEDULE FOR AGGREGATE WIDTHS

MODEL: Typical 4 (Sheet)
 FILE NAME: p:\projects\2024\78A21\DOT\Office\District 9\ORD Project\78A21\CADData\CAD\Sheet\DOT\78A21-Sheet-5-Typical.dwg

USER NAME = robert.handy	DESIGNED -	REVISED -
PLOT SCALE = 0.16666833' / in.	DRAWN -	REVISED -
PLOT DATE = 1/26/2024	CHECKED -	REVISED -
	DATE -	REVISED -

STATE OF ILLINOIS
DEPARTMENT OF TRANSPORTATION

TYPICAL SECTION

SCALE: SCALE SHEET 4 OF 4 SHEETS STA. TO STA.

F.A.P. RTE.	SECTION	COUNTY	TOTAL SHEETS	SHEET NO.
686	(112,113,114)RS-3	PERRY/JACKSON	35	11
CONTRACT NO. 78A21				
ILLINOIS FED. AID PROJECT				

IL 4 RESURFACING SCHEDULE

LOCATION STATION TO STATION		LENGTH	ROADWAY WIDTH	TEMP RAMP	HOT-MIX ASPHALT SURFACE REMOVAL, 1-1/2"	HOT-MIX ASPHALT SURFACE REMOVAL, 2"	HOT-MIX ASPHALT BINDER COURSE, IL-9.5 FG, N70 (2-1/4")	HOT-MIX ASPHALT SURFACE COURSE, IL-9.5, MIX "D", N70 (1-1/2")	BITUMINOUS MATERIALS (TACK COAT)	MATERIAL TRANSFER DEVICE	LONG JOINT SEALANT	CENTERLINE RUMBLE STRIPS 8"	NOTE		
														FOR INFORMATIONAL PURPOSE ONLY	
IL 4		FT	FT	SQ YD	SQ YD	SQ YD	TON	TON	POUND	TON	FOOT	FOOT			
PERRY COUNTY															
+00	TO	36+58	3,658	26	44	10,568		1,342	915	7,134	2,257	3,658	915		
36+58	TO	36+67	GAP RAILROAD CROSSING												
36+67	TO	81+25	4,458	26	88	12,879		1,635	1,115	8,694	2,750	4,458	1,115		
81+25	TO	81+94	GAP SN 073-2006 DOUBLE BOX CULVERT												
81+94	TO	131+03	4,910	26	44	14,185		1,801	1,228	9,575	3,029	4,910	1,228		
STA EQ 131+03.30 BK = STA. 131+67.30 AH															
131+67	TO	159+50	2,783	26		8,040		1,021	696	5,427	1,717	2,783	696		
STA EQ 159+49.90 BK = STA. 159+55.50 AH															
159+56	TO	261+00	10,145	26		29,308		3,720	2,536	19,783	6,256	10,145	2,537		
(PERRY COUNTY) TOTALS					176	74,980		9,519	6,490	50,613	16,009	25,954	6,491		
JACKSON COUNTY															
261+00	TO	378+97	11,798	26		34,084		4,326	2,950	23,007	7,276	11,798	2,950		
STA EQ 378+97.40 BK = STA. 378+98.20 AH															
378+98	TO	384+00	502	26		1,451		185	126	979	311	502	126		
384+00	TO	391+90	790	27			2,370	299	200	1,689	499	790	198	Existing HMA in Left & Right V-Gutter	
391+90	TO	398+35	645	24		1,720		219	154	1,161	373	645	162		
398+35	TO	428+00	2,965	27			8,895	1,121	748	6,338	1,869	2,965	742	Existing HMA in Left & Right V-Gutter	
428+00	TO	557+93	12,993	26		37,536		4,764	3,248	25,337	8,012	12,993	3,249		
STA EQ 557+93.00 BK = STA. 558+00.00 AH															
550+00	TO	564+00	600	26			1,734	220	150	1,170	370	600	150		
564+00	TO	570+80	680	27	44	2,040		259	177	1,377	436	680	170	Existing HMA in Left V-Gutter	
(JACKSON) TOTALS					44	76,831		12,999	11,393	61,058	19,146	30,973	7,747		
IL 4 TOTAL					220	151,811		12,999	20,912	14,243	111,671	35,155	56,927	14,238	

MODEL: Resurface (Sheet)
FILE NAME: c:\p\work\tohandy\rd\0903066D\78A21-SHE-Schedules.dgn

USER NAME = robert.handy	DESIGNED -	REVISED -
PLOT SCALE = 0.16666833' / in.	DRAWN -	REVISED -
PLOT DATE = 12/22/2023	CHECKED -	REVISED -
	DATE -	REVISED -

**STATE OF ILLINOIS
DEPARTMENT OF TRANSPORTATION**

RESURFACING SCHEDULE

SCALE: 1"=50' SHEET OF SHEETS STA. TO STA.

F.A.P. RTE.	SECTION	COUNTY	TOTAL SHEETS	SHEET NO.
686	(112,113,114)RS-3	PERRY/JACKSON	35	12
CONTRACT NO. 78A21				
ILLINOIS FED. AID PROJECT				

IL 4 JACKSON COUNTY SHOULDER & CONCRETE GUTTER SCHEDULE

LOCATION STATION TO STATION	LENGTH	HMA SHLDR WIDTH		AGG SHLDR WIDTH		HMA SURFACE, REMOVAL, (1-1/2")	HOT MIX ASPHALT SHOULDER (1-1/2")	HOT MIX ASPHALT SHOULDER (3-3/4")	BITUMINOUS MATERIALS (TACK COAT)	GUTTER REMOVAL	CONCRETE GUTTER, TYPE A	CONCRETE GUTTER, TYPE B	NOTES	
		LT	RT	LT	RT									
		FOR INFORMATIONAL PURPOSE ONLY												
IL 4	(FT)	(FT)	(FT)	(FT)	(FT)	SQYD	TON	TON	POUNDS	FEET	FEET	FEET		
JACKSON COUNTY														
261+00 TO 312+05	5,105	3	3						1,532				Majority of the ditch profile line is approximate 4 FT to 5 FT off EOP both sides	
312+25 TO 314+50	225	4	4						90				Guardrail Location (SN 039-7031)	
314+50 TO 352+60	3,810	3	3						1,144				Majority of the ditch profile line is approximate 4 FT to 5 FT off EOP both sides	
352+60 TO 376+35	2,375	3	3						714				Majority of the ditch profile line is approximate 4 FT to 5 FT EOP Leftside Steep Slope Embankment Rightside	
376+35 TO 378+97	282	3	3						80				Steep Slope Embankment Both Sides of Shoulder	
*STA EQ 378+97.40 BK = STA. 378+96.20 AH														
378+98 TO 384+00	502	3	3						152				Majority of the ditch profile line is approximate 4 FT to 5 FT off EOP both sides	
384+00 TO 391+90	790									160	160		Existing HMA in Left & Right V-Gutter Sta 385+60 to Sta 387+20; Remove and Repair (LeftSide)	
391+90 TO 394+00	210	6	6						126				Guardrail Location (SN 039-7029)	
394+00 TO 395+25	125												GAP HMA Safety Shoulder these stations	
395+25 TO 397+80	255	6	3						116				Guardrail Location (SN 039-7093)	
397+81 TO 398+35	54												GAP HMA Safety Shoulder these stations	
398+35 TO 428+00	2,965									180	180		Existing HMA in Left & Right V-Gutter Sta 399+60 to Sta 401+40; Remove and Repair (RightSide)	
428+00 TO 430+90	1,190	3	3						358				Steep Slope Embankment Both Sides of Shoulder	
430+90 TO 458+65	1,975	3	3						594				Majority of the ditch profile line is approximate 4 FT to 5 FT off EOP both sides	
458+65 TO 501+00	4,135	3	3						1,242				Steep Slope Embankment Both Sides of Shoulder	
501+00 TO 503+00	200	3	3						60					
503+00 TO 557+93	5,493	3	3						1,648					
*STA EQ 557+93.00 BK = STA. 558+00.00 AH														
558+00 TO 564+00	600	3	3						180					
564+00 TO 570+80	680	0	3						102				Existing HMA in Left V-Gutter (Inlay)	
(JACKSON) TOTALS									8,138	340	160	180		
(PERRY COUNTY) TOTALS							1,584	82	181	6,975				
(JACKSON COUNTY) TOTALS									8,138	340	160	180		
IL 4 TOTAL							1,584	263		15,113	340	160	180	

MODEL: Shoulder_Schedule_2 (Sheet)
FILE NAME: P:\GIS\Projects\DOT\DOT Documents\DOT Office\District 9\ORD Project\78A21\CAD\Drawings\DOT\78A21-SHE-Schedule.dwg

USER NAME = robert.handy	DESIGNED -	REVISED -
PLOT SCALE = 0.16666633' / in.	DRAWN -	REVISED -
PLOT DATE = 1/26/2024	CHECKED -	REVISED -
	DATE -	REVISED -

**STATE OF ILLINOIS
DEPARTMENT OF TRANSPORTATION**

SHOULDER SCHEDULE CONT

SCALE: SHEET 2 OF 4 SHEETS STA. TO STA.

F.A.P. RTE.	SECTION	COUNTY	TOTAL SHEETS	SHEET NO.
686	(112,113,114)RS-3		35	14
CONTRACT NO. 78A21				
ILLINOIS FED. AID PROJECT				

*PERRY/JACKSON

IL 4 PERRY COUNTY SHOULDER SCHEDULE

LOCATION STATION TO STATION	LENGTH	HMA SHLD WIDTH		AGG SHLD WIDTH		EXCAVATING AND GRADING EXISTING SHOULDER	HMA SHOULDER 8"	AGGERGATE SHOULDER WEDGE, TYPE B	SHOULDER RUMBLE STRIPS, 8 INCH	NOTES		
		LT	RT	LT	RT							
		FOR INFORMATIONAL PURPOSE ONLY										
IL 4	(FT)	(FT)	(FT)	(FT)	(FT)	UNIT	SQYD	TON	FOOT			
PERRY COUNTY												
-7+47	TO	-1+37	610	5	5	9	11		184	1,220		
-1+37	TO	+00	137	5	5	9	3		25	274		
+00	TO	36+58	3,658	3	3	2	2	74	2,439	220	7,316	
36+58	TO	36+67	GAP RAILROAD CROSSING									
36+67	TO	72+50	3,583	3	3			72	2,389		7,166	
72+50	TO	78+65	615	3	3			13	410		1,230	
78+65	TO	81+25	260	6	6						520	
81+25	TO	81+94	GAP SN 073-2006 DOUBLE BOX CULVERT									
81+94	TO	84+45	251	5	5						502	
84+45	TO	90+00	555	3	3			12	370		1,110	
90+00	TO	103+20	1,320	3	3			27	880		2,640	
103+20	TO	107+70	450	3	3			9	300		900	
107+70	TO	115+45	775	3	3			16	517		1,550	
115+45	TO	131+03	1,558	3	3			32	1,039		3,116	
STA EQ 131+03.00 BK = STA. 131+67.30 AH												
131+67	TO	133+50	183	3	3			4	122		366	
133+50	TO	136+70	320	3	3			7	214		640	
136+70	TO	138+98	228	3	5			3	203		456	
138+98	TO	159+50	2,052	3	3			21	1,368		4,104	
STA EQ 159+49.90 BK = STA. 159+55.50 AH												
159+55	TO	166+65	710	3	3			15	474		1,420	
166+65	TO	261+00	9,435	3	3			189	6,290		18,870	
(PERRY COUNTY) TOTALS									494	17,015	429	53,400

MODEL: Shoulder Schedule.dwg (Sheet)
FILE NAME: P:\GIS\Projects\2024\DOT\Office\DOT\Projects\78A21\CAD\Drawings\DOT\78A21-SHS-Schedule.dwg

USER NAME = robert.handy	DESIGNED -	REVISED -
PLOT SCALE = 0.16666833' / in.	DRAWN -	REVISED -
PLOT DATE = 1/26/2024	CHECKED -	REVISED -
	DATE -	REVISED -

**STATE OF ILLINOIS
DEPARTMENT OF TRANSPORTATION**

SHOULDER SCHEDULE CONT			
SCALE:	SHEET 3	OF 4	SHEETS
STA.	TO STA.		

F.A.P. RTE.	SECTION	COUNTY	TOTAL SHEETS	SHEET NO.
686	(112,113,114)RS-3	PERRY / JACKSON	35	15
CONTRACT NO. 78A21				
ILLINOIS FED. AID PROJECT				

IL 4 PERRY COUNTY ENTRANCE SCHEDULE

LOCATION FAP 686 (IL 4)	ENTRANCE TYPE		EXISTING SURFACE	EDGE OF PAVEMENT	WIDTH 4' OFFSET	ROADWAY AREA	INCIDENTAL HMA SURFACE (2-3/4")	AGGREGATE WEDGE SHOULDER, TYPE B	BITUMINOUS MATERIAL (TACK COAT)						
										FOR INFO PURPOSES ONLY					
										TYPE	FT	FT	SQ YD	TON	TON
PERRY COUNTY															
-4+81	RT	FE	AGG	40	20	14		1							
-1+83	LT	FE	HMA	30	25	13	2		6						
1+86	RT	PE	AGG	35	30	15		2							
14+00	LT	FE	AGG	15	15	7		1							
20+00	LT	PE	AGG	25	20	10		1							
35+97	RT	CE	AGG	100	100	45		4							
37+25	RT	CE	AGG	75	75	34		3							
46+32	RT	CE	AGG	70	60	29		3							
54+90	RT	FE	AGG	25	20	10		1							
61+52	LT	PE	AGG	110	95	46		4							
72+86	LT	PE	AGG	100	95	44		4							
79+40	LT	PE	AGG	25	25	12		1							
96+85	RT	PE	AGG	105	105	47		4							
100+87	RT	CE	AGG	70	55	28		2							
102+33	RT	PE	AGG	45	40	19		2							
103+00	LT	CE	AGG	50	50	23									
104+00	RT	PE	HMA	40	25	15	2		7						
110+20	LT	PE	AGG	80	70	34		3							
111+50	LT	FE	AGG	25	25	12		1							
112+31	LT	FE	AGG	40	25	15		2							
116+50	LT	PE	HMA	45	25	16	2		8						
117+95	RT	FE	HMA	30	15	10	1		5						
119+45	LT	PE	HMA	25	15	9	1		5						
120+25	LT	PE	HMA	50	20	16	2		8						
122+31	RT	PE	HMA	60	20	18	2		9						
125+90	LT	PE	HMA	50	40	20	2		9						
129+45	LT	CE	HMA	60	40	23	3		11						
131+95	LT	CE	HMA	50	45	22	2		10						
133+55	LT	CE	HMA	90	85	39	4		18						
137+95	RT	PE	HMA	250	250	112	11		51						
140+05	RT	CE	HMA	50	35	19	2		9						
143+65	RT	CE	HMA	80	50	29	3		14						
144+60	LT	CE	HMA	45	35	18	2		9						
145+00	RT	CE	HMA	75	60	30	3		14						
146+20	RT	CE	HMA	50	40	20	2		9						
146+35	LT	CE	HMA	35	15	12	2		6						
147+25	LT	PE	HMA	40	25	15	2		7						
148+80	LT	PF	HMA	50	20	16	2		8						
(PERRY COUNTY) SUB TOTAL 1							52	39	223						

MODEL: Entrance Schedule (Sheet)
FILE NAME: c:\pva\work\handy\rcd\0903066\0978A21-SubE-Schedules.dgn

USER NAME = robert.handy	DESIGNED -	REVISED -
PLOT SCALE = 0.16666633' / in.	DRAWN -	REVISED -
PLOT DATE = 12/22/2023	CHECKED -	REVISED -
	DATE -	REVISED -

**STATE OF ILLINOIS
DEPARTMENT OF TRANSPORTATION**

ENTRANCE SCHEDULE

SCALE: 1"=50' SHEET 1 OF 4 SHEETS STA. TO STA.

F.A.P. RTE.	SECTION	COUNTY	TOTAL SHEETS	SHEET NO.
686	(112,113,114)RS-3	PERRY/JACKSON	35	17
CONTRACT NO. 78A21				
ILLINOIS FED. AID PROJECT				

IL 4 PERRY COUNTY ENTRANCE SCHEDULE CONT.

LOCATION FAP 686 (IL 4)	ENTRANCE TYPE		EXISTING SURFACE	EDGE OF PAVEMENT	WIDTH 4' OFFSET	ROADWAY AREA	INCIDENTAL HMA SURFACE (2-3/4")	AGGREGATE WEDGE SHOULDER, TYPE B	BITUMINOUS MATERIAL (TACK COAT)	
			FOR INFO PURPOSES ONLY							
			TYPE	FT	FT	SQ YD	TON	TON	POUND	
PERRY COUNTY										
149+75	RT	CE	HMA	290	290	129	12		59	
150+05	LT	PE	HMA	35	30	15	2		7	
151+80	LT	PE	HMA	25	15	9	1		5	
153+90	RT	CE	HMA	70	45	26	3		12	
159+70	RT	CE	HMA	60	30	20	2		9	
163+05	RT	PE	HMA	50	35	19	2		9	
165+80	LT	CE	HMA	60	40	23	3		11	
181+15	LT	PE	HMA	60	50	25	3		12	
182+85	LT	PE	HMA	60	50	25	3		12	
185+40	LT	CE	HMA	50	30	18	2		9	
193+05	LT	FE	HMA	60	45	24	3		11	
195+70	LT	FE	HMA	55	45	23	3		11	
200+50	LT	FE	HMA	50	40	20	2		9	
200+70	RT	PE	HMA	60	50	25	3		12	
204+75	RT	PE	HMA	60	45	24	3		11	
205+50	LT	PE	HMA	40	30	16	2		8	
208+85	LT	PE	HMA	60	45	24	3		11	
212+90	LT	CE	HMA	55	45	23	3		11	
214+50	LT	CE	HMA	65	55	27	3		13	
222+65	LT	PE	HMA	135	100	53	5		24	
240+87	RT	PE	HMA	35	25	14	2		7	
245+45	RT	PE	HMA	50	35	19	2		9	
246+95	LT	PE	HMA	70	30	23	3		11	
248+85	LT	PE	HMA	45	30	17	2		8	
251+95	LT	PE	HMA	65	50	26	3		12	
261+00	RT	PE	HMA	75	65	32	3		15	
(PERRY COUNTY) SUB TOTAL 2							(THIS SHEET)	78	0	328
(PERRY COUNTY) SUB TOTAL 1								52	39	223
(PERRY COUNTY) TOTALS								130	39	551

MODEL: Entrance Schedule 2 [Sheet]
FILE NAME: c:\p\work\robert\handy\cd09030660978A21-SHE-Schedule.dgn

USER NAME = robert.handy	DESIGNED -	REVISED -	STATE OF ILLINOIS DEPARTMENT OF TRANSPORTATION	ENTRANCE SCHEDULE				F.A.P RTE.	SECTION	COUNTY	TOTAL SHEETS	SHEET NO.
PLOT SCALE = 0.16666833' / in.	CHECKED -	REVISED -		SCALE: 1"=50'				686	(112,113,114)RS-3	PERRY/JACKSON	35	18
PLOT DATE = 12/22/2023	DATE -	REVISED -		SHEET 2 OF 4 SHEETS STA. TO STA.				CONTRACT NO. 78A21				
				ILLINOIS FED. AID PROJECT								

IL 4 JACKSON COUNTY ENTRANCE SCHEDULE

LOCATION FAP 686 (IL 4)	ENTRANCE TYPE		EXISTING SURFACE	EDGE OF PAVEMENT	WIDTH 4' OFFSET	ROADWAY AREA	INCIDENTAL HMA SURFACE (2-3/4")	AGGREGATE WEDGE SHOULDER, TYPE B	BITUMINOUS MATERIAL (TACK COAT)						
										FOR INFO PURPOSES ONLY					
										TYPE	FT	FT	SQ YD	TON	TON
JACKSON COUNTY															
266+55	RT	PE	HMA	90	60	34	4		16						
268+80	LT	CE	HMA	45	30	17	2		8						
271+60	RT	PE	HMA	50	30	18	2		9						
274+75	LT	CE	HMA	60	40	23	3		11						
274+75	RT	CE	HMA	50	30	18	2		9						
275+00	RT	CE	HMA	40	25	15	2		7						
276+35	LT	CE	HMA	85	70	35	4		16						
277+75	RT	PE	HMA	55	25	18	2		9						
283+60	LT	CE	HMA	95	80	39	4		18						
303+70	LT	FE	HMA	55	35	20	2		9						
317+45	LT	FE	HMA	30	15	10	1		5						
333+60	LT	CE	CONC	125	90	48									
340+85	LT	CE	HMA	95	75	38	4		18						
342+75	RT	CE	HMA	55	45	23	3		11						
348+80	RT	CE	HMA	250	250	112	11		51						
349+95	RT	PE	HMA	30	25	13	2		6						
351+20	RT	PE	HMA	100	100	45	5		21						
352+75	RT	CE	HMA	35	25	14	2		7						
352+60	RT	CE	HMA	80	55	30	3		14						
355+00	RT	CE	HMA	80	55	30	3		14						
356+40	RT	PE	HMA	80	40	27	3		13						
364+15	LT	CE	HMA	50	25	17	2		8						
367+15	RT	PE	HMA	55	35	20	2		9						
368+40	LT	PE	HMA	50	45	22	3		10						
371+25	LT	PE	HMA	30	20	12	2		6						
372+80	LT	PE	AGG	50	40	20		2							
373+80	LT	PE	AGG	40	35	17		2							
374+80	RT	PE	HMA	60	35	22	3		10						
376+36	LT	PE	HMA	50	30	18	2		9						
377+80	LT	PE	HMA	40	25	15	2		7						
379+20	LT	PE	HMA	70	70	32	3		15						
384+05	RT	CE	HMA	140	140	63	6		29						
384+50	LT	PE	GUTTER	50	50	23									
385+15	LT	PE	GUTTER	30	25	13									
391+10	RT	CE	CONC	80	75	35									
395+65	RT	PE	AGG	105	75	40		3							
(JACKSON COUNTY) SUB TOTAL 1							89	7	375						

MODEL: Entrance Schedule 3 [Sheet]
FILE NAME: c:\p\work\robert\handy\rd\09030660978A21-SHE-Schedule.dgn

USER NAME = robert.handy	DESIGNED -	REVISED -
DRAWN -	REVISIONS -	
PLOT SCALE = 0.16666833' / in.	CHECKED -	REVISED -
PLOT DATE = 12/22/2023	DATE -	REVISED -

**STATE OF ILLINOIS
DEPARTMENT OF TRANSPORTATION**

ENTRANCE SCHEDULE			
SCALE: 1"=50'	SHEET 3	OF 4 SHEETS	STA. TO STA.

F.A.P. RTE.	SECTION	COUNTY	TOTAL SHEETS	SHEET NO.
686	(112,113,114)RS-3	PERRY/JACKSON	35	19
CONTRACT NO. 78A21				
ILLINOIS FED. AID PROJECT				

**IL 4
JACKSON COUNTY
ENTRANCE SCHEDULE CONT.**

LOCATION FAP 686 (IL 4)	ENT TYPE		EXISTING. SURFACE	EDGE OF PAVEMENT	WIDTH 4' OFFEST	ROADWAY AREA	INCIDENTAL HMA SURFACE (2-3/4")	AGGREGATE WEDGE SHOULDER, TYPE B	BITUMINOUS MATERIAL (TACK COAT)	
			FOR INFO PURPOSES ONLY							
			TYPE	FT	FT	SQ YD				TON
JACKSON COUNTY										
399+35	RT	PE	GUTTER	45	40	19				
401+05	LT	CE	GUTTER	40	30	16				
402+25	LT	CE	GUTTER	35	35	16				
407+40	RT	PE	GUTTER	50	45	22				
409+05	LT	CE	GUTTER	30	30	14				
415+45	RT	PE	GUTTER	65	60	28				
418+90	RT	PE	GUTTER	75	60	30				
422+40	LT	CE	GUTTER	100	95	44				
432+90	RT	PE	AGG	75	60	30		3		
433+55	LT	PE	HMA	130	110	140	13		63	
438+40	RT	PE	HMA	75	60	30	3		14	
446+60	RT	PE	HMA	80	80	36	4		17	
450+60	RT	PE	AGG	35	25	14		1		
470+40	LT	PE	HMA	50	30	18	2		9	
472+25	LT	FL	AGG	60	50	25		2		
494+10	LT	PE	HMA	40	30	16	2		8	
499+05	LT	PE	HMA	35	25	14	2		7	
501+25	LT	PE	HMA	65	55	27	3		13	
505+05	LT	PE	HMA	80	60	32	3		15	
507+15	LT	PE	HMA	50	30	18	2		9	
509+30	RT	PE	HMA	85	75	36	4		17	
509+80	RT	PE	HMA	85	75	36	4		17	
510+35	LT	PE	HMA	75	40	26	3		12	
512+35	LT	PE	HMA	115	70	42	4		19	
512+90	RT	PE	HMA	140	110	56	6		26	
519+35	LT	PE	AGG	95	80	39		3		
522+05	RT	PE	HMA	85	85	38	4		18	
523+95	RT	PE	HMA	80	80	36	4		17	
529+60	RT	CE	AGG	70	65	30		3		
534+60	LT	CE	AGG	60	55	26		2		
537+15	LT	CE	AGG	125	70	44		4		
544+45	LT	PE	HMA	60	45	24	3		11	
557+70	LT	CE	HMA	45	35	18	2		9	
561+90	LT	CE	HMA	75	60	30	3		14	
562+50	LT	CE	HMA	65	55	27	3		13	
565+65	RT	FE	HMA	40	35	17	2		8	
566+45	LT	CE	HMA	100	95	44	5		20	
(JACKSON COUNTY) SUB TOTAL 2							(THIS SHEET)	81	18	356
(JACKSON COUNTY) SUB TOTAL 1								89	7	375
(PERRY COUNTY) SUB TOTAL 2								78	0	328
(PERRY COUNTY) SUB TOTAL 1								52	39	223
IL 4 TOTAL								300	64	1,282

MODEL: Entrance Schedule 4 [Sheet]
FILE NAME: c:\p\work\robert\handy\rd0903066\0978A21-SHE-Sched.iles.dgn

USER NAME = robert.handy	DESIGNED -	REVISED -
PLOT SCALE = 0.16666833 / in.	DRAWN -	REVISED -
PLOT DATE = 12/22/2023	CHECKED -	REVISED -
	DATE -	REVISED -

**STATE OF ILLINOIS
DEPARTMENT OF TRANSPORTATION**

ENTRANCE SCHEDULE

SCALE: 1"=50' SHEET 4 OF 4 SHEETS STA. TO STA.

F.A.P. RTE.	SECTION	COUNTY	TOTAL SHEETS	SHEET NO.
686	(112,113,114)RS-3	PERRY/JACKSON	35	20
CONTRACT NO. 78A21				
ILLINOIS FED. AID PROJECT				

SIDE ROAD SCHEDULE

LOCATION		EXIST. SURFACE	EDGE OF PAVEMENT WIDTH	WIDTH AT 15' OFFSET	ROADWAY AREA	HMA SURFACE REMOVAL - BUTT JOINT	INCIDENTAL HMA SURFACING (3")	BITUMINOUS MATERIAL (TACK COAT)	AGGERATE WEDGE SHLDR, TYPE B	
		FOR INFO PURPOSE ONLY								
		SURFACE	FT	FT	SQ YD	SQ YD	TON	POUND	TON	
(IL 4) PERRY COUNTY										
RT	25+75	COMMUNITY LAKE RD	HMA	100	60	134	134	20	60	
LT	46+77	PYATT CUTLER RD (IL-4 EAST)	HMA	120	45	138	138	21	62	
RT	92+85	LAKE RD	HMA	80	45	105	105	16	47	
RT	93+95	LAKE RD	HMA	60	30	75	75	12	34	
RT	114+86	BROADWAY ST	HMA	80	50	109	109	16	49	
LT	126+25	FREEDOM LN	HMA	50	20	59	59	9	27	
RT	129+90	JEREMIAH ST	HMA	45	25	59	59	9	27	
RT	133+50	RUSSELL ST	HMA	75	30	88	88	13	40	
LT	138+98	SCHOOL ST	HMA	80	40	100	100	15	45	
RT	138+98	SCHOOL ST	HMA	65	40	88	88	13	40	
RT	147+50	KINGSHIGHWAY ST	HMA	65	40	88	88	13	40	
LT	166+65	WHALE RD	HMA	45	25	59	59	9	27	
LT	172+15	WHALE RD	HMA	80	50	109	109	16	49	
RT	182+85	PRONGHORN	HMA	50	30	67	67	10	30	
RT	215+45	BOBCAT RD	HMA	75	35	92	92	14	42	
LT	261+00	TRICO RD	HMA	115	75	159	159	24	72	
(PERRY COUNTY) TOTAL						1,529	230	691		
(IL 4) JACKSON COUNTY										
RT	274+35	POST OAK RD	HMA	70	55	105	105	16	47	
LT	303+55	OHLAU LANE	HMA	65	45	92	92	14	42	
RT	347+83	BRICK PANT RD	HMA	110	70	150	150	23	68	
RT	353+45	N. PLUM RD	HMA	70	55	105	105	16	47	
RT	359+25	PINE ST	HMA	80	45	105	105	16	47	
RT	361+58	ALLEY WAY	HMA	50	20	59	59	9	27	
RT	363+90	CHERRY ST	HMA	80	60	117	117	18	53	
RT	366+20	ALLEY WAY	HMA	50	35	71	71	11	32	
RT	368+40	MAIN ST	HMA	190	140	275	275	41	124	
LT	370+15	LOY SCHOOL RD	HMA	55	35	75	75	12	34	
RT	370+65	ALLEY WAY	HMA	55	35	75	75	12	34	
RT	373+25	TAGGART ST	HMA	60	35	80	80	12	36	
RT	376+33	DEAN ST	HMA	50	30	67	67	10	30	
LT	380+10	SPRING HILL DR	HMA	65	35	84	84	13	38	
RT	427+50	MOUNTAIN VIEW LN	CONC	65	20	71				
RT	428+55	MOUNTAIN VIEW LN	HMA	130	80	175	175	26	79	
LT	458+20	LANGER RD	HMA	140	70	175	175	26	79	
RT	459+65	TANNER RD	HMA	90	65	130	130	19	59	
RT	503+48	TANNER RD	HMA	85	45	109	109	16	49	
LT	522+10	BONNIE RD	AGG	105	50	130			11	
RT	537+55	FUHRHOP RD	HMA	90	50	117	117	18	53	
LT	555+40	BELL LANE	AGG	55	35	75	75	7	34	
(JACKSON COUNTY) TOTAL						2,241	335	1,012	11	
IL-4 (FAP 686) SIDE ROAD TOTAL S						3,770	565	1,703	11	

MODEL: Sideroad Schedule (Sheet)
FILE NAME: c:\pawork\awh\handy\rcd\0903066\0978A21-SHE-Sched.les.dgn

USER NAME = robert.handy	DESIGNED -	REVISED -
	DRAWN -	REVISED -
PLOT SCALE = 0.16666633' / in.	CHECKED -	REVISED -
PLOT DATE = 12/22/2023	DATE -	REVISED -

**STATE OF ILLINOIS
DEPARTMENT OF TRANSPORTATION**

SIDEROAD SCHEDULE

SCALE: 1"=50' SHEET 1 OF 1 SHEETS STA. TO STA.

F.A.P. RTE.	SECTION	COUNTY	TOTAL SHEETS	SHEET NO.
686	(112,113,114)RS-3	PERRY/JACKSON	35	21
CONTRACT NO. 78A21				
ILLINOIS FED. AID PROJECT				

GUARDRAIL SCHEDULE

LOCATION STATION TO STATION	QUAD	GUARDRAIL REMOVAL	VERTICAL ADJUSTMENT GUARDRAIL	REPAIR TRAFFIC BARRIER TERM, TYPE 1 SPECIAL (TANGENT)	TRAFFIC BARRIER TERMINAL, TYPE 1 SPECIAL (TANGENT)	GUARDRAIL REFLECTOR TYPE A	TERMINAL MARKER DIRECT APPLIED	COMMENTS		
				Installation Standard Height (31 7/8")						
		FOOT	FOOT	EACH	EACH	EACH	EACH			
PERRY COUNTY										
STR SN 073-2006 STA 78+95 TO STA 84+25								CENTERLINE STA 81+57		
78+95	TO	83+25	NW / SW	50	430		1	6	1	SW QUAD: DAMAGE TERMINAL BARRIER AND G.R. POST DAMAGE
79+90	TO	84+25	NE / SE		435			6		
(PERRY COUNTY) TOTALS				50	865		1	12	1	
JACKSON COUNTY										
STR SN 039-7031 STA 312+25 TO STA 314+50								CENTERLINE STA 313+71		
312+57	TO	314+35	NW	50	38		1	4	1	DAMAGE END / VERTICAL ADJUSTMENT
312+25	TO	314+50	NE		60			4		VERTICAL ADJUSTMENT
STR SN 039-7029 STA 391+90 TO STA 394+00								CENTERLINE STA 392+84		
392+00	TO	394+00	NW / SW		200		1	6	1	DAMAGE CABLE ASSEMBLY AND BEARING PLATE
391+90	TO	393+90	NE / SE		200			6	1	STEEL NON-CONNECTED POST
STR SN 039-7093 STA 395+25 TO STA 397+80								CENTERLINE 396+36		
395+25	TO	397+80	NE / SE		200			4		VERTICAL ADJUSTMENT
(JACKSON COUNTY) TOTALS				50	698		2	24	3	
IL 4 TOTALS				100	1,563		2	36	4	

MODEL: Guardrail Schedule (Sheet)
 FILE NAME: P:\GIS\Projects\DOT\Office\District 9\ORD Project\78A21\CAD\Drawings\DOT\78A21-SHE-Schedule.dgn

USER NAME = robert.handy	DESIGNED -	REVISED -
PLOT SCALE = 0.16666833' / in.	DRAWN -	REVISED -
PLOT DATE = 1/26/2024	CHECKED -	REVISED -
	DATE -	REVISED -

**STATE OF ILLINOIS
DEPARTMENT OF TRANSPORTATION**

GUARDRAIL SCHEDULE

SCALE: SHEET OF SHEETS STA. TO STA.

F.A.P. RTE.	SECTION	COUNTY	TOTAL SHEETS	SHEET NO.
686	(112,113, 114)RS-3	PERRY/JACKSON	35	22
CONTRACT NO. 78A21				
ILLINOIS FED. AID PROJECT				

CURB GUTTER & PAVED DITCH CLEAN SCHEDULE

LOCATION STATION TO STATION			SECTOR		GUTTERS TO BE CLEANED	CLEANING PAVED DITCH	COMMENTS
PERRY COUNTY							
64+00	TO	67+40	125	100		225	
(PERRY COUNTY) TOTALS						225	
JACKSON COUNTY							
287+50	TO	289+25	20	130		150	
385+15	TO	392+00	525		525		LEFT SIDE CURB GUTTER STATIONS
438+00	TO	439+90	75			75	LEFT SIDE PAVED DITCH STATIONS
439+00	TO	440+30		100		100	RIGHT SIDE PAVED DITCH STATIONS
440+00	TO	441+00		45		45	LEFT SIDE PAVED DITCH STATIONS
488+00	TO	492+00		400		400	RIGHT SIDE PAVED DITCH STATIONS
(JACKSON COUNTY) TOTALS					525	770	
IL 4 TOTALS					525	995	

MODEL: Pave Ditch Schedule (Sheet)
 FILE NAME: P:\GIS\Projects\DOT\Documents\DOT\Office\District 9\ORD Project\78A21\CAD\DrawCAD\Draws\DOT\78A21-SHE-Schedule.dgn

USER NAME = robert.handy DRAWN - PLOT SCALE = 0.16666633' / in. CHECKED - PLOT DATE = 1/26/2024 DATE -	DESIGNED - DRAWN - CHECKED - DATE -	REVISED - REVISED - REVISED - REVISED -	STATE OF ILLINOIS DEPARTMENT OF TRANSPORTATION	PAVED DITCH SCHEDULE	SCALE:	SHEET 1 OF 1 SHEETS STA. TO STA.	<table border="1" style="width: 100%; border-collapse: collapse;"> <tr> <th>F.A.P. RTE.</th> <th>SECTION</th> <th>COUNTY</th> <th>TOTAL SHEETS</th> <th>SHEET NO.</th> </tr> <tr> <td>686</td> <td>(112,113,114)RS-3</td> <td>PERRY/JACKSON</td> <td>35</td> <td>23</td> </tr> <tr> <td colspan="5" style="text-align: center;">CONTRACT NO. 78A21</td> </tr> </table>	F.A.P. RTE.	SECTION	COUNTY	TOTAL SHEETS	SHEET NO.	686	(112,113,114)RS-3	PERRY/JACKSON	35	23	CONTRACT NO. 78A21				
F.A.P. RTE.	SECTION	COUNTY	TOTAL SHEETS	SHEET NO.																		
686	(112,113,114)RS-3	PERRY/JACKSON	35	23																		
CONTRACT NO. 78A21																						
						ILLINOIS FED. AID PROJECT																

NORTHBOUND PERRY COUNTY PAVEMENT PATCHING

STA	L	W	AREA	CLASS C PATCHES, TYPE I, 13 INCH (SQ YD)	CLASS C PATCHES, TYPE II, 13 INCH (SQ YD)	CLASS C PATCHES, TYPE III, 13 INCH (SQ YD)	CLASS C PATCHES, TYPE IV, 13 INCH (SQ YD)
	FT	FT	SQ YD				
PERRY COUNTY							
CONCRETE PAVEMENT							
6+75.	9	12	12.00		12.0		
6+16.	6	12	8.00		0.0		
5+69.	6	12	8.00		8.0		
3+23.	6	12	8.00		8.0		
8+78.	6	12	8.00		8.0		
1+25.	15	12	20.00			20.0	
+5.	14	12	18.67			18.7	
ASPHALT PAVEMENT							
+29.	4	13	5.78		5.8		
2+69.	6	13	8.67		8.7		
8+00.	10	13	14.44		14.4		
11+00.	25	6	16.67			16.7	
11+90.	4	13	5.78		5.8		
16+50.	14	13	20.22			20.2	
16+98.	7	13	10.11		10.1		
17+52.	4	13	5.78		5.8		
18+55.	4	13	5.78		5.8		
19+13.	5	13	7.22		7.2		
19+62.	8	13	11.56		11.6		
21+58.	8	6	5.33		5.3		
21+77.	6	6	4.00	4.0			
21+87.	5	13	7.22		7.2		
38+44.	4	13	5.78		5.8		
46+78.	20	6	13.33		13.3		
64+87.	6	13	8.67		8.7		
66+84.	4	13	5.78		5.8		
67+46.	4	13	5.78		5.8		
69+05.	4	13	5.78		5.8		
80+95.	26	13	37.56				37.6
81+08.	7	13	10.11		10.1		
81+85.	11	13	15.89			15.9	
82+10.	6	13	8.67		8.7		
83+31.	4	13	5.78		5.8		
84+34.	4	13	5.78		5.8		
107+49.	4	13	5.78		5.8		
109+03.	4	13	5.78		5.8		
109+26.	4	13	5.78		5.8		
114+07.	6	13	8.67		8.7		
119+09.	6	13	8.67		8.7		
119+79.	6	13	8.67		8.7		
120+66.	6	13	8.67		8.7		
136+41.	4	13	5.78		5.8		
137+13.	6	13	8.67		8.7		
141+78.	4	13	5.78		5.8		
NB PERRY CO SUBTOTAL 1				4	280	92	38

NORTHBOUND PERRY COUNTY PAVEMENT PATCHING CONT

STA	L	W	AREA	CLASS C PATCHES, TYPE I, 13 INCH (SQ YD)	CLASS C PATCHES, TYPE II, 13 INCH (SQ YD)	CLASS C PATCHES, TYPE III, 13 INCH (SQ YD)	CLASS C PATCHES, TYPE IV, 13 INCH (SQ YD)
	FT	FT	SQ YD				
PERRY COUNTY							
161+80.	7	13	10.11		10.1		
161+94.	6	13	8.67		8.7		
162+88.	10	13	14.44		14.4		
163+54.	6	13	8.67		8.7		
164+59.	6	13	8.67		8.7		
184+32.	6	13	8.67		8.7		
189+01.	6	13	8.67		8.7		
224+14.	4	13	5.78		5.8		
225+66.	6	13	8.67		8.7		
226+90.	6	13	8.67		8.7		
230+97.	5	13	7.22		7.2		
240+91.	5	13	7.22		7.2		
258+50.	6	13	8.67		8.7		
NB PERRY CO SUBTOTAL 2					115		

MODEL: Patching Pavement Schedule (Sheet)
 FILE NAME: P:\GIS\Projects\DOT\Office\DOT\Projects\78A21\CAD\Drawings\DOT\78A21-SHE-Schedule.dgn

USER NAME = robert.handy	DESIGNED -	REVISED -
PLOT SCALE = 0.16666633 / in.	DRAWN -	REVISED -
PLOT DATE = 1/26/2024	CHECKED -	REVISED -
	DATE -	REVISED -

**STATE OF ILLINOIS
DEPARTMENT OF TRANSPORTATION**

PAVEMENT PATCHING NORTHBOUND PERRY COUNTY			
SCALE:	SHEET 1	OF 4 SHEETS	STA. TO STA.

F.A.P. RTE.	SECTION	COUNTY	TOTAL SHEETS	SHEET NO.
686	(112,113, 114)RS-3	PERRY/JACKSON	35	24
CONTRACT NO. 78A21				
ILLINOIS FED. AID PROJECT				

SOUTHBOUND PERRY COUNTY PAVEMENT PATCHING CONT

STA	L	W	AREA	CLASS C PATCHES, TYPE I, 13 INCH (SQ YD)	CLASS C PATCHES, TYPE II, 13 INCH (SQ YD)	CLASS C PATCHES, TYPE III, 13 INCH (SQ YD)	CLASS C PATCHES, TYPE IV, 13 INCH (SQ YD)
	FT	FT	SQ YD				
PERRY COUNTY							
CONCRETE PAVEMENT							
7+40.	6	6	4.00	4.0			
6+90.	23	6	15.33			15.3	
6+75.	9	12	12.00		12.0		
6+41.	6	6	4.00	4.0			
6+16.	6	12	8.00		8.0		
5+69.	6	12	8.00		8.0		
3+23.	6	12	8.00		8.0		
8+78.	6	12	8.00		8.0		
2+60.	18	12	24.00			24.0	
+5.	14	12	18.67			18.7	
ASPHALT PAVEMENT							
+29.	4	13	5.78		5.8		
1+07.	16	13	23.11			23.1	
2+69.	6	13	8.67		8.7		
8+00.	10	13	14.44		14.4		
8+87.	4	13	5.78		5.8		
13+07.	15	6	10.00		10.0		
15+31.	8	6	5.33		5.3		
16+50.	14	13	20.22			20.2	
16+98.	7	13	10.11		10.1		
17+52.	6	13	8.67		8.7		
18+55.	4	13	5.78		5.8		
19+13.	4	13	5.78		5.8		
19+62.	12	13	17.33			17.3	
22+79.	6	6	4.00	4.0			
24+58.	13	6	8.67		8.7		
26+09.	4	13	5.78		5.8		
38+44.	6	13	8.67		8.7		
48+67.	4	13	5.78		5.8		
57+50.	4	13	5.78		5.8		
61+18.	4	13	5.78		5.8		
63+10.	8	6	5.33		5.3		
64+31.	52	6	34.67				34.7
64+87.	6	13	8.67		8.7		
64+90.	60	6	40.00				40.0
66+84.	4	13	5.78		5.8		
67+46.	4	13	5.78		5.8		
69+05.	4	13	5.78		5.8		
81+97.	26	13	37.56				37.6
83+31.	4	13	5.78		5.8		
84+39.	4	13	5.78		5.8		
86+90.	22	6	14.67		14.7		
107+49.	4	13	5.78		5.8		
109+03.	4	13	5.78		5.8		
SB PERRY CO SUBTOTAL 3				12	235	119	113

SOUTHBOUND PERRY COUNTY PAVEMENT PATCHING CONT

STA	L	W	AREA	CLASS C PATCHES, TYPE I, 13 INCH (SQ YD)	CLASS C PATCHES, TYPE II, 13 INCH (SQ YD)	CLASS C PATCHES, TYPE III, 13 INCH (SQ YD)	CLASS C PATCHES, TYPE IV, 13 INCH (SQ YD)
	FT	FT	SQ YD				
PERRY COUNTY							
109+26.	4	13	5.78		5.8		
110+14.	4	13	5.78		5.8		
111+04.	4	13	5.78		5.8		
112+96.	4	13	5.78		5.8		
114+07.	6	13	8.67		8.7		
115+70.	6	13	8.67		8.7		
117+54.	6	13	8.67		8.7		
119+79.	6	13	8.67		8.7		
120+66.	6	13	8.67		8.7		
136+41.	6	13	8.67		8.7		
137+13.	6	13	8.67		8.7		
139+79.	4	13	5.78		5.8		
140+34.	4	13	5.78		5.8		
141+76.	6	13	8.67		8.7		
160+18.	7	13	10.11		10.1		
161+63.	8	13	11.56		11.6		
161+80.	7	13	10.11		10.1		
161+94.	6	13	8.67		8.7		
162+88.	6	13	8.67		8.7		
163+54.	14	13	20.22			20.2	
164+29.	6	13	8.67		8.7		
164+42.	6	13	8.67		8.7		
164+59.	6	13	8.67		8.7		
171+86.	6	13	8.67		8.7		
178+78.	6	13	8.67		8.7		
180+15.	6	13	8.67		8.7		
183+39.	4	13	5.78		5.8		
184+32.	6	13	8.67		8.7		
184+65.	6	13	8.67		8.7		
189+01.	6	13	8.67		8.7		
197+32.	4	13	5.78		5.8		
198+17.	6	13	8.67		8.7		
201+18.	6	13	8.67		8.7		
211+14.	4	13	5.78		5.8		
211+26.	4	13	5.78		5.8		
219+78.	6	13	8.67		8.7		
220+49.	6	13	8.67		8.7		
221+97.	10	13	14.44		14.4		
224+14.	4	13	5.78		5.8		
225+66.	6	13	8.67		8.7		
225+91.	6	13	8.67		8.7		
226+90.	6	13	8.67		8.7		
228+02.	4	13	5.78		5.8		
240+91.	5	13	7.22		7.2		
258+50.	6	13	8.67		8.7		
258+84.	6	13	8.67		8.7		
SB PERRY CO SUBTOTAL 4				367	21		

MODEL: Patching Pavement Schedule (Sheet)
 FILE NAME: P:\GIS\Projects\DOT\Office\DOT\Documents\DOT\Office\DOT\Projects\78A21\CAD\Drawings\DOT\78A21-SB-Patching.dwg

USER NAME = robert.handy	DESIGNED -	REVISED -
PLOT SCALE = 0.16666833 / in.	DRAWN -	REVISED -
PLOT DATE = 1/26/2024	CHECKED -	REVISED -
	DATE -	REVISED -

**STATE OF ILLINOIS
DEPARTMENT OF TRANSPORTATION**

PAVEMENT PATCHING SOUTHBOUND PERRY COUNTY			
SCALE:	SHEET 2	OF 4 SHEETS	STA. TO STA.

F.A.P. RTE.	SECTION	COUNTY	TOTAL SHEETS	SHEET NO.
686	(112,113, 114)RS-3	PERRY/JACKSON	35	25
CONTRACT NO. 78A21				
ILLINOIS FED. AID PROJECT				

SOUTHBOUND JACKSON COUNTY PAVEMENT PATCHING CONT

STA	L	W	AREA	CLASS C PATCHES, TYPE I, 13 INCH (SQ YD)	CLASS C PATCHES, TYPE II, 13 INCH (SQ YD)	CLASS C PATCHES, TYPE III, 13 INCH (SQ YD)	CLASS C PATCHES, TYPE IV, 13 INCH (SQ YD)
	FT	FT	SQ YD				
JACKSON COUNTY							
263+22.	4	13	5.78		5.8		
263+44.	4	13	5.70		5.8		
263+72.	6	13	8.67		8.7		
264+25.	4	13	5.78		5.8		
265+64.	6	13	8.67		8.7		
266+01.	6	13	8.67		8.7		
266+48.	4	13	5.78		5.8		
267+13.	6	13	8.67		8.7		
267+44.	6	13	8.67		8.7		
268+00.	6	13	8.67		8.7		
268+79.	4	13	5.78		5.8		
268+91.	4	13	5.78		5.8		
271+80.	6	13	8.67		8.7		
272+94.	6	13	8.67		8.7		
275+45.	4	13	5.78		5.8		
275+62.	6	13	8.67		8.7		
281+72.	4	13	5.78		5.8		
282+67.	4	13	5.78		5.8		
284+65.	4	13	5.78		5.8		
288+29.	4	13	5.78		5.8		
289+23.	6	13	8.67		8.7		
293+71.	6	13	8.67		8.7		
295+35.	4	13	5.78		5.8		
301+01.	4	13	5.78		5.8		
309+47.	6	13	8.67		8.7		
322+06.	6	13	8.67		8.7		
329+20.	4	13	5.78		5.8		
329+84.	6	13	8.67		8.7		
330+75.	4	13	5.78		5.8		
334+34.	6	13	8.67		8.7		
338+32.	4	13	5.78		5.8		
339+55.	4	13	5.70		5.8		
340+49.	5	13	7.22		7.2		
357+51.	4	13	5.78		5.8		
363+58.	4	13	5.78		5.8		
364+54.	4	13	5.78		5.8		
365+83.	4	13	5.78		5.8		
376+64.	6	13	8.67		8.7		
379+19.	4	13	5.78		5.8		
389+64.	5	13	7.22		7.2		
397+25.	6	13	8.67		8.7		
400+36.	4	13	5.78		5.8		
424+47.	4	13	5.78		5.8		
427+70.	4	13	5.78		5.8		
SB JACKSON CO SUBTOTAL 1					308		

SOUTHBOUND JACKSON COUNTY PAVEMENT PATCHING CONT

STA	L	W	AREA	CLASS C PATCHES, TYPE I, 13 INCH (SQ YD)	CLASS C PATCHES, TYPE II, 13 INCH (SQ YD)	CLASS C PATCHES, TYPE III, 13 INCH (SQ YD)	CLASS C PATCHES, TYPE IV, 13 INCH (SQ YD)
	FT	FT	SQ YD				
JACKSON COUNTY							
428+04.	4	13	5.78		5.8		
428+90.	4	13	5.78		5.8		
431+46.	4	13	5.78		5.8		
433+45.	4	13	5.78		5.8		
434+48.	4	13	5.78		5.8		
435+18.	6	13	8.67		8.7		
435+48.	5	13	7.22		7.2		
444+37.	4	13	5.78		5.8		
450+96.	5	13	7.22		7.2		
462+38.	4	13	5.78		5.8		
463+11.	4	13	5.78		5.8		
465+61.	4	13	5.78		5.8		
467+82.	5	13	7.22		7.2		
469+44.	5	13	7.22		7.2		
486+63.	4	13	5.78		5.8		
490+26.	4	13	5.78		5.8		
491+28.	4	13	5.78		5.8		
493+86.	5	13	7.22		7.2		
505+36.	4	13	5.78		5.8		
506+70.	4	13	5.78		5.8		
541+41.	5	13	7.22		7.2		
542+22.	4	13	5.78		5.8		
545+19.	4	13	5.78		5.8		
546+71.	4	13	5.78		5.8		
548+17.	4	13	5.78		5.8		
549+88.	4	13	5.78		5.8		
550+52.	4	13	5.78		5.8		
558+26.	4	13	5.78		5.8		
569+88.	4	13	5.78		5.8		
SB JACKSON CO SUBTOTAL 2					180		

MODEL: Patching Pavement Schedule (Sheet)
 FILE NAME: P:\GIS\Projects\78A21\DOT\Documents\DOT Office\Drawings\78A21\78A21-SB-Patching.dwg

USER NAME = robert.handy	DESIGNED -	REVISED -
PLOT SCALE = 0.16666633 / in.	DRAWN -	REVISED -
PLOT DATE = 1/26/2024	CHECKED -	REVISED -
	DATE -	REVISED -

**STATE OF ILLINOIS
DEPARTMENT OF TRANSPORTATION**

PAVEMENT PATCHING SOUTHBOUND JACKSON COUNTY			
SCALE:	SHEET 3	OF 4 SHEETS	STA. TO STA.

F.A.P. RTE.	SECTION	COUNTY	TOTAL SHEETS	SHEET NO.
686	(112,113, 114)RS-3	PERRY/JACKSON	35	26
CONTRACT NO. 78A21				
ILLINOIS FED. AID PROJECT				

NORTHBOUND JACKSON COUNTY PAVEMENT PATCHING CONT

STA	L	W	AREA	CLASS C PATCHES, TYPE I, 13 INCH (SQ YD)	CLASS C PATCHES, TYPE II, 13 INCH (SQ YD)	CLASS C PATCHES, TYPE III, 13 INCH (SQ YD)	CLASS C PATCHES, TYPE IV, 13 INCH (SQ YD)
	FT	FT	SQ YD				
JACKSON COUNTY							
263+22.	4	13	5.78		5.8		
263+44.	4	13	5.78		5.8		
264+62.	4	13	5.78		5.8		
265+64.	6	13	8.67		8.7		
266+01.	6	13	8.67		8.7		
266+33.	4	13	5.78		5.8		
266+48.	6	13	8.67		8.7		
266+76.	4	13	5.78		5.8		
267+13.	6	13	8.67		8.7		
267+44.	6	13	8.67		8.7		
268+00.	6	13	8.67		8.7		
268+79.	6	13	8.67		8.7		
271+80.	4	13	5.78		5.8		
275+62.	6	13	8.67		8.7		
279+74.	4	13	5.78		5.8		
282+67.	4	13	5.78		5.8		
284+65.	4	13	5.78		5.8		
288+29.	4	13	5.78		5.8		
301+01.	4	13	5.78		5.8		
309+47.	4	13	5.78		5.8		
340+36.	4	13	5.78		5.8		
364+54.	4	13	5.78		5.8		
379+19.	4	13	5.78		5.8		
424+47.	4	13	5.78		5.8		
427+70.	4	13	5.78		5.8		
428+90.	4	13	5.78		5.8		
431+46.	4	13	5.78		5.8		
433+45.	4	13	5.78		5.8		
434+48.	4	13	5.78		5.8		
435+18.	6	13	8.67		8.7		
435+18.	5	13	7.22		7.2		
452+53.	4	13	5.78		5.8		
462+45.	8	13	11.56		11.6		
488+46.	4	13	5.78		5.8		
489+47.	4	13	5.78		5.8		
490+26.	4	13	5.78		5.8		
490+77.	4	13	5.78		5.8		
491+28.	4	13	5.78		5.8		
505+36.	4	13	5.78		5.8		
506+70.	4	13	5.78		5.8		
519+40.	4	13	5.78		5.8		
522+26.	4	13	5.78		5.8		
524+06.	5	13	7.22		7.2		
NB JACKSON CO SUBTOTAL 3					285		

NORTHBOUND JACKSON COUNTY PAVEMENT PATCHING CONT

STA	L	W	AREA	CLASS C PATCHES, TYPE I, 13 INCH (SQ YD)	CLASS C PATCHES, TYPE II, 13 INCH (SQ YD)	CLASS C PATCHES, TYPE III, 13 INCH (SQ YD)	CLASS C PATCHES, TYPE IV, 13 INCH (SQ YD)
	FT	FT	SQ YD				
JACKSON COUNTY							
527+67.	4	13	5.78		5.8		
545+19.	4	13	5.78		5.8		
547+27.	4	13	5.78		5.8		
549+49.	6	13	8.67		8.7		
550+52.	4	13	5.78		5.8		
569+98.	8	13	11.56		11.6		
NB JACKSON CO SUBTOTAL 4					44		

IL 4 PAVEMENT PATCHING TOTALS

COUNTY	CLASS C PATCHES, TYPE I, 13 INCH (SQ YD)	CLASS C PATCHES, TYPE II, 13 INCH (SQ YD)	CLASS C PATCHES, TYPE III, 13 INCH (SQ YD)	CLASS C PATCHES, TYPE IV, 13 INCH (SQ YD)
PERRY COUNTY				
NORTHBOUND PERRY CO SUBTOTAL 1	4	280	92	38
NORTHBOUND PERRY CO SUBTOTAL 2		115		
SOUTHBOUND PERRY CO SUBTOTAL 3	12	235	119	113
SOUTHBOUND PERRY CO SUBTOTAL 4		367	21	
PERRY COUNTY TOTALS	16	997	232	151
JACKSON COUNTY				
NORTHBOUND JACKSON CO SUBTOTAL 3		285		
NORTHBOUND JACKSON CO SUBTOTAL 4		44		
SOUTHBOUND JACKSON CO SUBTOTAL 1		308		
SOUTHBOUND JACKSON CO SUBTOTAL 2		180		
JACKSON COUNTY TOTALS		817		
IL4 (FAP 686) TOTALS	16	1,814	232	151

MODEL: Patching Pavement Schedule (Sheet)
 FILE NAME: P:\GIS\Projects\DOT\DOT\Documents\DOT\Office\Direct\9090\Project\78A21\CAD\DrawCAD\Drawings\DOT\78A21-SHE-Schedule.dwg

USER NAME = robert.handy	DESIGNED -	REVISED -
PLOT SCALE = 0.16666633 / in.	DRAWN -	REVISED -
PLOT DATE = 1/26/2024	CHECKED -	REVISED -
	DATE -	REVISED -

**STATE OF ILLINOIS
DEPARTMENT OF TRANSPORTATION**

PAVEMENT PATCHING & PATCHING TOTALS
SOUTHBOUND JACKSON COUNTY

SCALE: SHEET 4 OF 4 SHEETS STA. TO STA.

F.A.P. RTE.	SECTION	COUNTY	TOTAL SHEETS	SHEET NO.
686	(112,113, 114)RS-3	PERRY/JACKSON	35	27
CONTRACT NO. 78A21				
ILLINOIS FED. AID PROJECT				

IL 4 RRPM SCHEDULE

LOCATION STATION TO STATION	LENGTH (INFORMATION ONLY)	RAISED REFLECTIVE PVMT MARKERS TWO-WAY AMBER	RAISED REFLECTIVE PAVEMENT MARKER REMOVAL	NOTES
IL 4	FEET	EACH	EACH	
PERRY COUNTY				
-7+47 TO 89+42	9,689	122	122	Straight Section
89+42 TO 99+15	973	13	13	Curve Section
99+15 TO 122+31	2,316	29	29	Straight Section
122+31 TO 131+03	872	22	22	Curve Section
STA EQ 131+03.00 BK = STA. 131+67.30 AH				
131+03 TO 150+58	1,955	25	25	Straight Section
150+58 TO 159+50	892	23	23	Curve Section
STA EQ 159+49.90 BK = STA. 159+55.50 AH				
159+55 TO 168+17	862	11	11	Straight Section
168+17 TO 177+53	936	24	24	Curve Section
177+53 TO 201+44	2,391	30	30	Straight Section
201+44 TO 207+68	624	16	16	Curve Section
207+68 TO 261+00	5,332	67	67	Straight Section
TOTALS (PERRY COUNTY)		382	382	
JACKSON COUNTY				
261+00 TO 344+40	8,340	105	105	Straight Section
344+40 TO 353+26	886	23	23	Curve Section
353+26 TO 364+41	1,115	14	14	Straight Section
364+41 TO 378+97	1,456	37	37	Curve Section
STA EQ 378+97.40 BK = STA. 378+98.70 AH				
378+98 TO 440+41	6,143	77	77	Straight Section
440+41 TO 449+50	909	23	23	Curve Section
449+50 TO 474+17	2,467	31	31	Straight Section
474+17 TO 483+34	917	23	23	Curve Section
483+34 TO 562+89	7,955	100	100	Straight Section
562+89 TO 573+90	1,101	28	28	Curve Section
573+90 TO 570+80	310	4	4	Straight Section
TOTALS (JACKSON COUNTY)		465	465	
TOTALS (IL 4)		847	847	

MODEL: RRPM Schedule-5 (Sheet)
FILE NAME: P:\GIS\Projects\RRPM\DOT\Documents\DOT\Office\District 9\RRPM\Project\78A21\CAD\DrawCAD\Drawings\DOT\78A21-SRPM-Schedule.dgn

USER NAME = robert.handy	DESIGNED -	REVISED -	
	DRAWN -	REVISED -	
PLOT SCALE = 0.16666833' / in.	CHECKED -	REVISED -	
PLOT DATE = 1/26/2024	DATE -	REVISED -	

**STATE OF ILLINOIS
DEPARTMENT OF TRANSPORTATION**

RAISE REFLECTIVE MARKER SCHEDULE

SCALE: SHEET 1 OF 1 SHEETS STA. TO STA.

F.A.P. RTE.	SECTION	COUNTY	TOTAL SHEETS	SHEET NO.
686	(112,113, 114)RS-3	PERRY/JACKSON	35	28
CONTRACT NO. 78A21				
ILLINOIS FED. AID PROJECT				

IL 4 PAVEMENT MARKING SCHEDULE

LOCATION STATION TO STATION	LENGTH (INFO. ONLY)	PAINT PAVEMENT MARK LINE							GROOVING FOR RECESSED PAVEMENT MARKING 5"	GROOVING FOR RECESSED PAVEMENT MARKING 25"	NOTES	
		PAINT CURB	LINE 4"				LINE 24"	LETTERS & SYMBOLS				
			EOP LT & RT	LEFT OF CL	CENTER LINE	RIGHT OF CL	STOP BAR					
			SOLID WHITE	SOLID YELLOW	SKIP-DASH YELLOW	SOLID YELLOW	SOLID WHITE					SOLID WHITE
FOOT	FOOT	FOOT	FOOT	FOOT	FOOT	FOOT	SQ FT	FOOT	FOOT			
IL 4 (PERRY)												
-7+47 TO 28+65	3,612	140	5,730		717					1,691	15	PAVEMENT MARKING REMOVAL - GRINDING THERMOPLASTIC PAVEMENT MARKING 1691 FT
28+65 TO 36+58	793		1,586		199	793	13	114				RAILROAD CROSSING
36+58 TO 36+67	GAP RAILROAD CROSSING											
36+67 TO 73+05	3,638		7,276	3,638		3,638	13	114				RAILROAD CROSSING
73+05 TO 81+43	838		1,676	838	210							
81+43 TO 82+75	132		264	132		132						
82+75 TO 91+70	895		1,790		224	895						
91+70 TO 95+72	402		004	402		402						
95+72 TO 107+70	1,198		2,396	1,198	300							
107+70 TO 112+10	440		880		110							
112+10 TO 122+31	1,021		2,042		256	1,021						
122+31 TO 128+35	604		1,208	604		604						
128+35 TO 131+03	268		536	268	67							
STA EQ 131+03.00 BK = STA. 131+67.30 AH												
131+67 TO 131+75	8		16	8	2							
131+75 TO 142+77	1,102		2,204		276							
142+77 TO 152+70	993		1,986		249	993						
152+70 TO 157+45	475		950	475		475						
157+45 TO 159+49	204		408	204	51							
STA EQ 159+49.90 BK = STA. 159+55.50 AH												
159+55 TO 165+85	630		1,260	630	158							
165+85 TO 189+65	2,380		4,760		595							
189+65 TO 205+50	1,585		3,170		397	1,585						
205+50 TO 207+65	215		430		54							
207+65 TO 216+05	840		1,680	840	210							
216+05 TO 223+30	725		1,450		182							
223+30 TO 234+10	1,080		2,160		270	1,080						
234+10 TO 241+30	720		1,440	720		720						
241+30 TO 250+85	955		1,910	955	239							
250+85 TO 261+00	1,015		2,030		254							
IL 4 (PERRY) TOTALS		140	52,042	10,912	5,020	12,338	26	228	1,691	15		
IL 4 (JACKSON)												
261+00 TO 276+85	1,585		3,170		397							
276+85 TO 286+65	980		1,960		245	980						
286+65 TO 296+00	935		1,870	935		935						
296+00 TO 305+65	965		1,930	965	242							
305+65 TO 323+90	1,825		3,650		457							
323+90 TO 334+75	1,085		2,170		272	1,085						
IL 4 (JACKSON) SUB TOTAL 1			14,750	1,900	1,613	3,000						

MODEL: Pavement Marking Schedule (Sheet)
 FILE NAME: P:\Projects\78A21\78A21\DOT\Documents\DOT\Office\District 9\CRD\Projects\78A21\CADData\CAD\Drawings\DOT\78A21-SHE-Schedule.dwg

USER NAME = robert.handy	DESIGNED -	REVISED -
PLOT SCALE = 0.16666833' / in.	DRAWN -	REVISED -
PLOT DATE = 3/7/2024	CHECKED -	REVISED -
	DATE -	REVISED -

STATE OF ILLINOIS
DEPARTMENT OF TRANSPORTATION

PAVEMENT MARKING SCHEDULE			
SCALE:	SHEET 1	OF 2	SHEETS
	STA.		TO STA.

F.A.P. RTE.	SECTION	COUNTY	TOTAL SHEETS	SHEET NO.
686	(112.113, 114)RS-3	PERRY/JACKSON	35	29
CONTRACT NO. 78A21				
ILLINOIS FED. AID PROJECT				

IL 4 PAVEMENT MARKING SCHEDULE CONT

LOCATION STATION TO STATION	LENGTH (INFO. ONLY)	PAINT PAVEMENT MARK LINE							GROOVING FOR RECESSED PAVEMENT MARKING 5"	GROOVING FOR RECESSED PAVEMENT MARKING 25"	NOTES
		PAINT CURB	LINE 4"				LINE 24"	LETTERS & SYMBOLS			
			EOP LT & RT	LEFT OF CL	CENTER LINE	RIGHT OF CL	STOP BAR				
			SOLID WHITE	SOLID WHITE	SOLID YELLOW	SKIP-DA SH YELLOW	SOLID YELLOW				
FOOT	FOOT	FOOT	FOOT	FOOT	FOOT	FOOT	FOOT	FOOT			
IL 4 (JACKSON)											
334+75	TO	350+05	1,530		3,060	1,530		1,530			
350+05	TO	357+00	695		1,390	695	174				
357+00	TO	377+80	2,080		4,160		520				
377+80	TO	378+97	117		234		30	117			
STA EQ 378+97.40 BK = STA. 378+98.70 AH											
378+98	TO	383+10	412		824		103	412			
383+10	TO	385+55	245		490		62				
385+55	TO	393+70	815		1,630	815	204				
393+70	TO	416+40	2,270		4,540		568				
416+40	TO	426+70	1,030		2,060		258	1,030			
426+70	TO	446+30	1,960		3,920	1,960		1,960			
446+30	TO	456+50	1,020		2,040	1,020	255				
456+50	TO	460+50	400		800		100				
460+50	TO	471+10	1,060		2,120		285	1,060			
471+10	TO	480+70	960		1,920	960		960			
480+70	TO	489+60	890		1,780	890	223				
489+60	TO	492+45	285		570		72				
492+45	TO	501+00	855		1,710		214	855			
501+00	TO	510+45	945		1,890	945		945			
510+45	TO	521+00	1,055		2,110	1,055	264				
521+00	TO	551+70	3,070		6,140		788				
551+70	TO	557+93	623		1,246		158	623			
STA EQ 557+93.00 BK = STA. 558+00.00 AH											
558+00	TO	562+40	440		880		110	440			
562+40	TO	570+80	840		1,680	840		840			
IL 4 (PERRY) TOTALS			140	52,042	10,912	5,020	12,338	26	228	1,691	15
IL 4 (JACKSON) SUB TOTAL 1 (SHEET 29)				14,750	1,900	1,613	3,000				
IL 4 (JACKSON) SUB TOTAL (THIS SHEET)				47,194	10,710	4,346	10,772				
IL 4 (JACKSON) TOTALS				61,944	12,610	5,959	13,772				
IL 4 TOTALS			140	113,986	23,522	10,979	26,110	26	228	1,691	15

MODEL: Pavement Marking Schedule (Sheet 2) (Sheet 4)
 FILE NAME: P:\Projects\2024\IL4\DOT\Documents\DOT\Office\District 9\CRD\Project\98431\CAD\Drawings\DOT\98431-SHE-Schedule.dgn

USER NAME = robert.handy	DESIGNED -	REVISED -
PLOT SCALE = 0.16666833' / in.	DRAWN -	REVISED -
PLOT DATE = 3/7/2024	CHECKED -	REVISED -
	DATE -	REVISED -

**STATE OF ILLINOIS
DEPARTMENT OF TRANSPORTATION**

PAVEMENT MARKING SCHEDULE

SCALE: SHEET 2 OF 2 SHEETS STA. TO STA.

F.A.P. RTE.	SECTION	COUNTY	TOTAL SHEETS	SHEET NO.
686	(112,113,114)RS-3	PERRY/JACKSON	35	30
CONTRACT NO. 78A21				
ILLINOIS FED. AID PROJECT				

PAVEMENT CORE SUMMARY

Illinois Department of Transportation

District 9

Route: IL 4 (FAP 686) Contract No: 78A21
 Section: (112,113,114) RS-3 Job No: _____
 County: JACKSON / PERRY Date: 10/30/2023

Core No.	M.P.	Direction	Core Offset	Thickness [in.]						HMA Condition	Concrete Condition	Station	Notes
				Meas. Hole Depth	Cores				Total				
					SC HMA	Remaining HMA	Concrete	BAM					
1	4.5	SB	7'	13"	1 1/2"	4 5/8"	7 3/4"		13 7/8"		Broken	Perry County	
2	3.5	SB	8'	12"	1 3/4"	6 1/2"	UKN		8 1/4"		Broken	Perry County	
3	2.5	SB	5.5'	14 1/2"	2 1/4"	5 1/2"	6 3/4"		14 1/2"			Perry County	
4	1.5	SB	6.5'	12"	2"	3"	6 5/8"		11 5/8"			Perry County	
5	0.7	SB	5.5'	13"	2 1/8"	3"	8"		13 1/8"	Broken		Perry County	
6	5.5	SB	4'	10"	2 1/4"	1 3/4"	6 1/4"		10 1/4"			274+75 Jackson County	
7	4.5	SB	8'	13"	2 3/4"	4 1/4"	7 3/4"		14 3/4"			328+35 Jackson County	
8	3.5	SB	7.5'	13"	2 1/4"	4 5/8"	6 1/2"		13 3/8"			380+85 Jackson County	
9	2.5	SB	7'	9 1/2"	2 1/8"	1 7/8"	6"		10"			433+80 Jackson County	
10	1.5	SB	6.5'	9"	2 1/2"	1 1/8"	5 1/2"		9 1/8"		Large Holes	Jackson County	
11	0.5	SB	6'	13"	2 1/8"	5"	6 1/2"		13 5/8"			Jackson County	
12	0	NB	6'	12"	1"	4 5/8" +	4" +		9 5/8"	Broken	Broken	Jackson County	
13	1	NB	8'	15"	2"	9 1/2" +	9 1/4" +		20 3/4"	Diameter Cut In Half	Diameter Cut In Half	Jackson County	
14	2	NB	6.5'	9 1/2"	2"	1 1/2"	6 1/4"		9 3/4"			Jackson County	
15	3	NB	10'	16"	2"	NONE	14"		16"		Broken	407+00 Jackson County	
16	4	NB	6'	12 3/4"	2 1/8"	4 3/4"	6"		12 7/8"			353+95 Jackson County	
17	5	NB	6'	15"	2"	5 1/8"	8 3/4"		15 7/8"			301+40 Jackson County	
18	0.2	NB	7'	14"	2 1/4"	4 1/2"	7"		13 3/4"			247+60 Perry County	
19	1	NB	6'	15"	2 1/2"	7 3/4"	6"		16 1/4"			Perry County	
20	2	NB	6'	14 1/2"	2 1/4"	6"	6 1/2"		14 3/4"			Perry County	
21	3	NB	5'	14"	2 1/2" +	5" +	3 1/4" +		10 3/4"	Broken	Broken	Perry County	
22	4	NB	10'	19"	1 1/2"	5 1/2"	3 1/4" +		10 1/4"			Perry County	
23	4.8	NB	6'	12"	2"	2 3/4"	7 1/4"		12"			Perry County	

MODEL: Pavement Core (Sheet)
 FILE NAME: P:\GIS\Projects\DOT\Office\District 9\ORD Project\78A21\CAD\Drawings\DOT78A21-SHE-Summary.dwg

USER NAME = robert.handy	DESIGNED -	REVISED -
PLOT SCALE = 0.16666833 / in.	DRAWN -	REVISED -
PLOT DATE = 1/26/2024	CHECKED -	REVISED -
	DATE -	REVISED -

**STATE OF ILLINOIS
DEPARTMENT OF TRANSPORTATION**

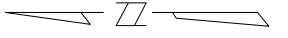
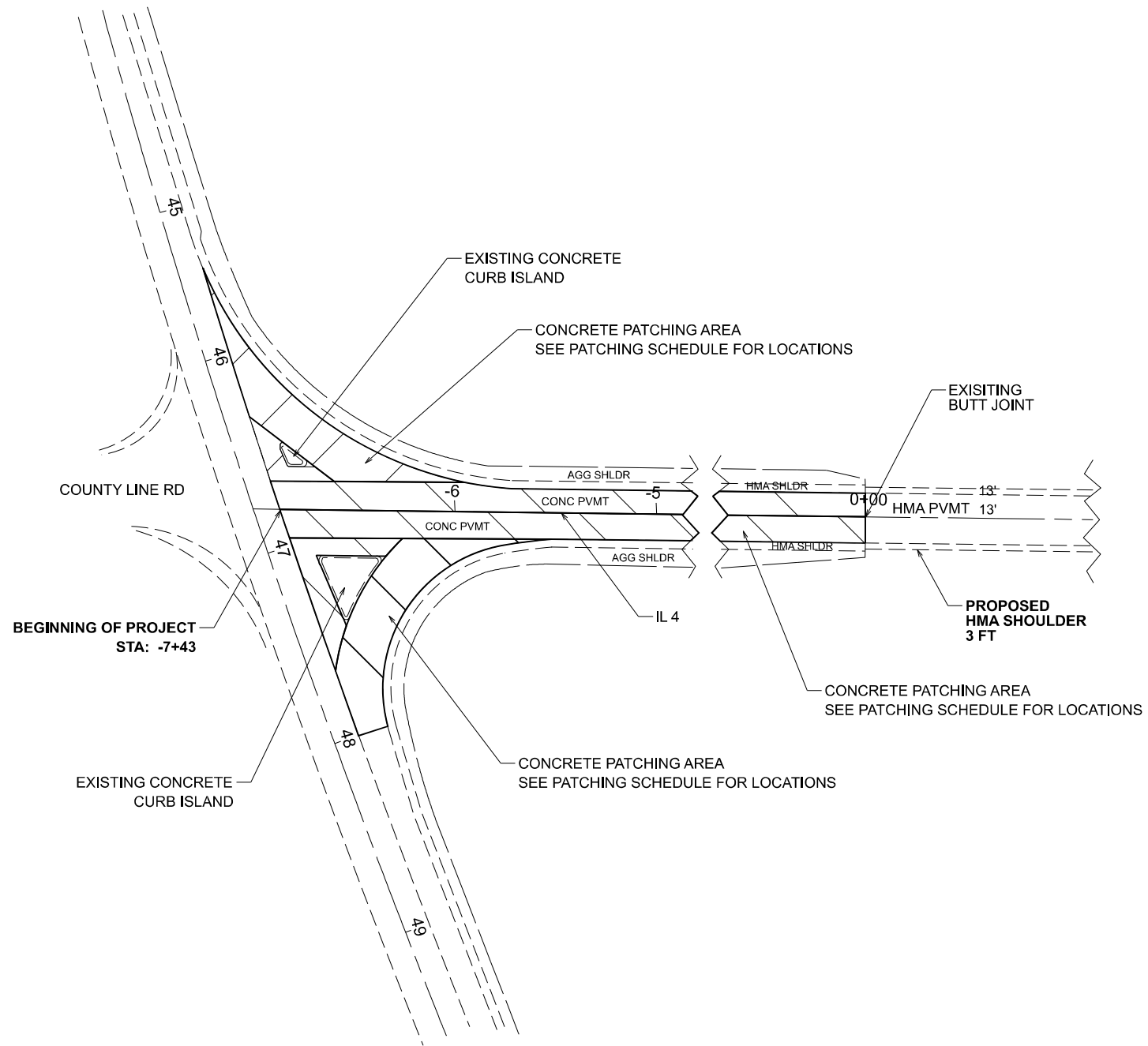
PAVEMENT CORE SUMMARY

SCALE: SCALE SHEET 0 OF 1 SHEETS STA. TO STA.

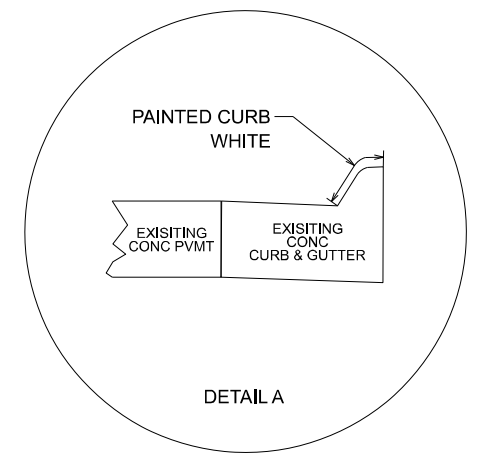
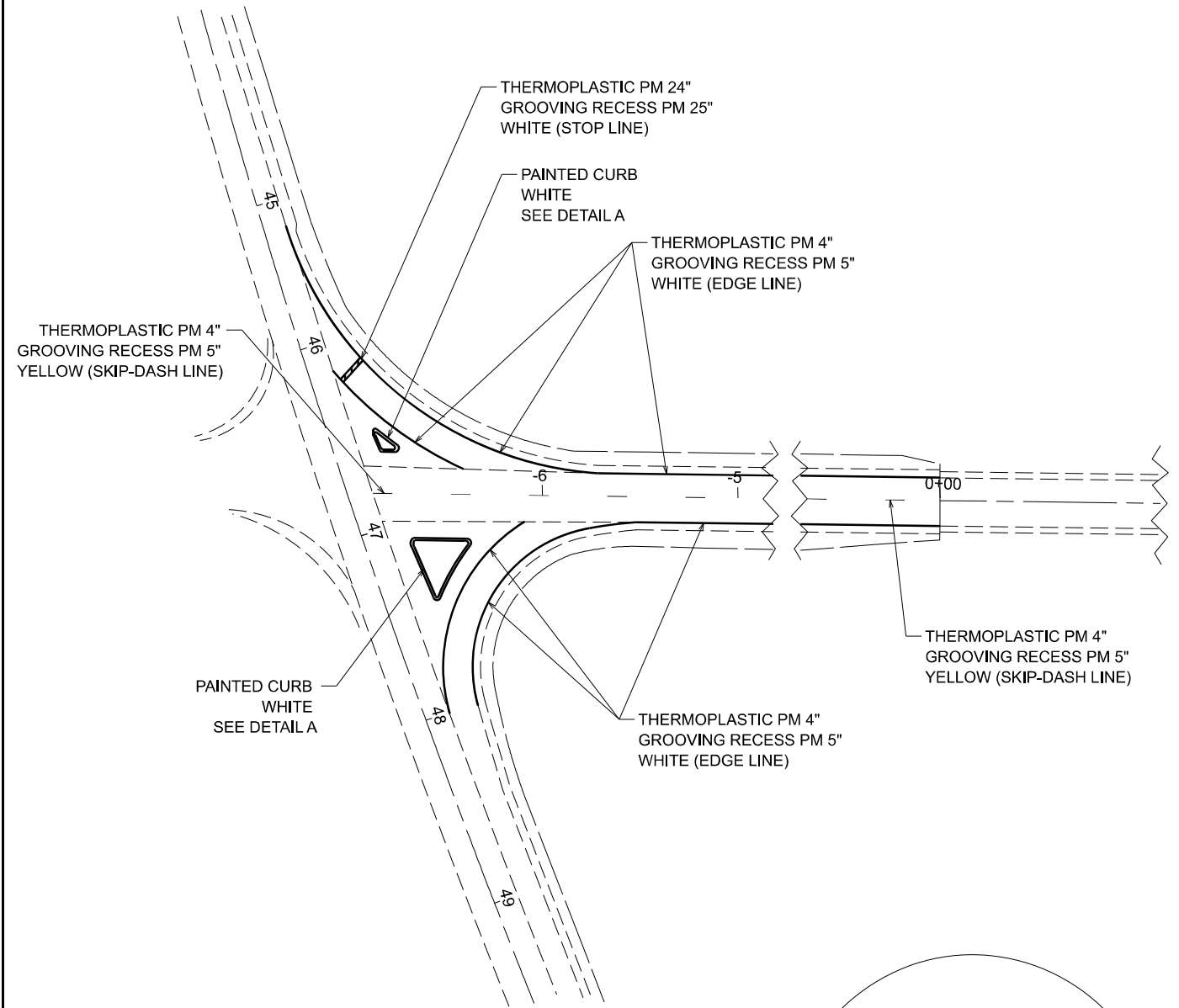
F.A.P. RTE.	SECTION	COUNTY	TOTAL SHEETS	SHEET NO.
686	(112,113,114)RS-3	PERRY / JACKSON	35	31
CONTRACT NO. 78A21				
ILLINOIS FED. AID PROJECT				



N.T.S



N.T.S



MODEL: Patch and Paint (Sheet)
FILE NAME: P:\GIS\Projects\DOT\Office\District 9\ORD Project\78A21\CAD\DrawCAD\Draw\082721-StrIP-Patch Area.dgn

USER NAME = robert.handy	DESIGNED -	REVISED -
DRAWN -	DRAWN -	REVISED -
PLOT SCALE = 0.16666633' / in.	CHECKED -	REVISED -
PLOT DATE = 3/7/2024	DATE -	REVISED -

STATE OF ILLINOIS
DEPARTMENT OF TRANSPORTATION

PATCHING AREA / PAVEMENT MARKING
BEGINNING PROJECT LOCATION

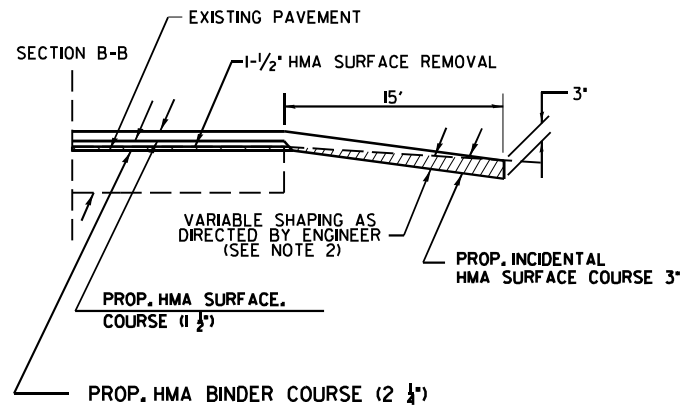
SCALE: NTS SHEET 1 OF 35 SHEETS STA. TO STA.

F.A.P. RTE.	SECTION	COUNTY	TOTAL SHEETS	SHEET NO.
686	(112,113,114)RS-3	PERRY / JACKSON	35	32
CONTRACT NO. 78A21				

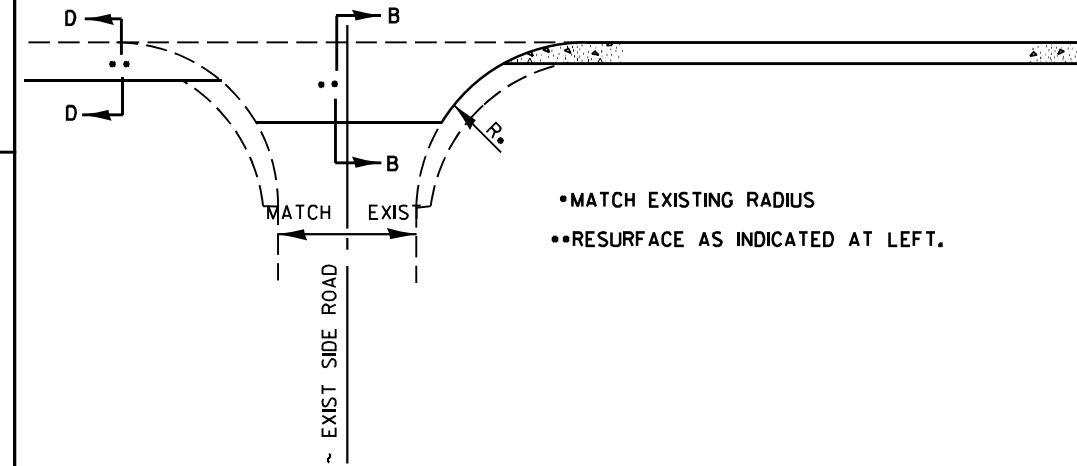
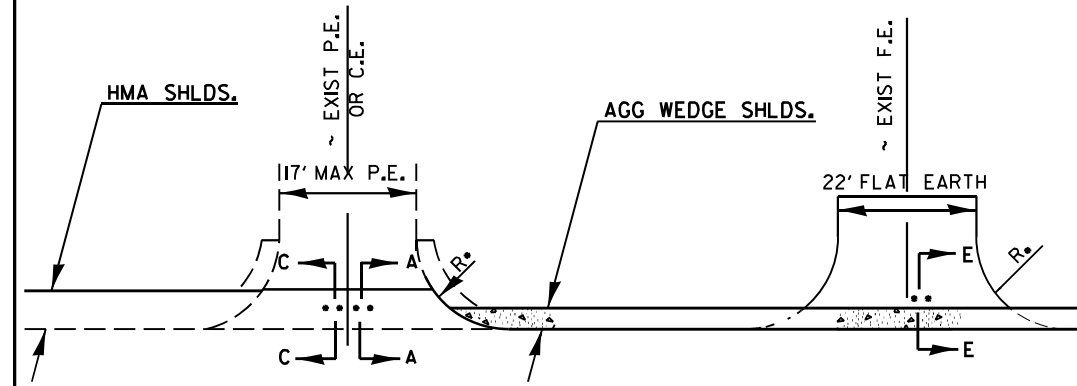
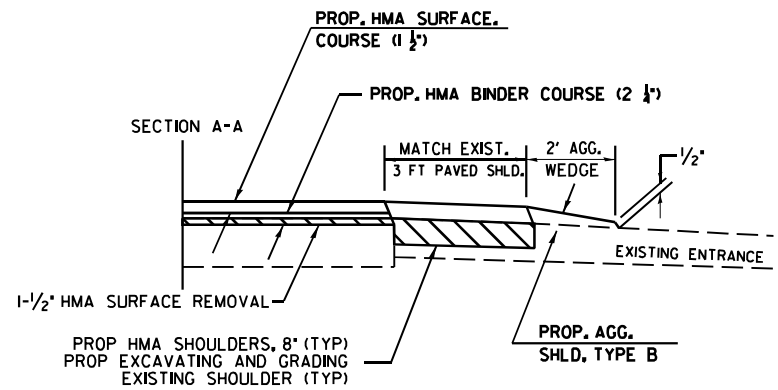
ILLINOIS FED. AID PROJECT *PERRY/JACKSON

SIDEROAD AND ENTRANCE

EX. AGGREGATE SIDEROAD



AGGREGATE PRIVATE OR COMMERCIAL ENTRANCE

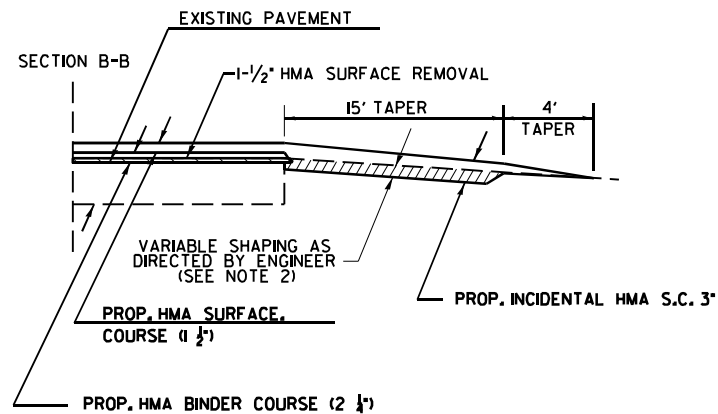


- MATCH EXISTING RADIUS
- RESURFACE AS INDICATED AT LEFT.

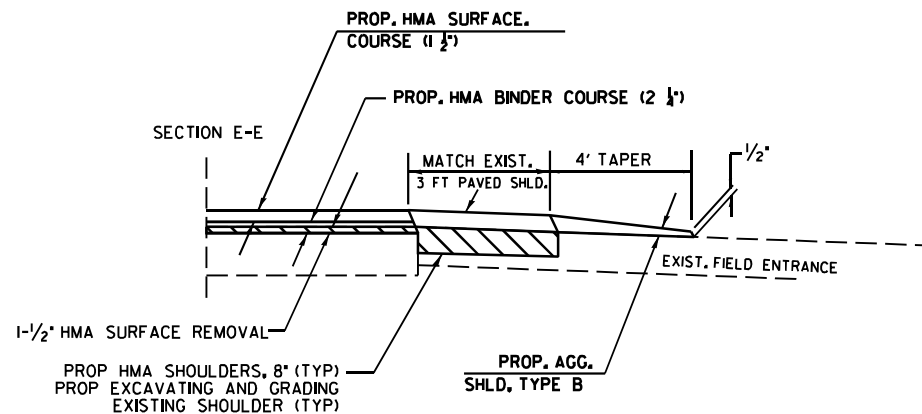
ENTRANCE SCHEDULE

TYPE	NUMBER OF ENTRANCES
P.E.	68
C.E.	42
F.E.	12

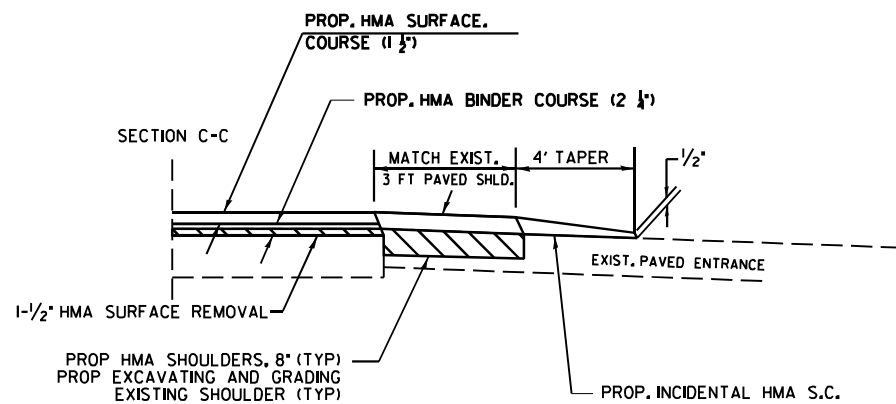
EX. OIL & CHIP SIDEROAD



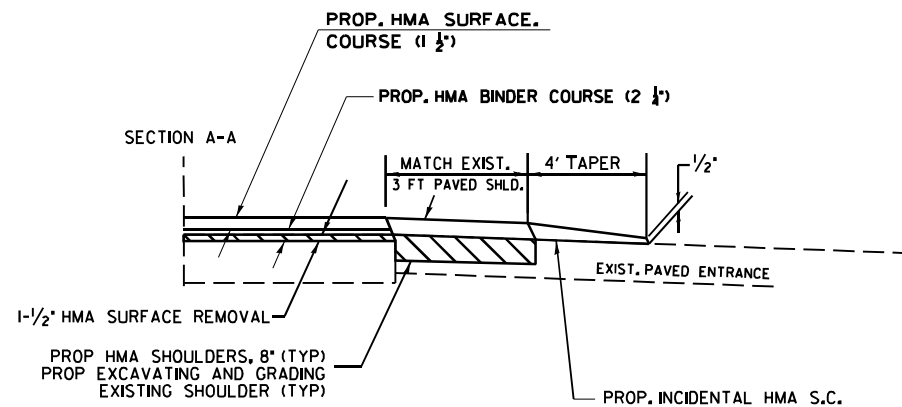
AGG. OR EARTH FIELD ENTRANCE



HMA, PCC, OR OIL & CHIP PRIVATE OR COMMERCIAL ENTRANCE (HMA SHLD.)



HMA, PCC, OR OIL & CHIP PRIVATE OR COMMERCIAL ENTRANCE



NOTES

1. IF EXISTING SUBBASE IS INADEQUATE, AS DETERMINED BY THE ENGINEER, THE SIDE ROADS SHALL BE CORED OUT AND AGGREGATE SUBBASE, TYPE B SHALL BE PLACED FOR BASE. THE COST OF CORING OUT THE SIDE ROAD AND ANY AGGREGATE BASE COURSE SHALL BE PAID FOR AS SPECIFIED IN ART. 109.04 OF THE STANDARD SPECIFICATIONS FOR ROAD AND BRIDGE CONSTRUCTION. IF EXISTING SUBBASE IS DETERMINED TO BE ADEQUATE, THE PREPARATION OF THE BASE SHALL BE CONSTRUCTED ACCORDING TO ARTICLE 406.09.
2. VARIABLE SHAPING IS INCLUDED IN THE COST OF INCIDENTAL HOT-MIX ASPHALT SURFACE.

DRAWN	12-07-23
REVISED	
REVISED	
REVISED	

USER NAME = robert.handy	DESIGNED -	REVISED -
PLOT SCALE = 0.16666833 / in.	DRAWN -	REVISED -
PLOT DATE = 1/26/2024	CHECKED -	REVISED -
	DATE -	REVISED -

**STATE OF ILLINOIS
DEPARTMENT OF TRANSPORTATION**

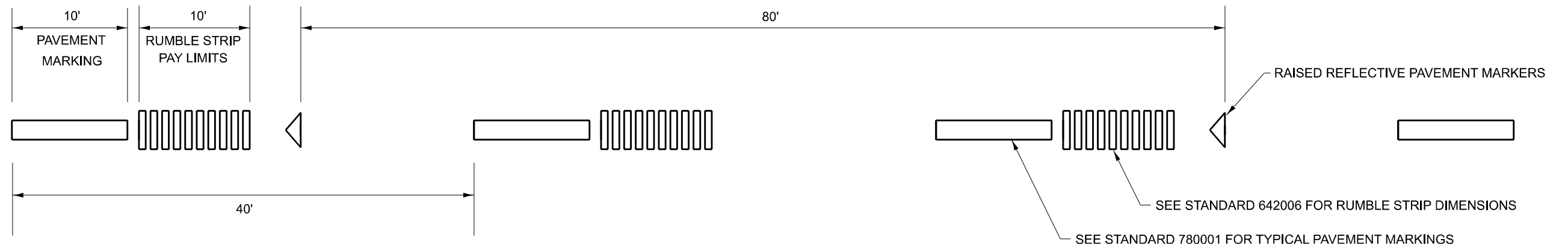
SIDEROAD AND ENTRANCE DETAILS

SCALE: SHEET 1 OF 1 SHEETS STA. TO STA.

F.A.P. RTE.	SECTION	COUNTY	TOTAL SHEETS	SHEET NO.
686	(112,113,114)RS-3	PERRY/JACKSON	35	33
				CONTRACT NO. 78A21
ILLINOIS FED. AID PROJECT				

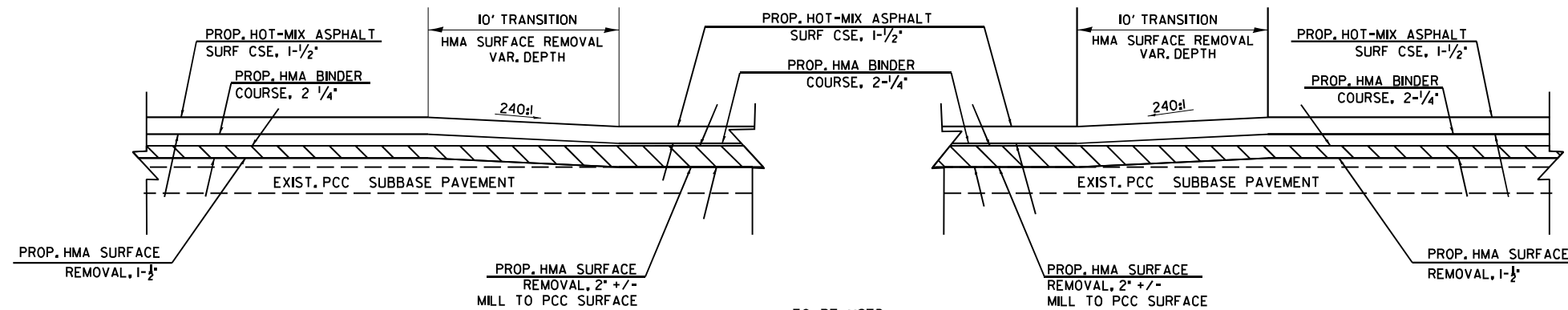
MODEL: Standard-Entrance (Sheet)
FILE NAME: P:\GIS\Projects\GIS\DOT\Office\Direct\B\ORD_Proj\841\CAD\Draws\0578A21-SHR-EntranceSheet.dwg

CENTERLINE RUMBLE STRIP DETAIL



PAVEMENT TRANSITION DETAIL

V-GUTTER LOCATIONS
N.T.S.



TO BE USED:

STA. 383+90 TO STA. 384+00
STA. 391+90 TO STA. 392+00
STA. 398+25 TO STA. 398+35
STA. 428+00 TO STA. 428+10
STA. 563+90 TO STA. 564+00

MODEL: HMA Trans Center Rumble (Sheet)
FILE NAME: P:\Bids\2024\112113\114\RS-3\DOT\Documents\DOT Office\Direct\BORD\Project\78A21\CAD\Drawings\DOT\78A21-SRPS-Details\Sheet.dgn

DRAWN	08-12-23
REVISED	
REVISED	
REVISED	

USER NAME = robert.handy	DESIGNED -	REVISED -
	DRAWN -	REVISED -
PLOT SCALE = 0.16666633' / in.	CHECKED -	REVISED -
PLOT DATE = 1/26/2024	DATE -	REVISED -

**STATE OF ILLINOIS
DEPARTMENT OF TRANSPORTATION**

**CENTERLINE RUMBLE STRIP DETAIL
PAVEMENT TRANSITION DETAIL**

SCALE: SHEET OF SHEETS STA. TO STA.

F.A.P. RTE.	SECTION	COUNTY	TOTAL SHEETS	SHEET NO.
686	(112,113,114)RS-3	PERRY/JACKSON	35	35
CONTRACT NO. 78A21				
ILLINOIS FED. AID PROJECT				