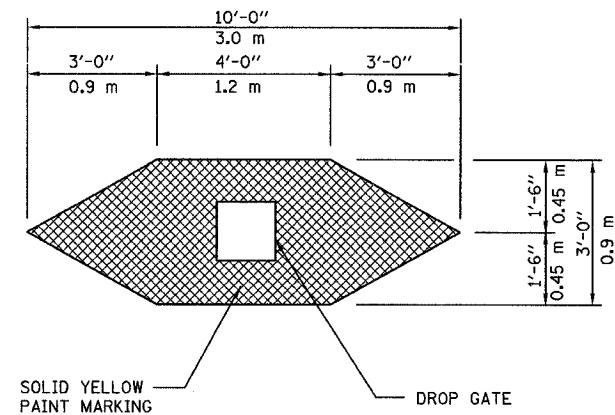
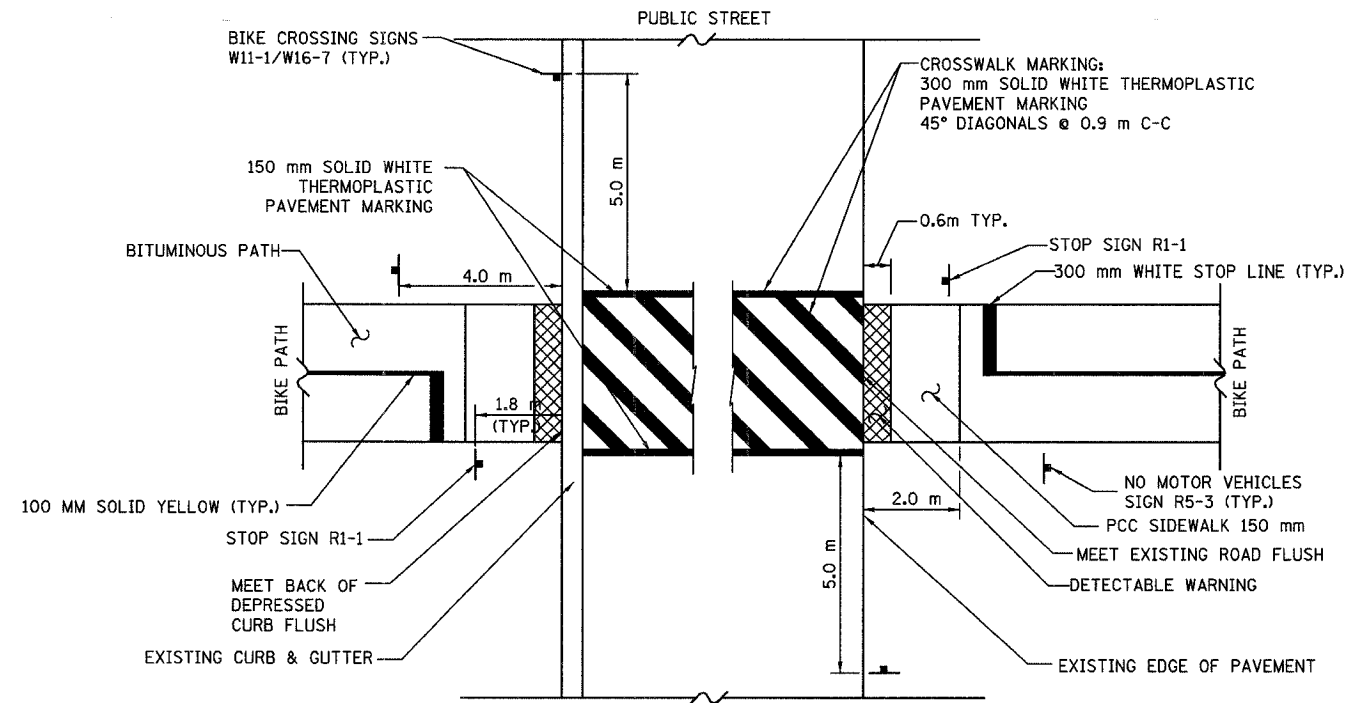


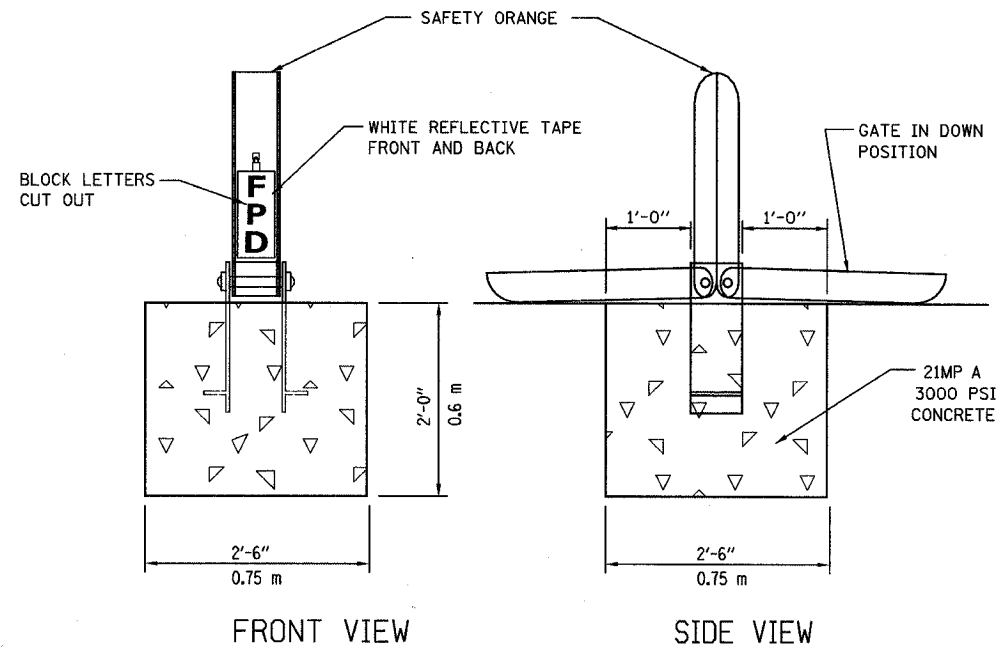
SECTION	COUNTY	TOTAL SHEETS	SHEET NO.
94-F3000-05-BT	COOK	102	70
STA. TO STA.			
PROJECT NO. TE-D001 (610)			
CENTENNIAL TRAIL			
CONTRACT NO. 83859			



DROP GATE MARKING DETAIL
N.T.S.

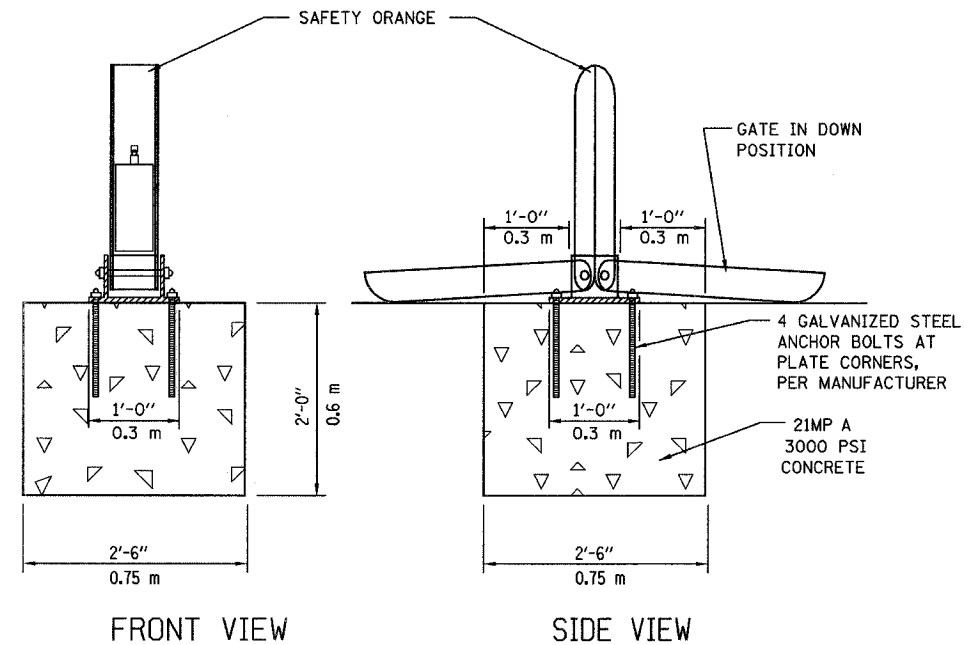


STREET INTERSECTION SIGN AND PAVEMENT MARKING DETAIL
N.T.S.



NOTE:
DROP GATE, SPECIAL ASSEMBLIES ARE FURNISHED BY THE FOREST PRESERVE DISTRICT, CONTRACTOR SHALL PRIME AND PAINT GATE AS REQUIRED IN SPECIFICATIONS. POSITION DROP GATE 4.0 m BACK FROM EDGE OF ROAD.

DROP GATE, SPECIAL INSTALLATION DETAIL
N.T.S.



NOTE:
DROP GATE ASSEMBLIES ARE FURNISHED BY THE CONTRACTOR POSITION DROP GATE 4.0 m BACK FROM EDGE OF ROAD.

DROP GATE INSTALLATION DETAIL
N.T.S.

REVISIONS		
NO.	NAME	DATE

URS 100 S. WACKER DR., SUITE 500 TEL (312)-939-1000
CHICAGO, IL 60606 FAX (312)-939-4198

FOREST PRESERVE DISTRICT OF COOK COUNTY
CENTENNIAL TRAIL
SIGN DETAILS

DATE: 10/20/06 DRAWN BY: VAP
DESIGNED BY: DIH CHECKED BY: DDL