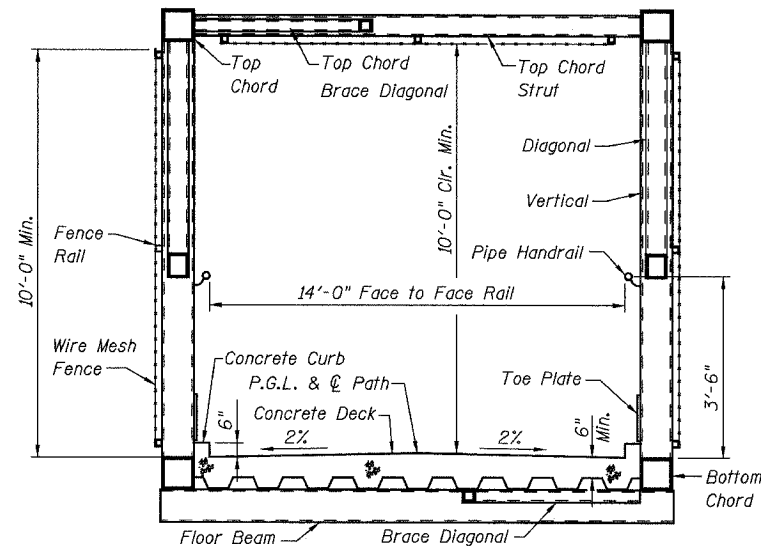


STATE OF ILLINOIS  
DEPARTMENT OF TRANSPORTATION

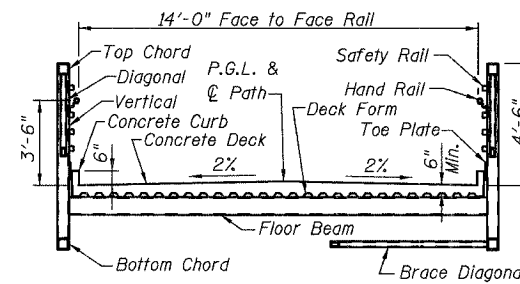
ROUTE NO.	SECTION	COUNTY	TOTAL SHEETS	SHEET NO.
F.A.P.	05-00130 -00-BR	WILL	41	16
FED. ROAD DIST. NO. 7	ILLINOIS	FED. AID PROJECT-		

SHEET NO. 4  
OF 23 SHEETS

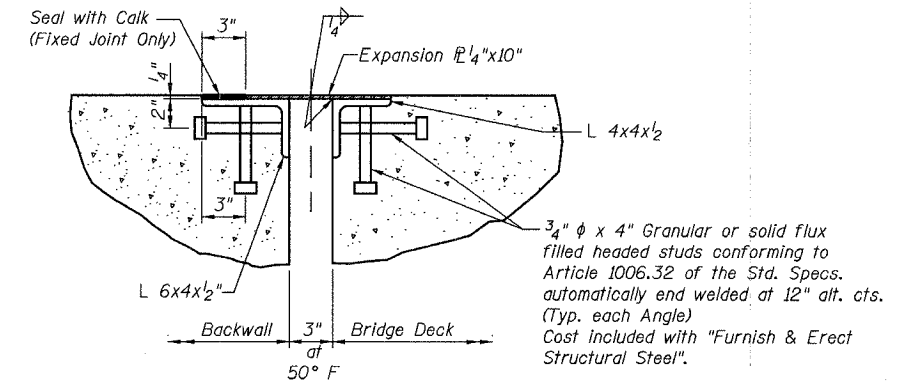
CONTRACT NO. 83889



MAIN SPAN OVER IL-59 - SECTION



RAMP SPANS - SECTION



EXPANSION JOINT DETAIL  
(Fixed Joint similar, except as shown)  
(Paid for as Furnish & Erect Structural Steel)

Note:  
Expansion Joint shall continue onto inside face of curb.

REACTION TABLE - 200± FT. SPAN

"Design loads utilized, provided by Truss Fabricator. This information has been provided for reference only. If actual design loads exceed those stated by more than 5%, the Fabricator must inform the Design Engineer to re-evaluate the substructure design."

Load Type	P (Lbs.)	H (Lbs.)	L (Lbs.)
Dead Load	96,250	-----	-----
Uniform Live Load	59,500	-----	-----
Vehicle Load	5,000	-----	-----
Wind Uplift (20 psf)	-24,000	-----	-----
Wind	±16,800	42,000	-----
Thermal	-----	-----	14,440

"P" - Vertical Load at Each Base Plate (4 per Bridge)  
"H" - Horizontal Load at Each Footing (2 per Bridge)  
"L" - Longitudinal Load at Each Bearing (4 per Bridge)

REACTION TABLE - 100± FT. SPAN

"Design loads utilized, provided by Truss Fabricator. This information has been provided for reference only. If actual design loads exceed those stated by more than 5%, the Fabricator must inform the Design Engineer to re-evaluate the substructure design."

Load Type	P (Lbs.)	H (Lbs.)	L (Lbs.)
Dead Load	35,875	-----	-----
Uniform Live Load	29,750	-----	-----
Vehicle Load	5,000	-----	-----
Wind Uplift (20 psf)	-11,500	-----	-----
Wind	±3,070	12,550	-----
Thermal	-----	-----	5,385

"P" - Vertical Load at Each Base Plate (4 per Bridge)  
"H" - Horizontal Load at Each Footing (2 per Bridge)  
"L" - Longitudinal Load at Each Bearing (4 per Bridge)

Pay Item	Unit	Quantity
Pedestrian Bridge Superstructure	Sq. Ft.	8,410
Furnishing & Erecting Structural Steel	Pound	3,376

c:\naperville\_25365506\_pedbridge\pre-final\plans\drawings\04\_sections&details\den\_12/8/2006\_1:36:35 PM

DESIGNED	MDS
CHECKED	JPB
DRAWN	MDS
CHECKED	JPB

**URS**  
100 South Wacker Drive,  
Suite 500  
Chicago, IL 60606  
(312) 939-1000

REVISIONS	
NAME	DATE

ILLINOIS DEPARTMENT OF TRANSPORTATION  
**BRIDGE SECTIONS  
AND DETAILS**  
ROUTE 59 PEDESTRIAN BRIDGE  
CITY OF NAPERVILLE, WILL COUNTY

F.A.P. RTE. SECTION: 05-00130-00-BR  
STATION 113+02.46 STRUCTURE NO. 099-6002  
SCALE: N.T.S. DATE: 12/8/2006