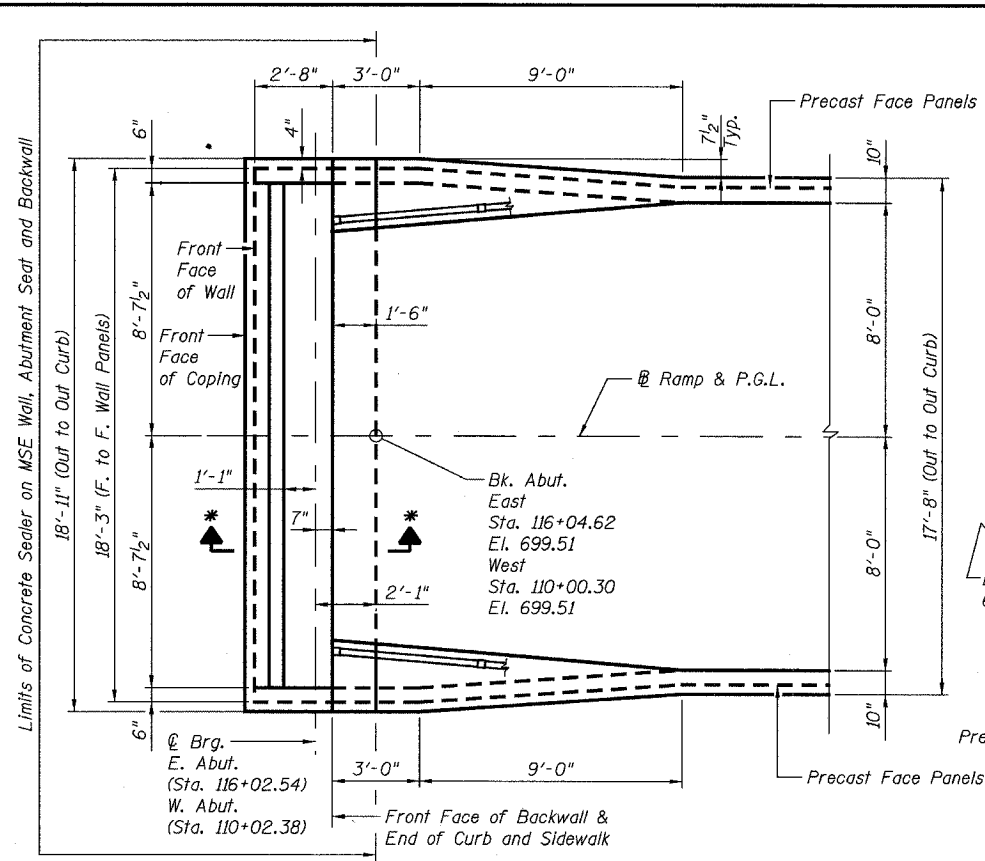


STATE OF ILLINOIS
DEPARTMENT OF TRANSPORTATION

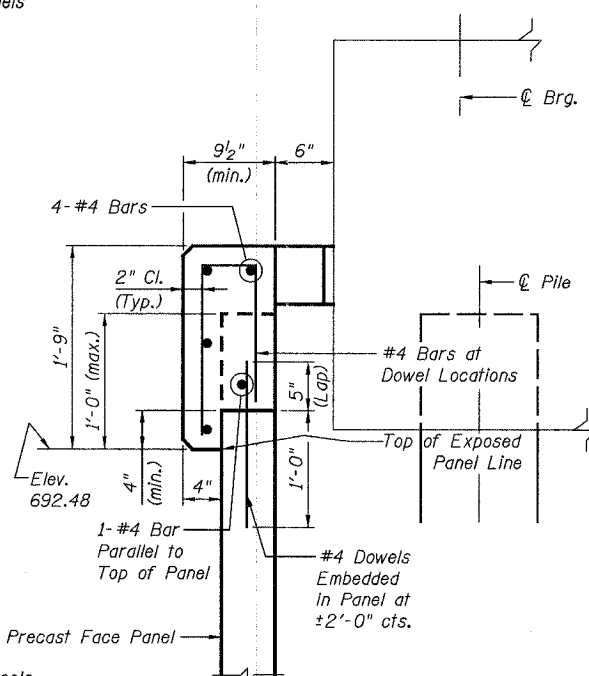
ROUTE NO.	SECTION	COUNTY	TOTAL SHEETS	SHEET NO.
F.A.P.	05-00130-00-BR	WILL	41	24
FED. ROAD DIST. NO. 7		ILLINOIS FED. AID PROJECT-		
CONTRACT NO. 83889				

SHEET NO. 12
OF 23 SHEETS



PLAN AT ABUTMENTS

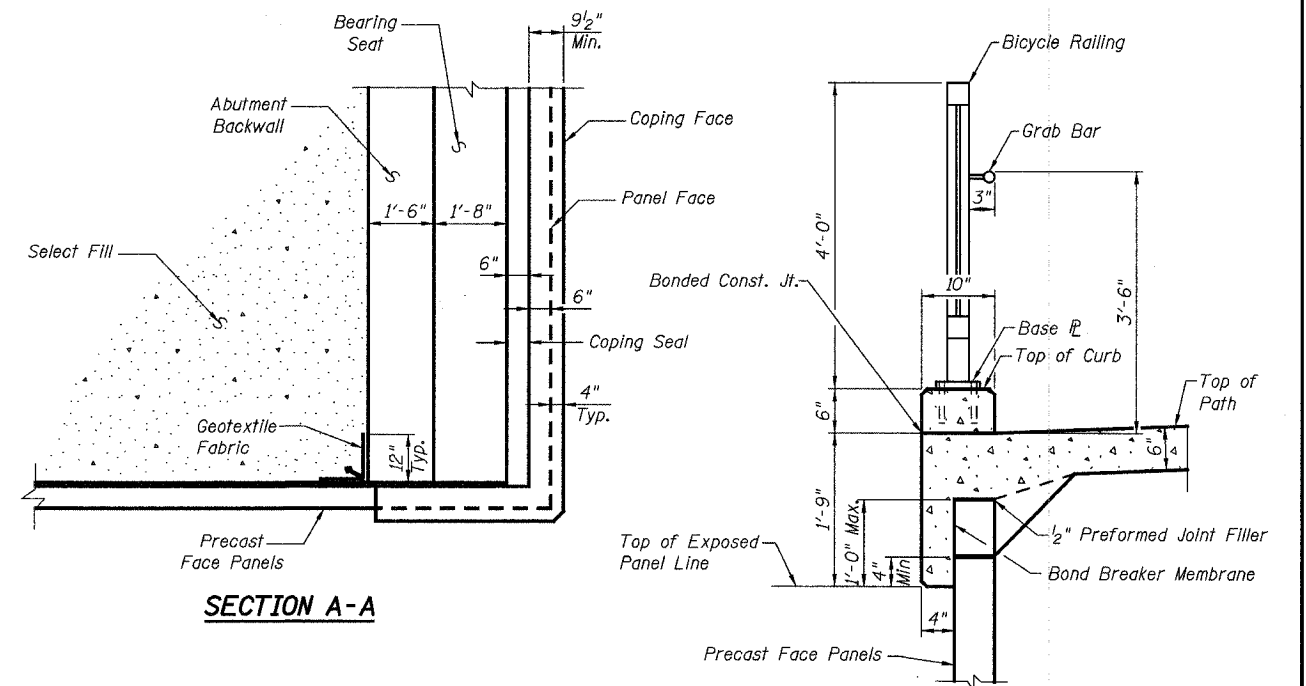
*See Section Through Abutment, This Sheet



CAST IN PLACE COPING DETAIL

All reinforcement shall be epoxy coated.

Note: Cost of Coping, including epoxy coated reinforcement bars, PJF & Bond breaker is included in the pay item "Mechanically Stabilized Earth Retaining Wall".



SECTION A-A

DETAIL "1"

NOTES:

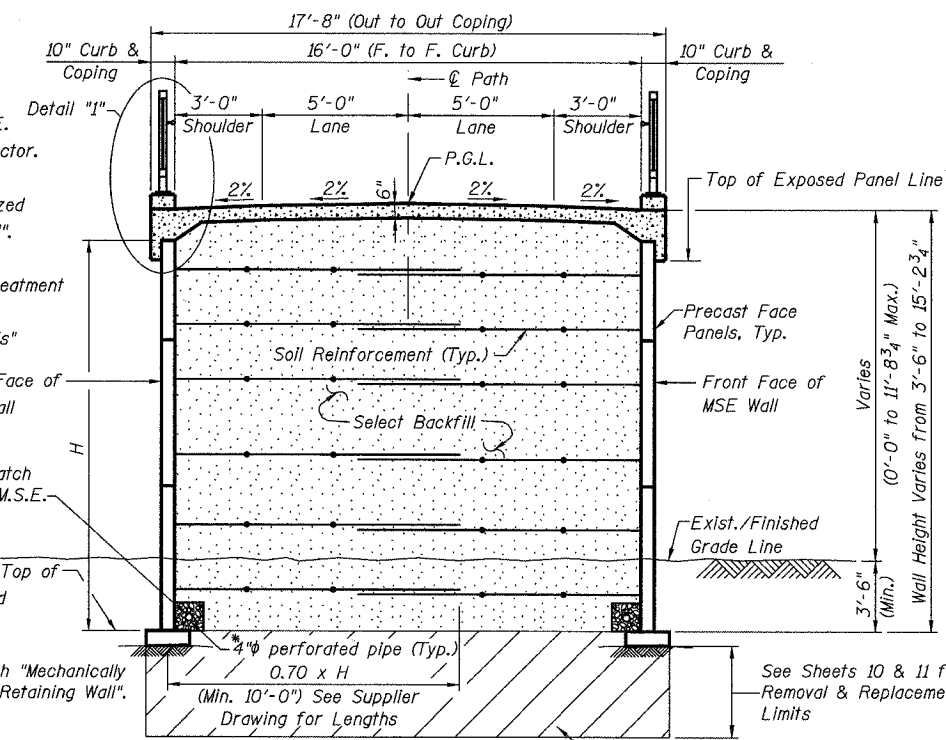
MSE Wall Drainage Requirements to be Determined by M.S.E. Wall Supplier Contractor. Cost included with "Mechanically Stabilized Earth Retaining Wall".

For Architectural treatment of MSE Wall see "Architectural Details" drawing.

Connect to Catch Basins near M.S.E. Wall Termini

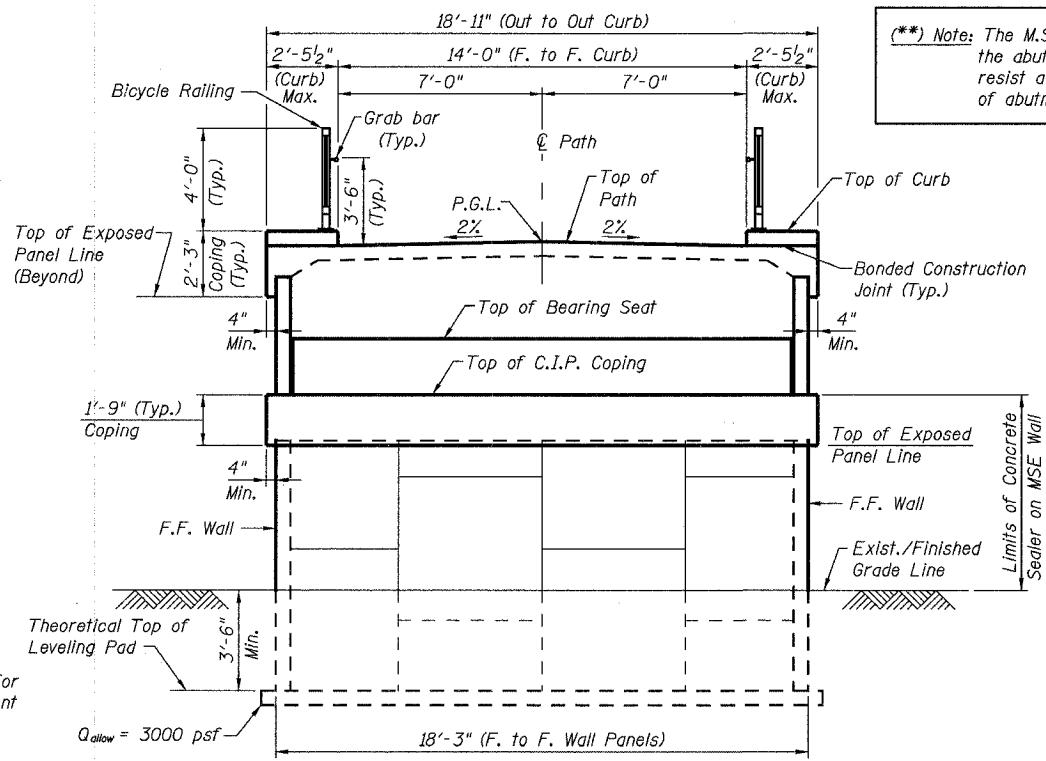
Theoretical Top of Leveling Pad

* Cost included with "Mechanically Stabilized Earth Retaining Wall".



SECTION THROUGH M.S.E. WALL

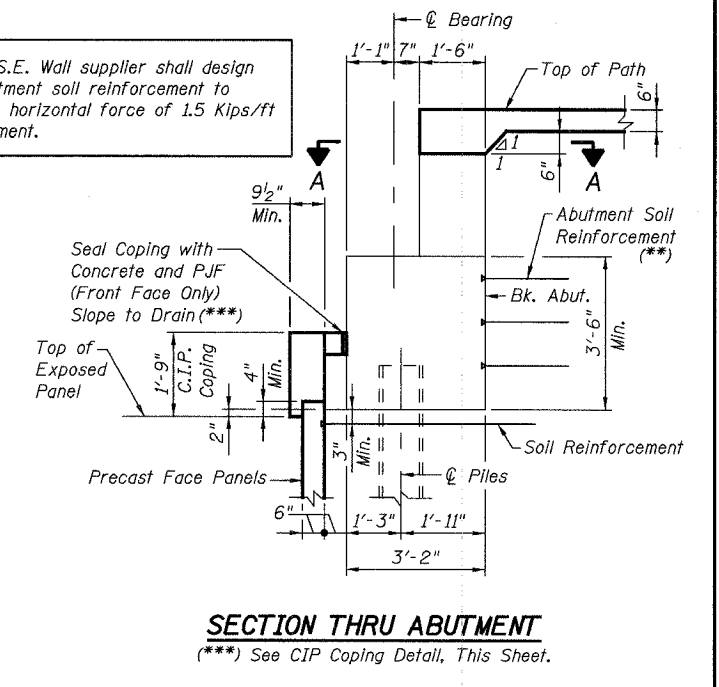
Note: Wall Supplier and Contractor must space soil reinforcement to miss piles.



ABUTMENT ELEVATION

(Showing MSE Wall Details)

(**) Note: The M.S.E. Wall supplier shall design the abutment soil reinforcement to resist a horizontal force of 1.5 Kips/ft of abutment.



SECTION THRU ABUTMENT

(**) See CIP Coping Detail, This Sheet.

G:\naperville\125365506.pedbridge\pre-final\plans\drawings\12_mse_wall_details\12_mse_wall_details.dwg 1/10/2007 2:02:00 PM

DESIGNED	MDS
CHECKED	JPB
DRAWN	MDS
CHECKED	JPB

REVISIONS	
NAME	DATE

ILLINOIS DEPARTMENT OF TRANSPORTATION
MSE WALL DETAILS

ROUTE 59 PEDESTRIAN BRIDGE
CITY OF NAPERVILLE, WILL COUNTY

F.A.P. RTE. STATION 113+02.46
SCALE: N.T.S.

100 South Wacker Drive,
Suite 500
Chicago, IL 60606
(312) 939-1000

SECTION: 05-00130-00-BR
STRUCTURE NO. 099-6002
DATE: 12/8/2006