

CODE NO.	ITEM	UNIT	TOTAL QUANTITY	CONSTRUCTION CODE				
				80% FED 20% STATE ROADWAY 0005 FAS 733	80% FED 20% STATE ROADWAY 0005 FAP 310	100% STATE BRIDGE 0013 031-0029	100% STATE BRIDGE 0013 031-0030	100% STATE BRIDGE 0013 031-0031
				70600250	IMPACT ATTENUATORS, TEMPORARY (NON-REDIRECTIVE), TEST LEVEL 3	EACH	2	
* 78000200	THERMOPLASTIC PAVEMENT MARKING - LINE 4"	FOOT	85535	17384	68151			
70600350	IMPACT ATTENUATORS, RELOCATE (NON-REDIRECTIVE), TEST LEVEL 3	EACH	2				2	
* 78008210	POLYUREA PAVEMENT MARKING TYPE I - LINE 4"	FOOT	255			34	35	186
* 78100100	RAISED REFLECTIVE PAVEMENT MARKER	EACH	411	80	317	2	2	10
* 78200005	GUARDRAIL REFLECTORS, TYPE A	EACH	48			16	16	16
78300200	RAISED REFLECTIVE PAVEMENT MARKER REMOVAL	EACH	411	80	317	2	2	10
X0326223	FOAM, EXPANDING POLYURETHANE, HIGH DENSITY	POUND	2200				2200	
X1200073	MANHOLE REMOVAL	EACH	1		1			
X7030005	TEMPORARY PAVEMENT MARKING REMOVAL	SQ FT	28512	5795	22717			
Z0001700	APPROACH SLAB REPAIR (FULL DEPTH)	SQ YD	534				534	
Z0033700	LONGITUDINAL JOINT SEALANT	FOOT	31725	6367	25358			
Z0034105	MATERIAL TRANSFER DEVICE	TON	10371	2093	8278			
Ø Z0076600	TRAINEES	Hour	1000	1000				
Ø Z0076604	TRAINEES TRAINING PROGRAM GRADUATE	Hour	1000	1000				

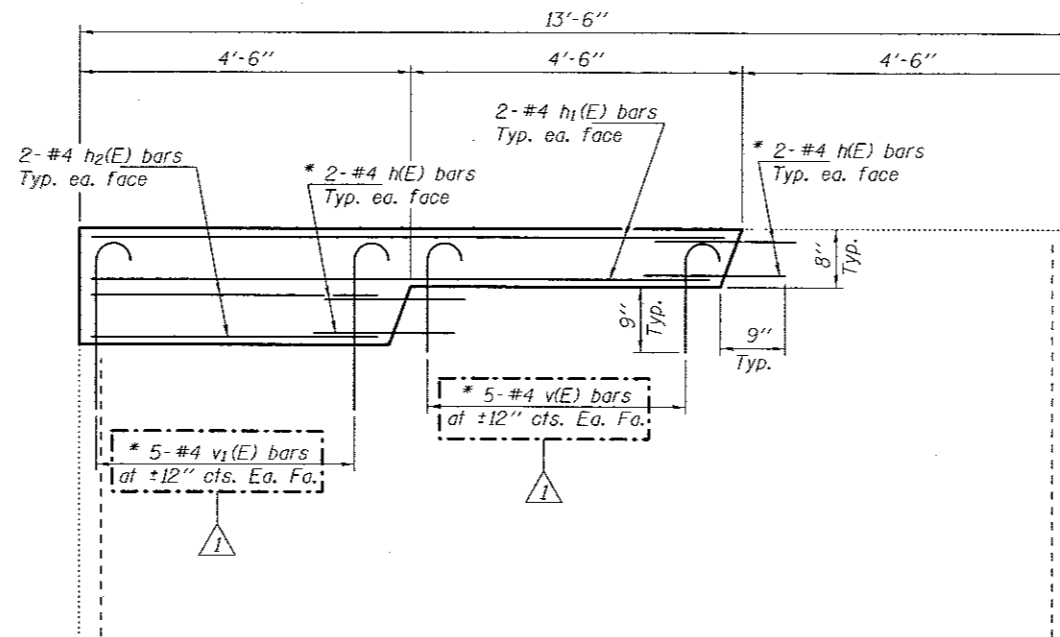
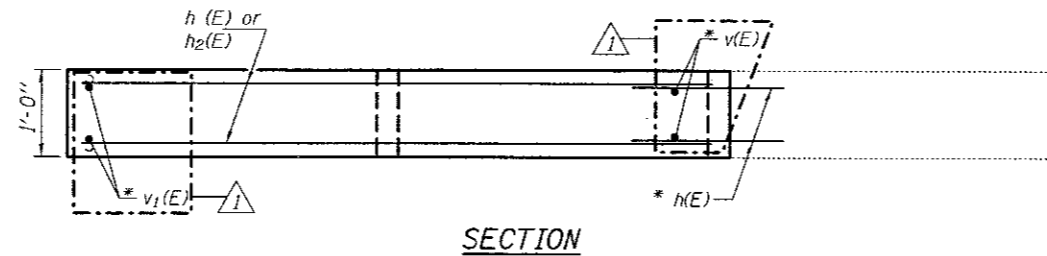
△ REV. 4-16-2018

* SPECIALTY ITEM

FILE NAME =	USER NAME = leej	DESIGNED -	REVISED -	STATE OF ILLINOIS DEPARTMENT OF TRANSPORTATION	SUMMARY OF QUANTITIES				F.A.P. F.A.S.	SECTION	COUNTY	TOTAL SHEETS	SHEET NO.
pw\ILL84EBIDNTEG.illinois.gov\PIDOT\Documents\IDOT Offices\District B\Projects\08730\Drawings\Bidsheets\0876K31-shr-500.dwg	CHECKED -	REVISED -	310						(51-1,52-1,53,54,55)RS-4	GREENE	24	6	
Default	PLOT SCALE = 1/8" = 1' / in.	CHECKED -	REVISED -		733	CONTRACT NO. 76K31							
	PLOT DATE = 1/29/2018	DATE -	REVISED -		SCALE: SHEET 4 OF 4 SHEETS STA. TO STA.				ILLINOIS FED. AID PROJECT				

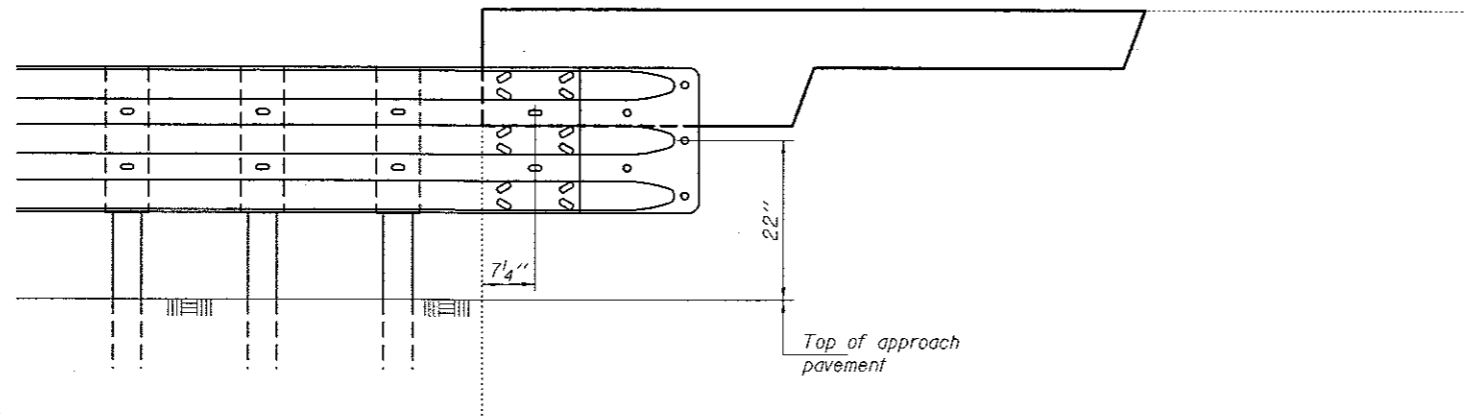
NOTES

Reinforcement bars designated (E) shall be epoxy coated.
 Plan dimensions and details relative to existing plans are subject to nominal construction variations. The Contractor shall field verify existing dimensions and details affecting new construction and make necessary approved adjustments prior to construction or ordering of materials. Such variations shall not be cause for additional compensation for a change in scope of the work, however, the Contractor will be paid for the quantity actually furnished at the unit price bid for the work.

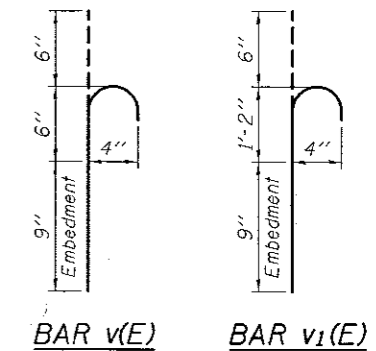


PROPOSED ELEVATION

* Epoxy grout h(E), v(E) & v1(E) bars in 9" min. holes according to Article 584 of the Standard Specifications. Cost included with Reinforcement Bars, Epoxy Coated.



GUARDRAIL LOCATION



**BILL OF MATERIAL
4 WINGWALLS**

Bar	No.	Size	Length	Shape
h(E)	32	#4	1'-9"	—
h1(E)	16	#4	8'-6"	—
h2(E)	16	#4	4'-0"	—
v(E)	40	#4	1'-3"	⌋
v1(E)	40	#4	2'-5"	⌋
Concrete Structures		Cu. Yd.	1.3	
Reinforcement Bars, Epoxy Coated		Pound	270	

REV. 4-16-2018

DESIGNED <i>[Signature]</i>	EXAMINED <i>[Signature]</i>	DATE MAY 17, 2017
CHECKED <i>[Signature]</i>	PASSED <i>[Signature]</i>	REVISOR 4/4/2018 VHV
DRAWN <i>[Signature]</i>		REVISION
CHECKED <i>[Signature]</i>		

STATE OF ILLINOIS
DEPARTMENT OF TRANSPORTATION

WINGWALL MODIFICATION
US 67 OVER SEMINARY CREEK
SN 031-0029

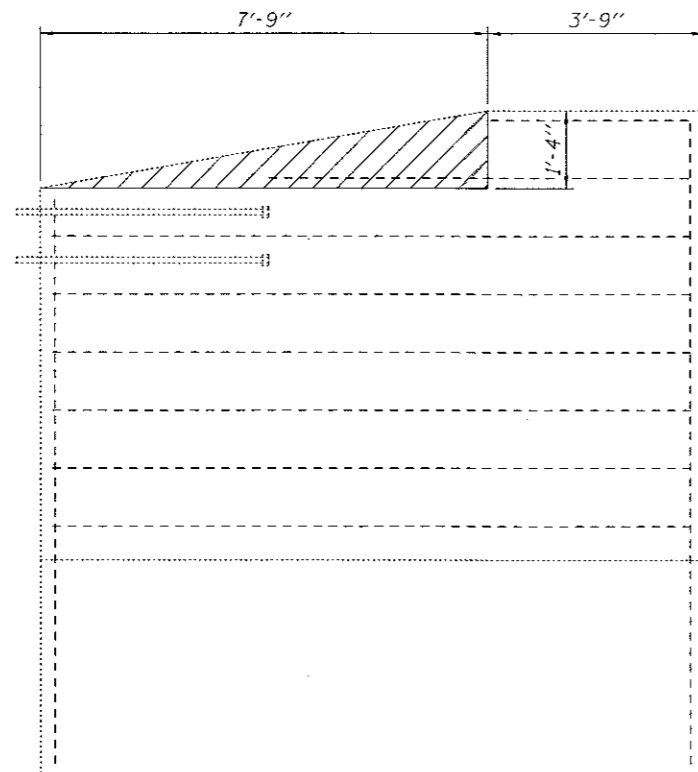
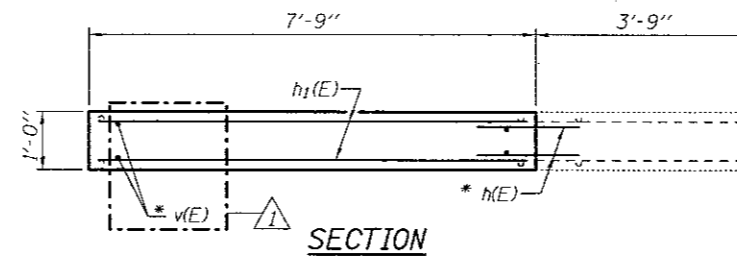
F.A.S. RTE. 733	SECTION (51-1,52-1,53,54,55RS-4)	COUNTY GREENE	TOTAL SHEETS 24	SHEET NO. 16
CONTRACT NO. 76K31				

SHEET NO. 1 OF 1 SHEETS

ILLINOIS FED. AID PROJECT

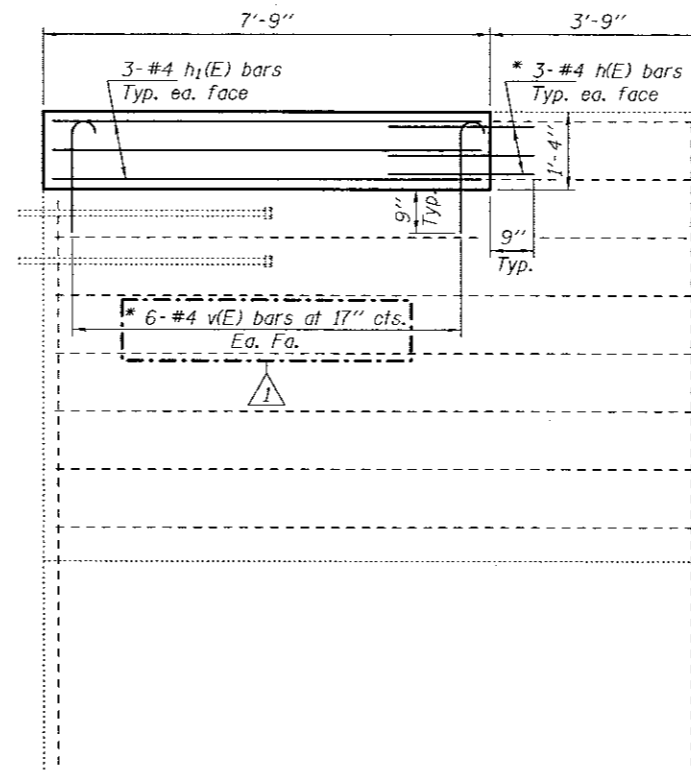
NOTES

Reinforcement bars designated (E) shall be epoxy coated.
 Plan dimensions and details relative to existing plans are subject to nominal construction variations. The Contractor shall field verify existing dimensions and details affecting new construction and make necessary approved adjustments prior to construction or ordering of materials. Such variations shall not be cause for additional compensation for a change in scope of the work, however, the Contractor will be paid for the quantity actually furnished at the unit price bid for the work.



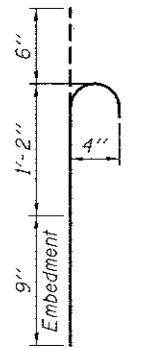
EXISTING ELEVATION

Hatched area indicates
Concrete Removal.

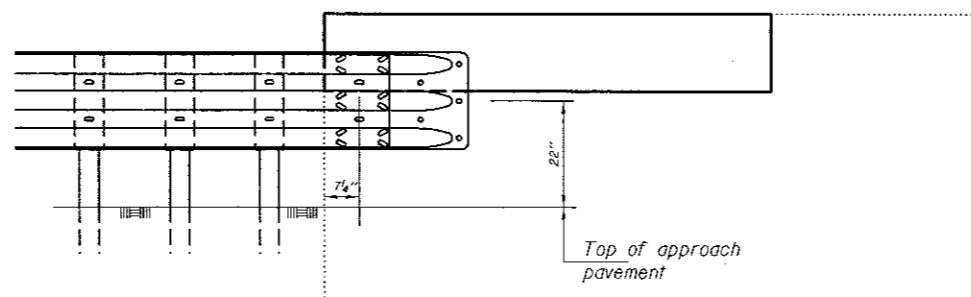


PROPOSED ELEVATION

* Epoxy grout h(E) & v(E) bars in 9" min.
holes according to Article 584 of the
Standard Specifications.



BAR v(E)



GUARDRAIL LOCATION

REV. 4-16-2018

**BILL OF MATERIAL
4 WINGWALLS**

Bar	No.	Size	Length	Shape
h(E)	24	#4	1'-9"	—
h1(E)	24	#4	7'-5"	—
v(E)	48	#4	2'-5"	U
Concrete Removal			Cu. Yd.	0.8
Concrete Structures			Cu. Yd.	1.5
Reinforcement Bars, Epoxy Coated			Pound	220

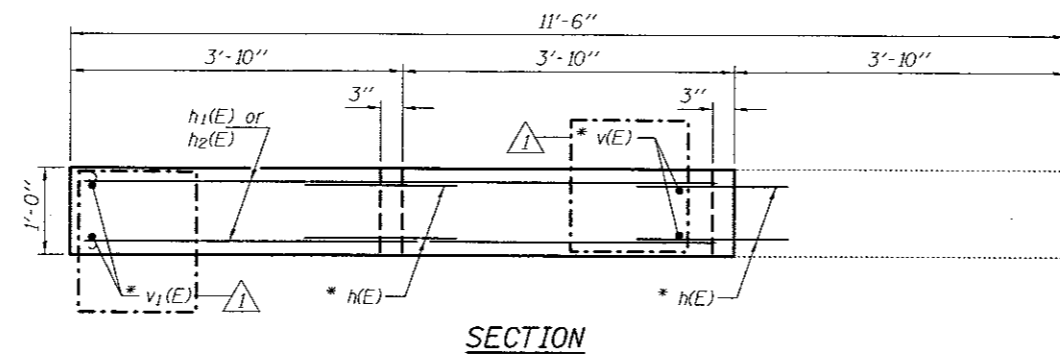
DESIGNED: <i>[Signature]</i>	EXAMINED: <i>[Signature]</i>	DATE: MAY 17, 2017
CHECKED: <i>[Signature]</i>	PASSED: <i>[Signature]</i>	REVISED: 4/4/2018 VHV
DRAWN: <i>[Signature]</i>	ENGINEER OF BRIDGES AND STRUCTURES	REVISED:

STATE OF ILLINOIS
DEPARTMENT OF TRANSPORTATION

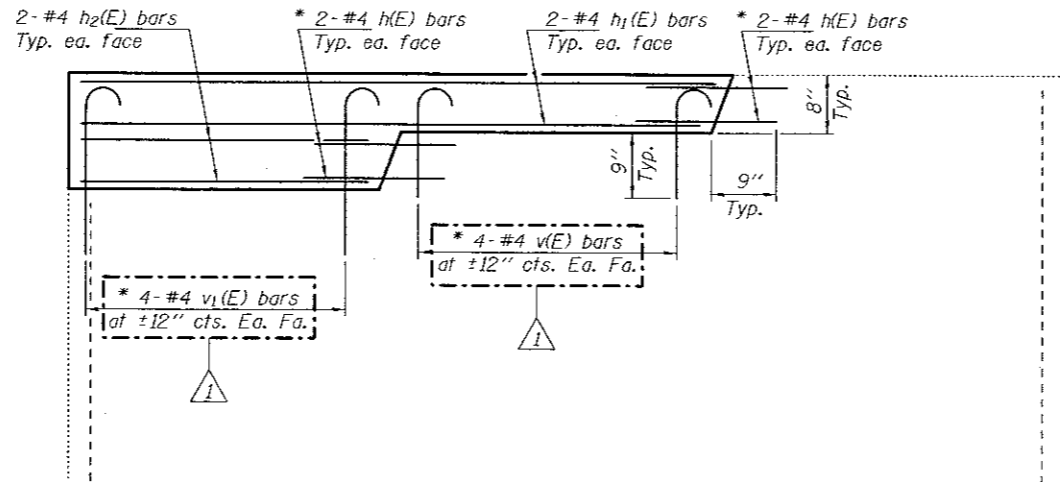
WINGWALL MODIFICATION
US 67 OVER APPLE CREEK
SN 031-0030

F.A.P. RTE.	SECTION	COUNTY	TOTAL SHEETS	SHEET NO.
310	(51-1,52-1,53,54,55)RS-4	GREENE	24	17
ILLINOIS FED. AID PROJECT			CONTRACT NO. 76K31	

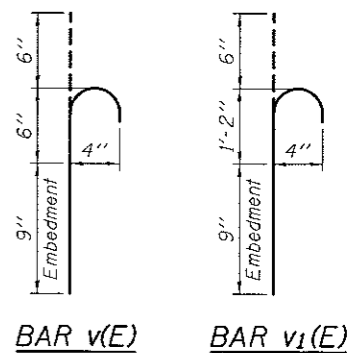
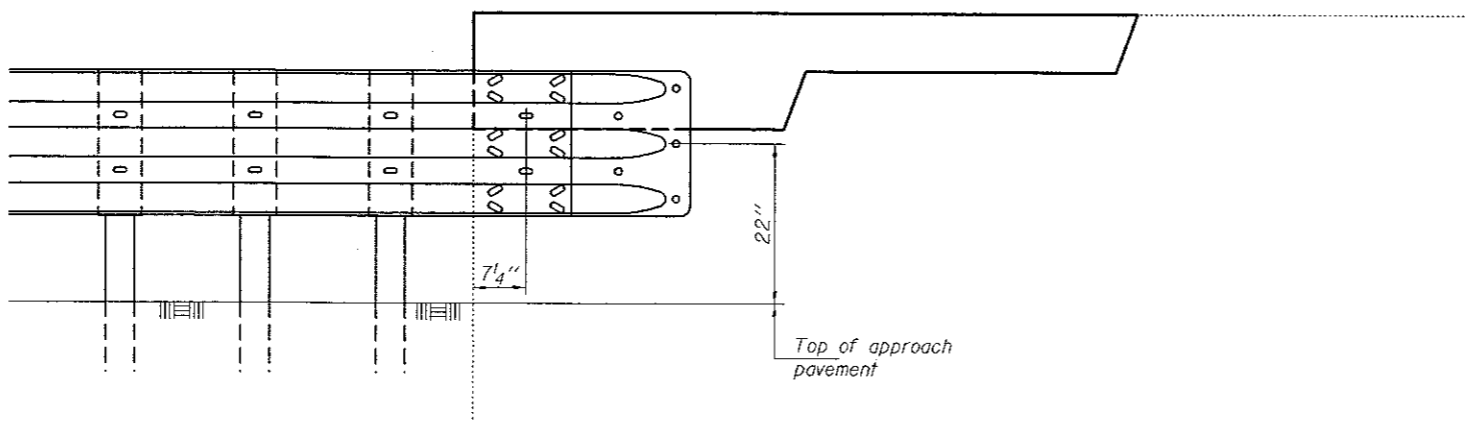
SHEET NO. 1 OF 1 SHEETS



NOTES
 Reinforcement bars designated (E) shall be epoxy coated.
 Plan dimensions and details relative to existing plans are subject to nominal construction variations. The Contractor shall field verify existing dimensions and details affecting new construction and make necessary approved adjustments prior to construction or ordering of materials. Such variations shall not be cause for additional compensation for a change in scope of the work, however, the Contractor will be paid for the quantity actually furnished at the unit price bid for the work.



PROPOSED ELEVATION
 * Epoxy grout h(E), v(E) & v1(E) bars in 9" min. holes according to Article 584 of the Standard Specifications. Cost included with Reinforcement Bars, Epoxy Coated.



BILL OF MATERIAL
4 WINGWALLS

Bar	No.	Size	Length	Shape
h(E)	32	#4	1'-9"	—
h1(E)	16	#4	7'-1"	—
h2(E)	16	#4	3'-3"	—
v(E)	32	#4	1'-3"	C
v1(E)	32	#4	2'-5"	C
Concrete Structures			Cu. Yd.	1.1
Reinforcement Bars, Epoxy Coated			Pound	230

REV. 4-16-2018

DESIGNED: <i>Victor H. Deliza</i>	EXAMINED: <i>Timothy A. ...</i>	DATE: MAY 17, 2017
CHECKED: <i>[Signature]</i>	PASSED: <i>[Signature]</i>	REVISOR: 4/4/2018 VHV
DRAWN: <i>baliva</i>	ENGINEER OF BRIDGES AND STRUCTURES	REVISOR:

STATE OF ILLINOIS
 DEPARTMENT OF TRANSPORTATION

WINGWALL MODIFICATION
 US 67 OVER APPLE CREEK OVERFLOW
 SN 031-0031

F.A.P. RTE. 310	SECTION (51-1.52-1.53,54,55)RS-4	COUNTY GREENE	TOTAL SHEETS 24	SHEET NO. 18
CONTRACT NO. 76K31			ILLINOIS FED. AID PROJECT	

SHEET NO. 1 OF 1 SHEETS