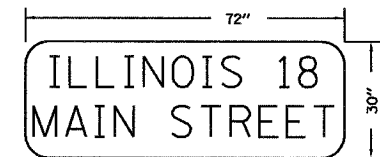
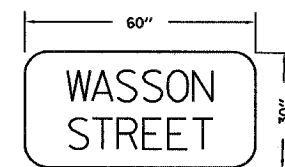


F.A.P. RTE.	SECTION	COUNTY	TOTAL SHEETS	SHEET NO.
•	••	LASALLE	95	67
STA.		TO STA.		
FED. ROAD DIST. NO. _ ILLINOIS		FED. AID PROJECT		
• FAP ROUTE 653 (ROUTE 18 COUPLE)				
•• SECTION (7)R, RS-2; (8)R, RS-1				



TYPE A SHEETING REQUIRED  
 8" D SERIES LETTERS  
 2 SIGNS REQUIRED = 15.00 SQ. FT. EACH  
 = 30.00 SQ. FT. TOTAL

THIS STREET NAME SIGN SHALL BE PLACED ON THE MAST ARMS PARALLEL WITH MAIN ST.

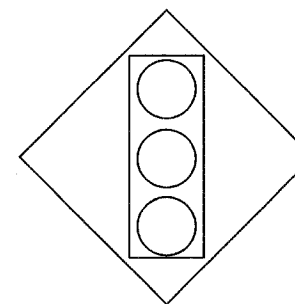


TYPE A SHEETING REQUIRED  
 8" D SERIES LETTERS  
 1 SIGN REQUIRED = 12.50 SQ. FT. EACH

THIS STREET NAME SIGN SHALL BE PLACED ON THE MAST ARM PARALLEL WITH WASSON ST.

### SCHEDULE OF QUANTITIES

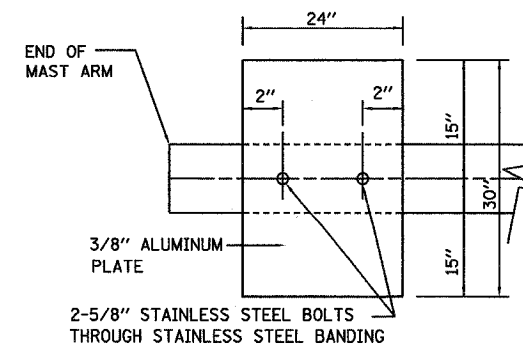
CODE	ITEM	UNIT	QUANTITY
72000100	SIGN PANEL, TYPE 1	S.F.	6.25
72000200	SIGN PANEL, TYPE 2	S.F.	42.50
72900100	METAL POST - TYPE A	FT.	13
80500200	SERVICE INSTALLATION, TYPE B	EACH	1
81012300	CONDUIT IN TRENCH, 1" DIA., PVC	FT.	43
81012500	CONDUIT IN TRENCH, 1/2" DIA., PVC	FT.	25
81012700	CONDUIT IN TRENCH, 2/2" DIA., PVC	FT.	36
81013000	CONDUIT IN TRENCH, 4" DIA., PVC	FT.	5
81021330	CONDUIT PUSHED, 2" DIA., PVC	FT.	328
81021350	CONDUIT PUSHED, 3" DIA., PVC	FT.	224
81400400	CONCRETE HANDHOLE	EACH	3
81400600	CONCRETE DOUBLE HANDHOLE	EACH	1
81500200	TRENCH AND BACKFILL FOR ELECTRICAL WORK	FT.	109
81702110	ELECTRIC CABLE IN CONDUIT, 600V(XLP-TYPE USE)1/C NO. 10	FT.	850
83103250	LUMINAIRE, SODIUM VAPOR, HORIZONTAL MOUNT, PHOTOCELL CONTROL, 250 WATT	EACH	3
85700200	FULL-ACTUATED CONTROLLER AND TYPE IV CABINET	EACH	1
85900100	TRANSCEIVER	EACH	1
86200200	UNINTERRUPTABLE POWER SUPPLY, STANDARD	L.SUM	1
87301215	ELECTRIC CABLE IN CONDUIT, SIGNAL NO. 14 2/C	FT.	971
87301225	ELECTRIC CABLE IN CONDUIT, SIGNAL NO. 14 3/C	FT.	730
87301245	ELECTRIC CABLE IN CONDUIT, SIGNAL NO. 14 5/C	FT.	797
87301255	ELECTRIC CABLE IN CONDUIT, SIGNAL NO. 14 7/C	FT.	475
87301305	ELECTRIC CABLE IN CONDUIT, LEAD-IN, NO. 14 1 PAIR	FT.	220
87301715	ELECTRIC CABLE IN CONDUIT, COMMUNICATION NO. 18, 6 PAIR	FT.	500
87301805	ELECTRIC CABLE IN CONDUIT, SERVICE NO. 6 2/C	FT.	45
87502460	TRAFFIC SIGNAL POST, GALVANIZED STEEL 12 FT.	EACH	1
87702870	STEEL COMBINATION MAST ARM ASSEMBLY AND POLE, 28 FT.	EACH	1
87702880	STEEL COMBINATION MAST ARM ASSEMBLY AND POLE, 30 FT.	EACH	1
87703000	STEEL COMBINATION MAST ARM ASSEMBLY AND POLE, 55 FT.	EACH	1
87800100	CONCRETE FOUNDATION, TYPE A	FT.	3
87800150	CONCRETE FOUNDATION, TYPE C	FT.	3.5
87800415	CONCRETE FOUNDATION, TYPE E, 36 INCH DIAMETER	FT.	35
87900200	DRILL EXISTING HANDHOLE	EACH	1
88200400	TRAFFIC SIGNAL BACKPLATE, FORMED PLASTIC	EACH	9
88500100	INDUCTIVE LOOP DETECTOR	EACH	3
88600100	DETECTOR LOOP, TYPE I	FT.	400
88700200	LIGHT DETECTOR	EACH	3
88700300	LIGHT DETECTOR AMPLIFIER	EACH	1
88800100	PEDESTRIAN PUSH-BUTTON	EACH	4
X0324085	EMERGENCY VEHICLE PRIORITY SYSTEM, LINE SENSOR CABLE, NO. 20 3/C	FT.	125
X8730027	ELECTRIC CABLE IN CONDUIT, GROUNDING, NO. 6 1/C	FT.	350
X8801310	SIGNAL HEAD, POLYCARBONATE, LED, 1-FACE, 3-SECTION, MAST ARM MOUNTED	EACH	4
X8801350	SIGNAL HEAD, POLYCARBONATE, LED, 1-FACE, 4-SECTION, MAST ARM MOUNTED	EACH	2
X8801400	SIGNAL HEAD, POLYCARBONATE, LED, 1-FACE, 5-SECTION, MAST ARM MOUNTED	EACH	2
X8810395	PEDESTRIAN SIGNAL HEAD, POLYCARBONATE, LED, 1-FACE, BRACKET MOUNTED	EACH	8
XX002856	RE-OPTIMIZE TRAFFIC SIGNAL SYSTEM	L.SUM	1



INSTALL A W3-3 30"x30" SIGNAL AHEAD SIGN ON MAIN ST. WESTBOUND NEAR THE INTERSECTION OF EVERETT ST. AT A LOCATION TO BE DETERMINED BY THE ENGINEER

INSTALL AN R-10-4B PED CROSSING SIGN AT EACH PED PUSH-BUTTON LOCATION. 4 REQUIRED. INCLUDED IN CONTRACT UNIT PRICE EACH FOR PED PUSH-BUTTON.

NOTE:  
 DAMPENING DEVICE SHALL CONSIST OF A 24" X 30" TYPE 1, UNPAINTED ALUMINUM SIGN STOCK MOUNTED HORIZONTALLY ON TOP OF MAST ARM WITH THE 30" LENGTH PERPENDICULAR TO THE ARM. COST OF THE DAMPENING DEVICE IS INCLUDED IN THE MAST ARM PAY ITEM.



NOTE: MOUNT DAMPENING PLATE TO END OF EACH TRAFFIC SIGNAL MAST ARM.

DAMPENING PLATE DETAIL - TOP VIEW  
 (INCIDENTAL TO THE COST OF MAST ARM PAY ITEM)

ELECTRICAL LOAD FOR INTERSECTION				
STREET NAME	COMPONENT	NUMBER	WATTAGE EACH	BURN TIME %
WASSON ST. NORTHBOUND	RED	4	10	68
	YELLOW	8	19	5
	GREEN	8	14	27
	Ⓜ	2	8	84
	Ⓜ	2	6	16
ILL. RTE. 18/ MAIN ST.	RED	2	10	62
	YELLOW	2	19	5
	GREEN	2	14	33
	Ⓜ	4	8	84
	Ⓜ	4	6	16
WASSON ST. SOUTHBOUND	RED	2	10	73
	YELLOW	4	19	5
	GREEN	4	14	22
TRAFFIC SIGNAL CABINET	CONTROLLER	1	6	100
	EMERGENCY VEHICLE PREEMPT	1	--	--

AGENCY RESPONSIBLE FOR ENERGY CHARGES: CITY OF STREATOR

TRAFFIC SIGNAL DETAILS & SCHEDULES  
 FAP ROUTE 653 (IL 18 COUPLE)  
 SECTION (7)R,RS-2; & (8),RS-1  
 LASALLE COUNTY

### TRAFFIC SIGNAL DETAIL