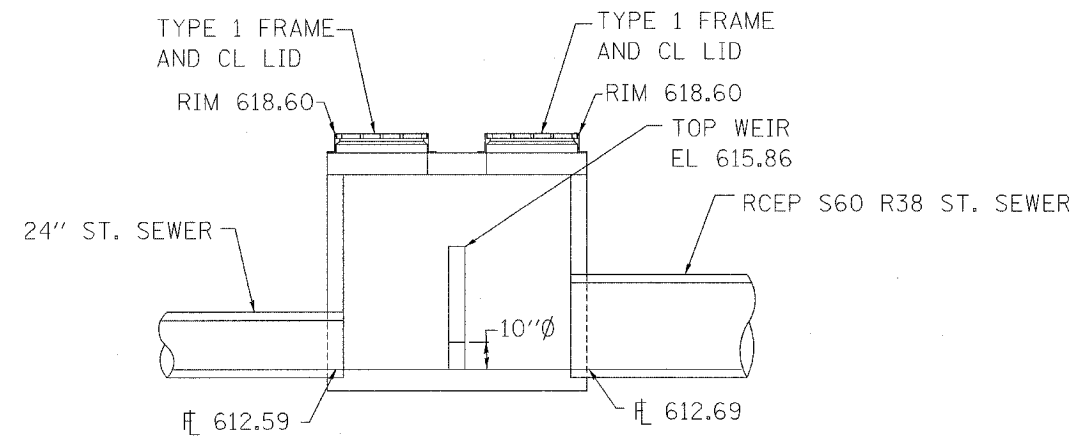
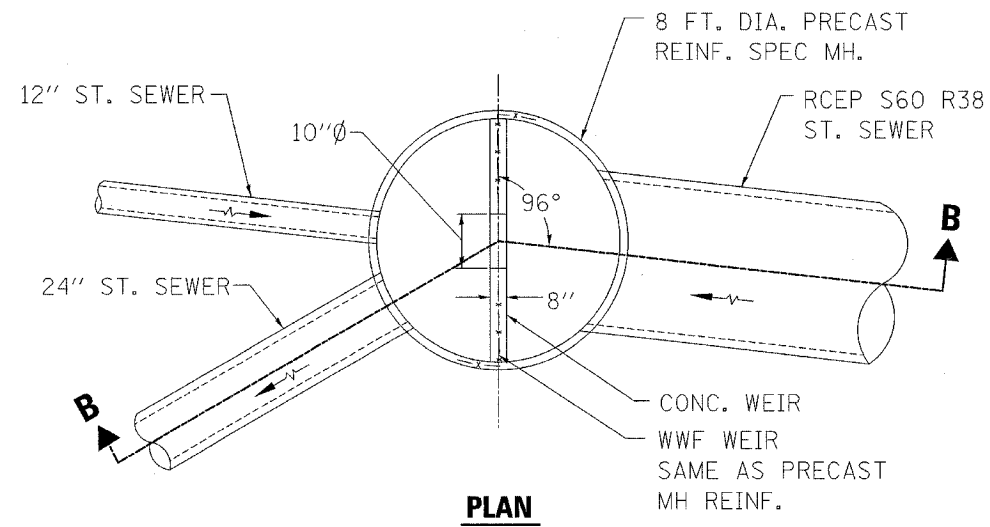


F.A. RTE.	SECTION	COUNTY	TOTAL SHEETS	SHEET NO.
*	**	LASALLE	95	71
STA.		TO STA.		
FED. ROAD DIST. NO. _		ILLINOIS FED. AID PROJECT		

- FAP ROUTE 653 (ROUTE 18 COUPLE)
- SECTION (7)R, RS-2; (8)R, RS-1



**MANHOLE, TYPE A, 8 FT. DIA., 2 TYPE 1 FRAMES, CLOSED LIDS (SPECIAL)**

31.68' LT. STA. 2403+43  
(NO SCALE)