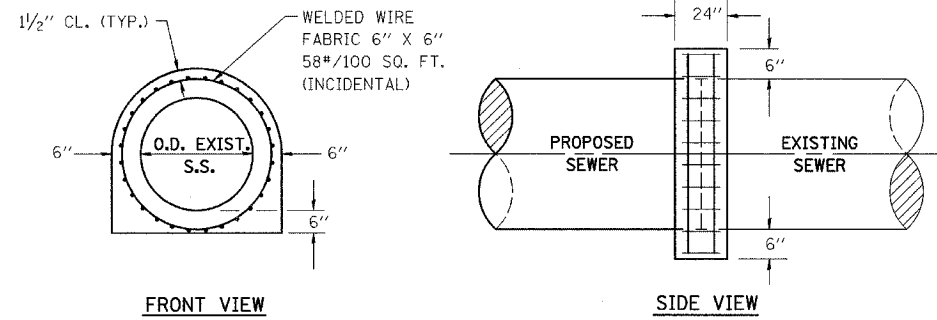


F.A. RTE.	SECTION	COUNTY	TOTAL SHEETS	SHEET NO.
•	••	LASALLE	95	75
STA. _____		TO STA. _____		
FED. ROAD DIST. NO. _____		ILLINOIS FED. AID PROJECT		

- FAP ROUTE 653 (ROUTE 18 COUPLE)
- SECTION (7)R, RS-2; (8)R, RS-1

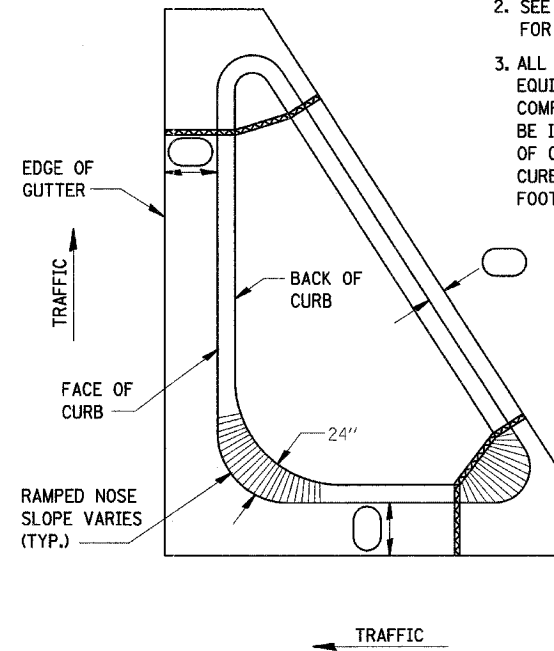


FRONT VIEW

SIDE VIEW

**CONCRETE COLLAR FOR SEWER CONNECTION**

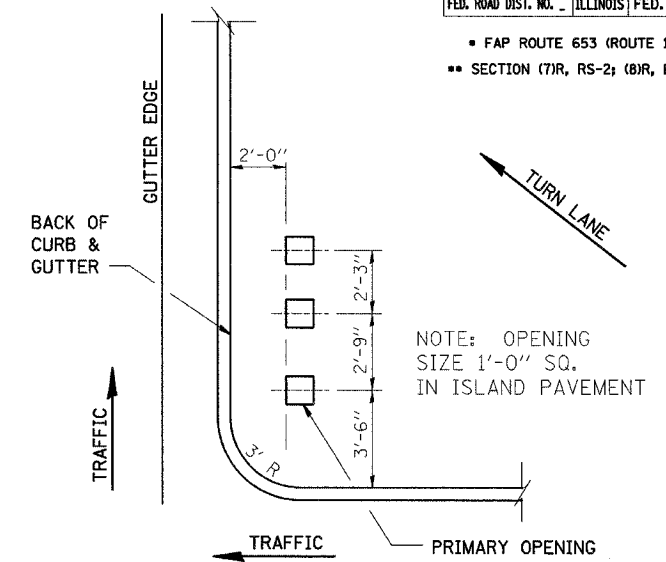
550-1



**GENERAL NOTES:**

1. THE CURB AND GUTTER CONFIGURATION SHALL BE MOUNTABLE TYPE M CURBS AS SHOWN ON PLANS.
2. SEE STD. 606001 & AND 606301 FOR ADDITIONAL DETAILS.
3. ALL MATERIALS, LABOR, AND EQUIPMENT REQUIRED TO COMPLETE THE WORK SHALL BE INCLUDED IN THE COST OF COMBINATION CONCRETE CURB AND GUTTER PER LINEAR FOOT.

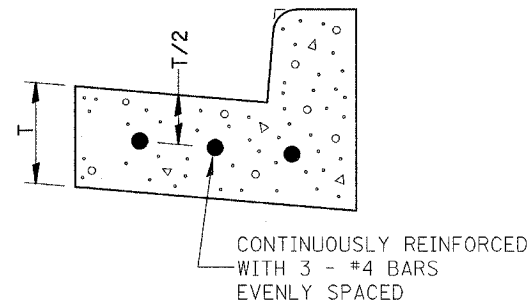
606-1



**ISLAND SIGN POST SPACING DETAIL**

NOTE: THE ENGINEER SHALL DETERMINE THE NUMBER OF OPENINGS REQUIRED.

606-2



CONTINUOUSLY REINFORCED WITH 3 - #4 BARS EVENLY SPACED

REINFORCEMENT SHALL NOT BE PAID FOR SEPARATELY BUT WILL BE INCLUDED IN THE CONTRACT UNIT PRICE FOR CC&G.

**REINFORCEMENT DETAIL FOR COMBINATION CONCRETE CURB AND GUTTER TYPE B-6.24 & TYPE M-6.24**

606-7