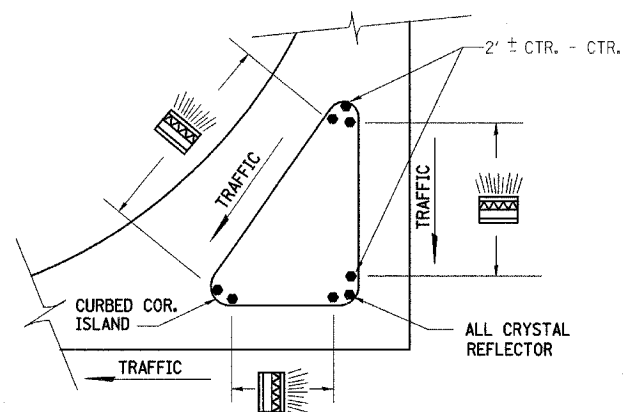


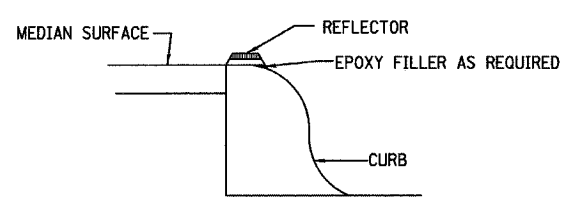
F.A. RTE.	SECTION	COUNTY	TOTAL SHEETS	SHEET NO.
*	**	LASALLE	95	77
STA.		TO STA.		
FED. ROAD DIST. NO.		ILLINOIS FED. AID PROJECT		

* FAP ROUTE 653 (ROUTE 18 COUPLE)
 ** SECTION (7)R, RS-2; (8)R, RS-1



PRISMATIC REFLECTORS

782-2

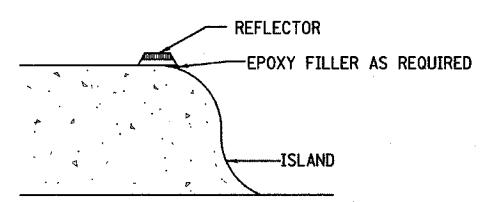


SECTION VIEW

NOTES

1. PRISMATIC REFLECTORS SHALL BE MONO-DIRECTIONAL AND POSITIONED SO THAT THE REFLECTIVE FACE IS FACING THE APPROACHING TRAFFIC.
2. PRISMATIC REFLECTORS SHALL BE SECURED IN PLACE WITH AN EPOXY ADHESIVE.
3. PRISMATIC REFLECTORS SHALL BE EITHER AMBER OR CRYSTAL IN COLOR.

OPTION 1

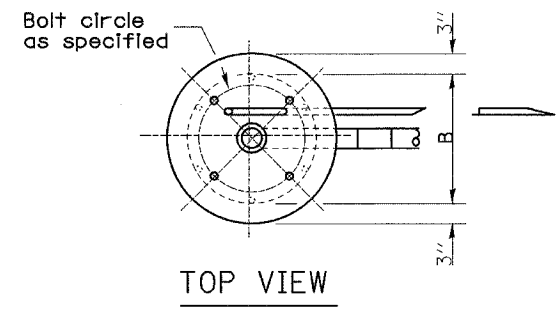


SECTION VIEW

NOTES

1. PRISMATIC REFLECTORS SHALL BE MONO-DIRECTIONAL AND POSITIONED SO THAT THE REFLECTIVE FACE IS FACING THE APPROACHING TRAFFIC.
2. PRISMATIC REFLECTORS SHALL BE SECURED IN PLACE WITH AN EPOXY ADHESIVE.
3. PRISMATIC REFLECTORS SHALL BE EITHER AMBER OR CRYSTAL IN COLOR.

OPTION 2



Mast arm length	A	B	Number of (No. 5) rebar	Foundation depth
Less than 30'	30"	24"	8	(9'-0")*
Greater than or equal to 30' and less than 40'	30"	24"	8	(12'-0")*
Greater than or equal to 40' and less than 50'	30"	24"	8	(15'-0")*
Greater than or equal to 50' and less than 55'	30"	24"	8	(17'-0")*

TYPE E

838-1

THIS DETAIL MODIFIES STANDARD 838001
CONCRETE FOUNDATION FOR MAST ARM