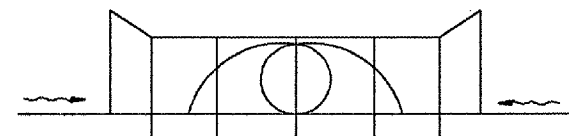
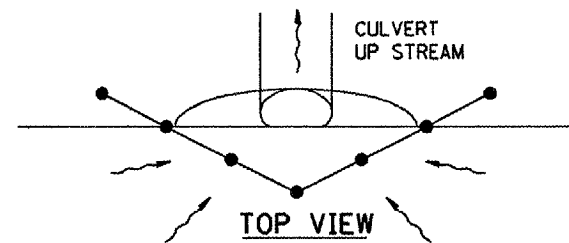


F.A.P. RYE	SECTION	COUNTY	TOTAL SHEETS	SHEET NO.
313	103N-1,TS	WARREN		50
STA.		TO STA.		
FED. ROAD DIST. NO. 4 ILLINOIS FED. AID PROJECT				

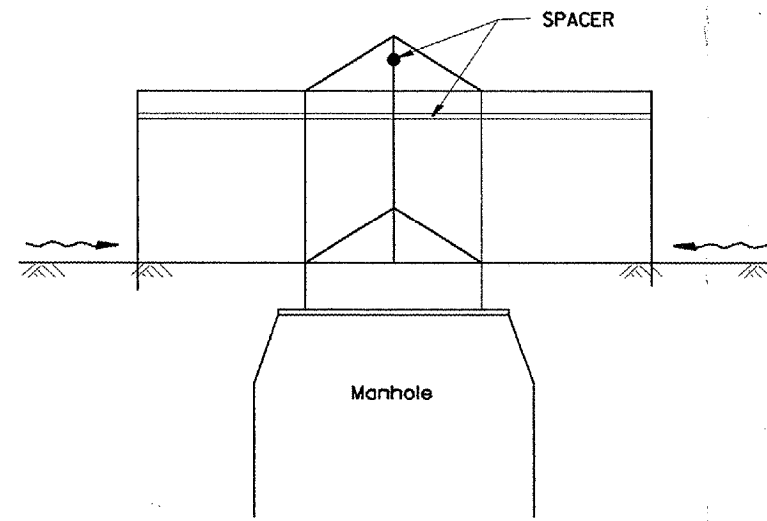


FRONT VIEW

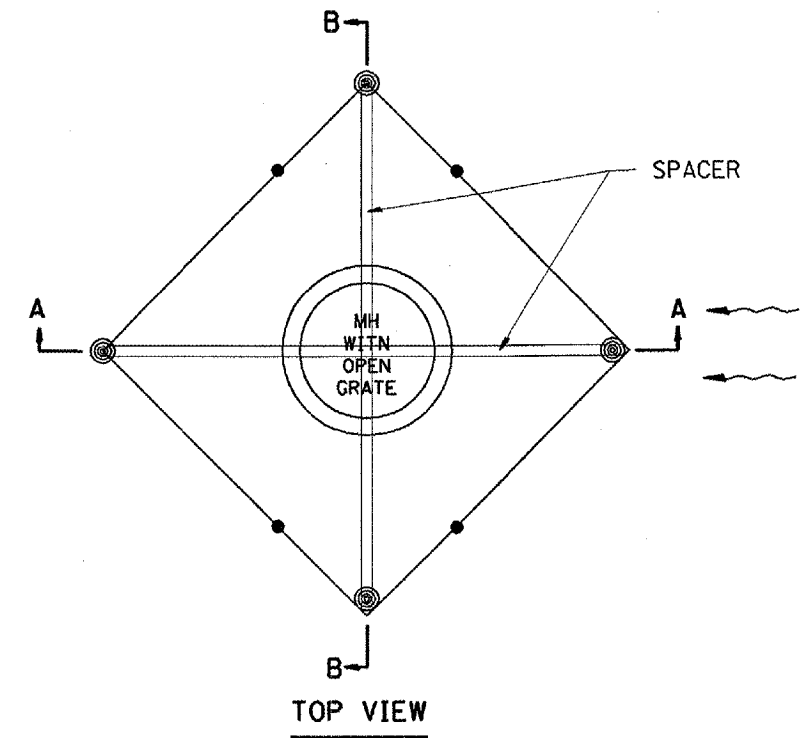


TOP VIEW

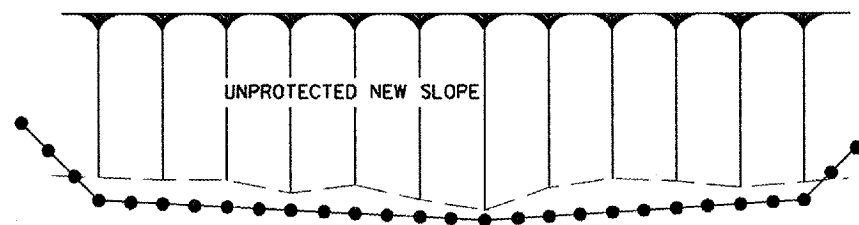
UPSTREAM PIPE CULVERT EROSION CONTROL



SIDE VIEW  
A-A

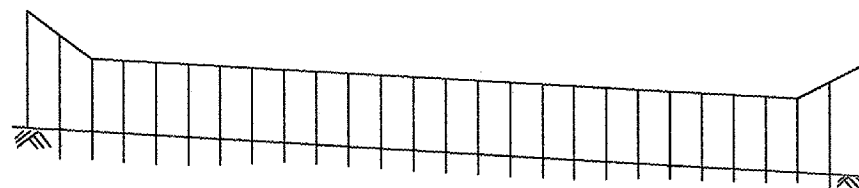


TOP VIEW

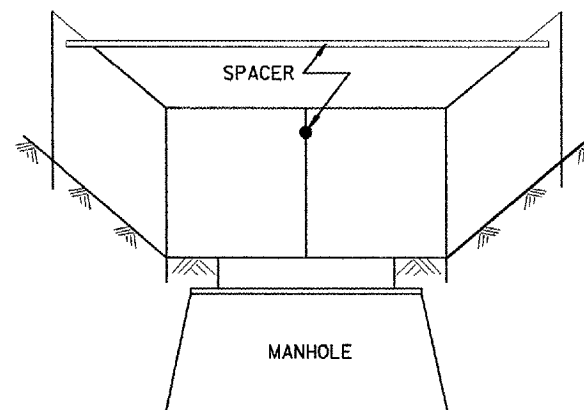


TOP VIEW

UNPROTECTED NEW SLOPE



FRONT VIEW



Front View  
B-B

EROSION CONTROL  
AT  
OPEN GRATE MAN HOLE

GENERAL NOTES:

1. This work shall be performed in accordance with Sections 280 & 1081, of the Standard Specifications.
2. Additional Timber or Metal Post shall be Installed, as needed.

All dimensions are in millimeters (Inches) unless otherwise noted.

ILLINOIS DEPARTMENT OF TRANSPORTATION  
SPECIAL DETAIL SHEET

TYPICAL APPLICATION  
OF  
SILT FILTER FENCE

CADD DETAIL 280001-D4 DRAWN BY CADD  
SCALE: NOT DRAWN TO SCALE CHECKED BY

DATE	REVISIONS	BY
1-1-97	RENUM. A-12.05, NEW REVISION BOX	T.P.
3-11-03	ELIMINATED SILT FENCE DITCH CHECK	M.M.A.

\$\$\$DATE\$\$\$