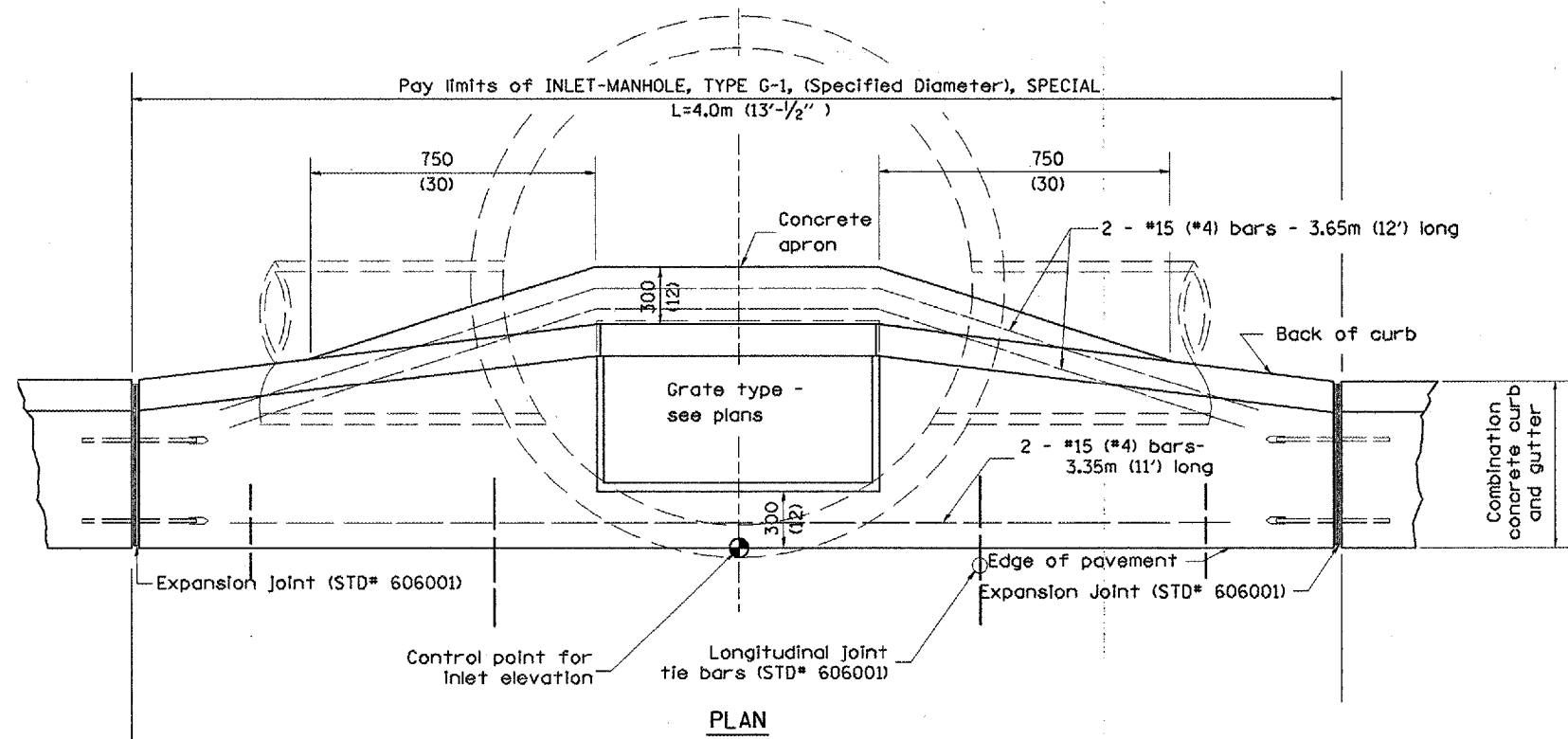
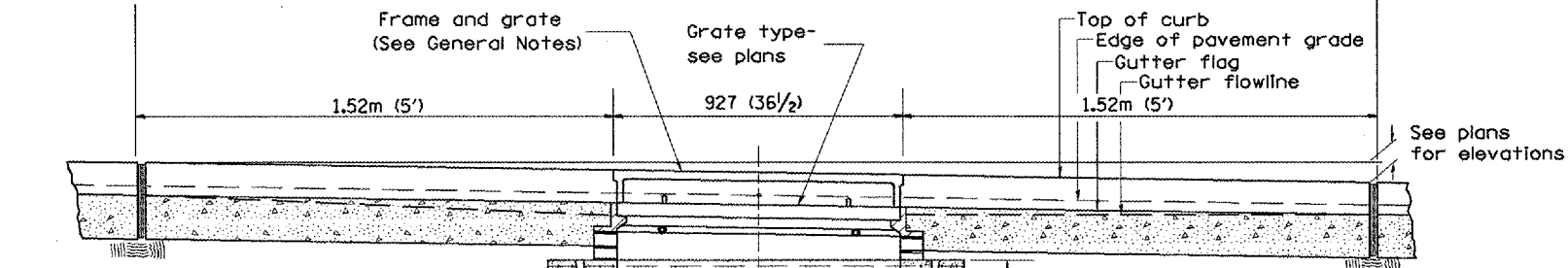


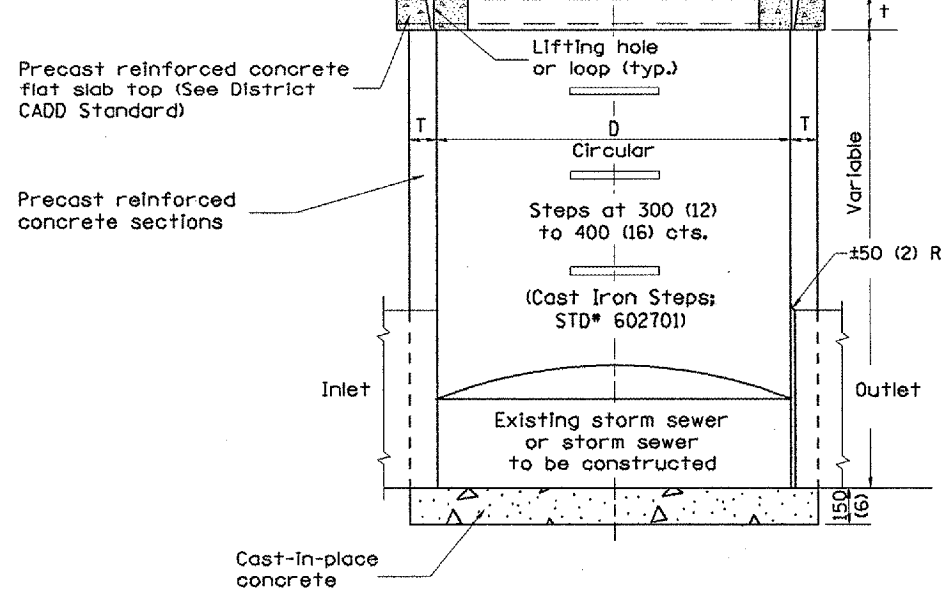
F.A.P. RTE.	SECTION	COUNTY	TOTAL SHEETS	SHEET NO.
313	103N-1,TS	WARREN		57
STA.		TO STA.		
FED. ROAD DIST. NO. 4 ILLINOIS FED. AID PROJECT				



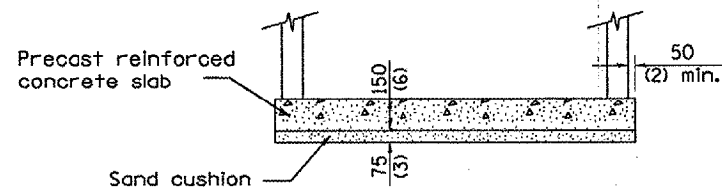
PLAN



ELEVATION (SIDE)

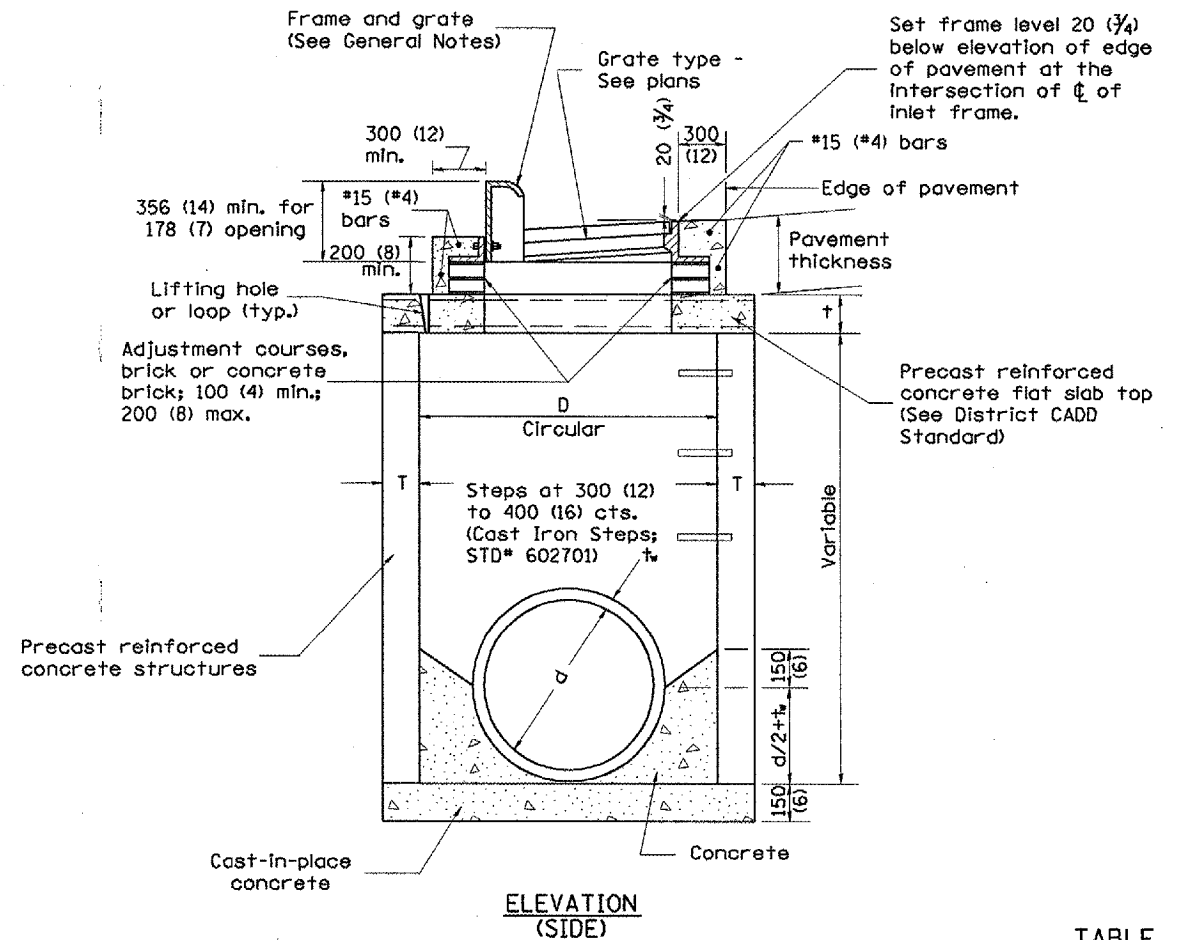


ELEVATION (FRONT)



Prefabricated concrete slab, when the precast reinforced concrete section alternate is used.

ALTERNATE BOTTOM SLAB



ELEVATION (SIDE)

TABLE

D	T	+
1.2m (4')	125 (5)	150 (6)
1.5m (5')	150 (6)	200 (8)
1.8m (6')	195 (7 3/4)	200 (8)
2.4m (8')	225 (9)	250 (10)

GENERAL NOTES

- Inlet-manhole construction shall be in accordance with Section 602 of the Standard Specifications.
- Combination concrete curb and gutter shall be constructed in accordance with Section 606 of the Standard Specifications.
- See District CADD Standard 604001-D4 for frame and grates.
- See District CADD Standard for precast reinforced concrete flat slab top.

All dimensions are in millimeters (Inches) unless otherwise noted.

ILLINOIS DEPARTMENT OF TRANSPORTATION
DISTRICT CADD STANDARD

INLET-MANHOLE,
TYPE G-1, SPECIAL

CADD STANDARD 602026-D4

SCALE NOT TO SCALE

DRAWN BY CADD
CHECKED BY

DATE	REVISIONS	BY
1-1-97	RENUM. B-4.06, NEW REVISION BOX	T.P.
12-1-98	CORRECT E. O. P. NOTE	J.A.
10-99	REVISION TO GENERAL NOTES	J.A.

\$\$\$DATE\$\$\$

DGN-ONLY