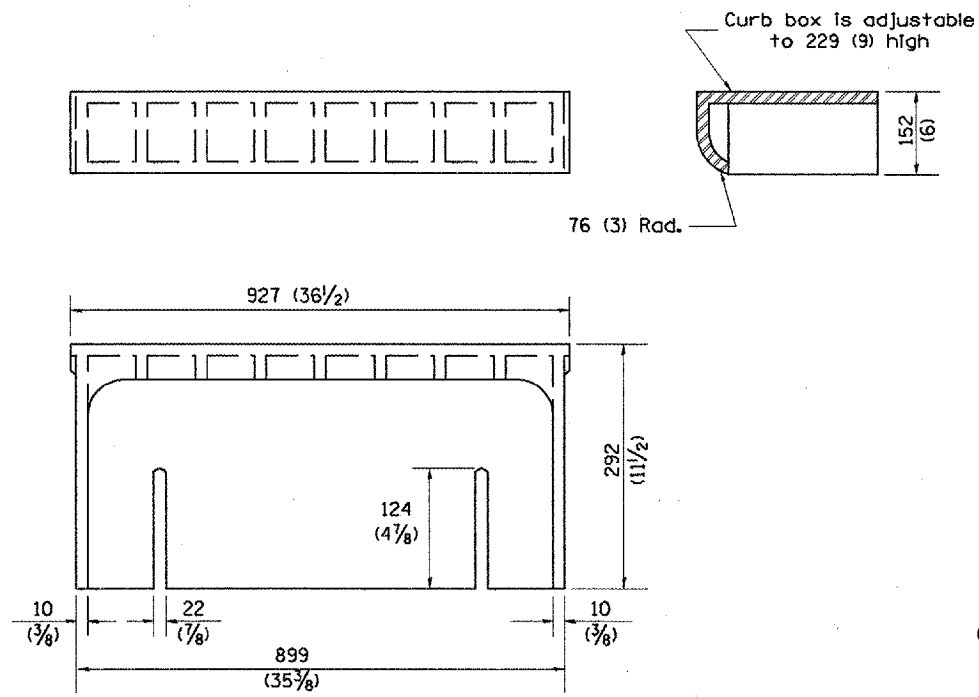
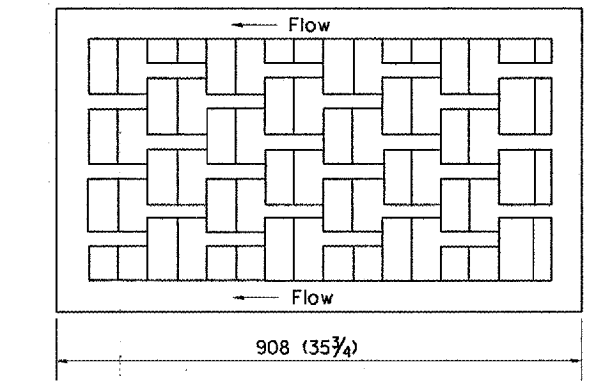


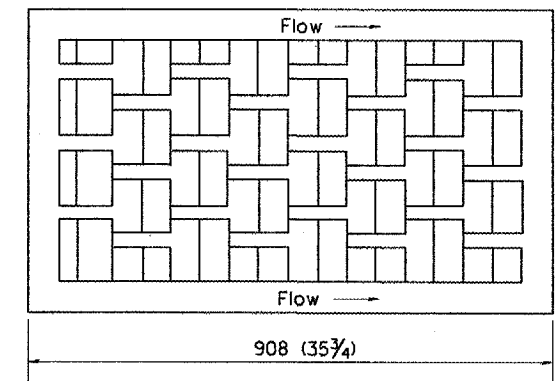
F.A.P. RTE.	SECTION	COUNTY	TOTAL SHEETS	SHEET NO.
313	103N-1,TS	WARREN		60
STA.		TO STA.		
FED. ROAD DIST. NO. 4 ILLINOIS FED. AID PROJECT				



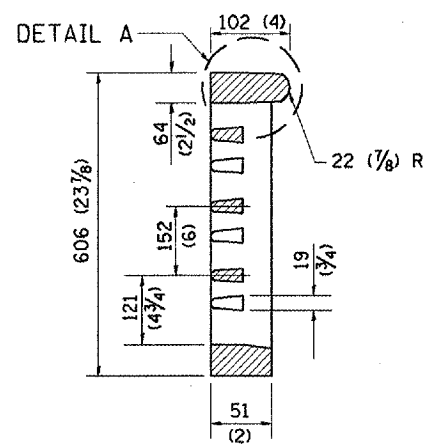
CAST CURB BOX
50 kg (110 lbs.)



FLOW LEFT

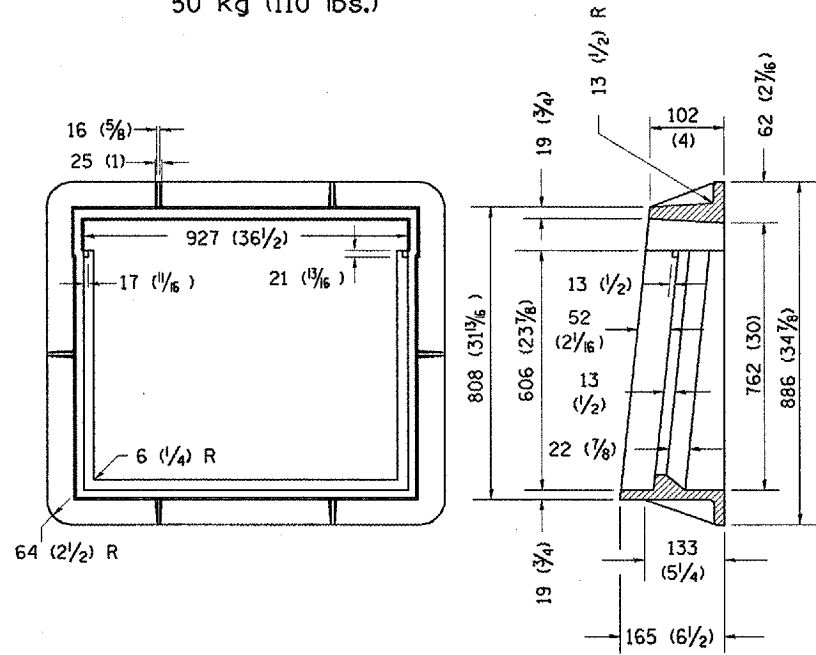


FLOW RIGHT

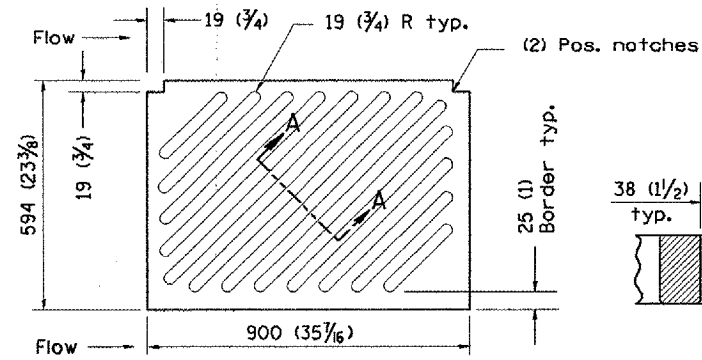


DETAIL B

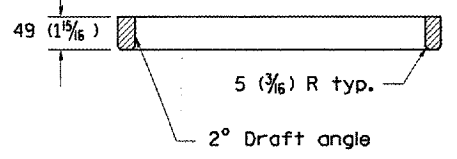
CAST VANE GRATES
(SPECIFY LEFT OR RIGHT FLOW)
104 KG (230 lbs.)



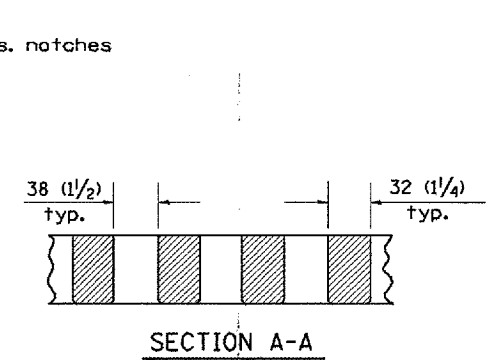
CAST FRAME
123 kg (271 lbs.)



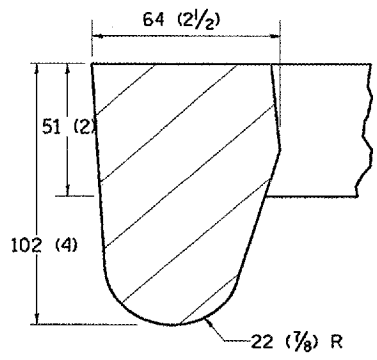
NOTE: Flow right shown



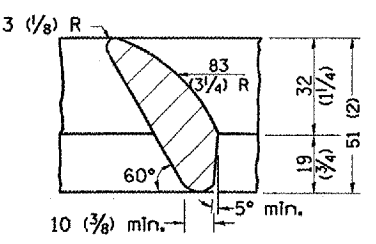
CAST DIAGONAL GRATE
(Reversible for flow)
98 kg (217 lbs.)



SECTION A-A



DETAIL A



DETAIL B

GENERAL NOTES

1. The frame and grate shown on this drawing are for use with all TYPE G-1 and TYPE G-1, SPECIAL DRAINAGE STRUCTURES. See plans for grate type and flow direction.
2. Flow direction: As viewed from street side.
3. Material: cast gray iron.

DATE	REVISIONS	BY
1-1-97	RENUM. B-10.01, NEW REVISION BOX	T.P.

All dimensions are in millimeters (Inches) unless otherwise noted.

ILLINOIS DEPARTMENT OF TRANSPORTATION
DISTRICT CADD STANDARD
FRAME AND GRATES FOR
TYPE G-1 AND TYPE G-1, SPECIAL
DRAINAGE STRUCTURES

CADD STANDARD 604001-D4
SCALE NOT TO SCALE

DRAWN BY CADD
CHECKED BY

\$\$\$DATE\$\$\$

DGN-ONLY