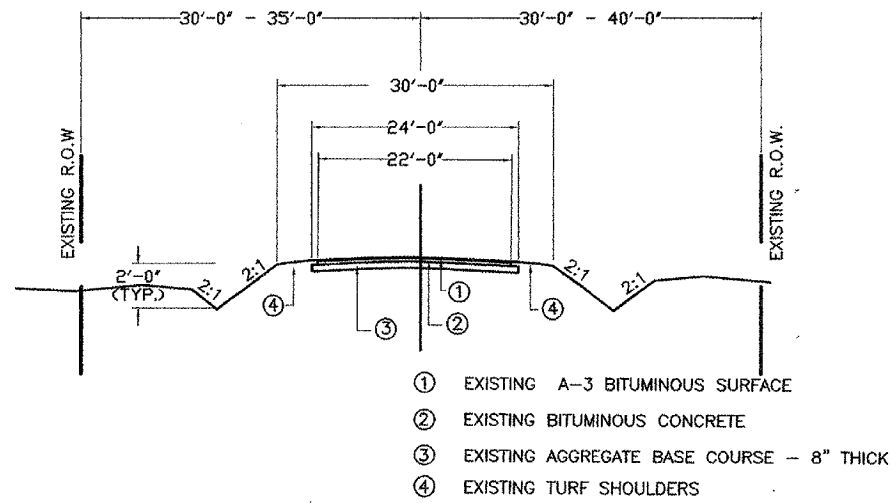
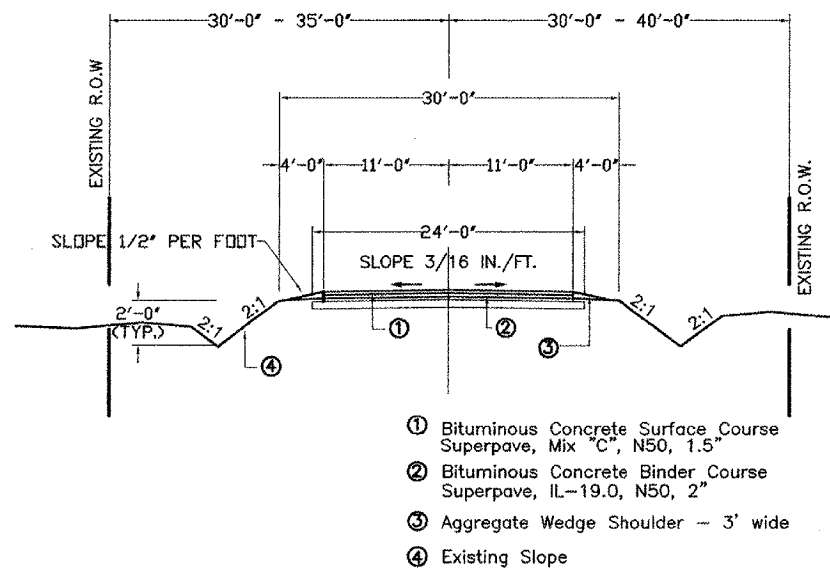


ROUTE	COUNTY	SECTION	SHEET/OF
FAS 1870	RANDOLPH	04-00035-06-RS	2/5

CONTRACT NO. 97268



EXISTING TYPICAL SECTION



PROPOSED TYPICAL SECTION

SUMMARY OF QUANTITIES

1000

Quantity	Unit	Item	Item Number
2,186	GALLON	BITUMINOUS MATERIALS (PRIME COAT)	40600100
147	SQ YD	BITUMINOUS SURFACE REMOVAL-BUTT JOINT	40600980
74	SQ YD	CLASS D PATCHES, TYPE II, 6 INCH	44201717
41	SQ YD	CLASS D PATCHES, TYPE III, 6 INCH	44201721
1,401	TON	AGGREGATE SHOULDERS, TYPE B	48101200
444	FOOT	PIPE CULVERT, TYPE 1, RCCP 24"	54200439
50	FOOT	PIPE CULVERTS, TYPE 1, REINFORCED CONCRETE, EQUIV ROUND-SIZE 42"	54206757
1	L SUM	MOBILIZATION	67100100
1	L SUM	TRAFFIC CONTROL AND PROTECTION, STANDARD 701201	70100450
1	L SUM	TRAFFIC CONTROL AND PROTECTION, STANDARD 701306	70100460
1,780	FOOT	SHORT-TERM PAVEMENT MARKING	70300100
44,214	FOOT	TEMPORARY PAVEMENT MARKING	70300200
44,214	FOOT	PAINT PAVEMENT MARKING - LINE 4"	78001110
46	TON	INCIDENTAL BITUMINOUS SURFACING, SUPERPAVE	XX004949
3,654	TON	BITUMINOUS CONCRETE SURFACE COURSE, SUPERPAVE, MIX "C", N50	X4066414
4,872	TON	BITUMINOUS CONCRETE BINDER COURSE, SUPERPAVE, IL-19.0, N50	X4066614

* SPECIALTY ITEM