

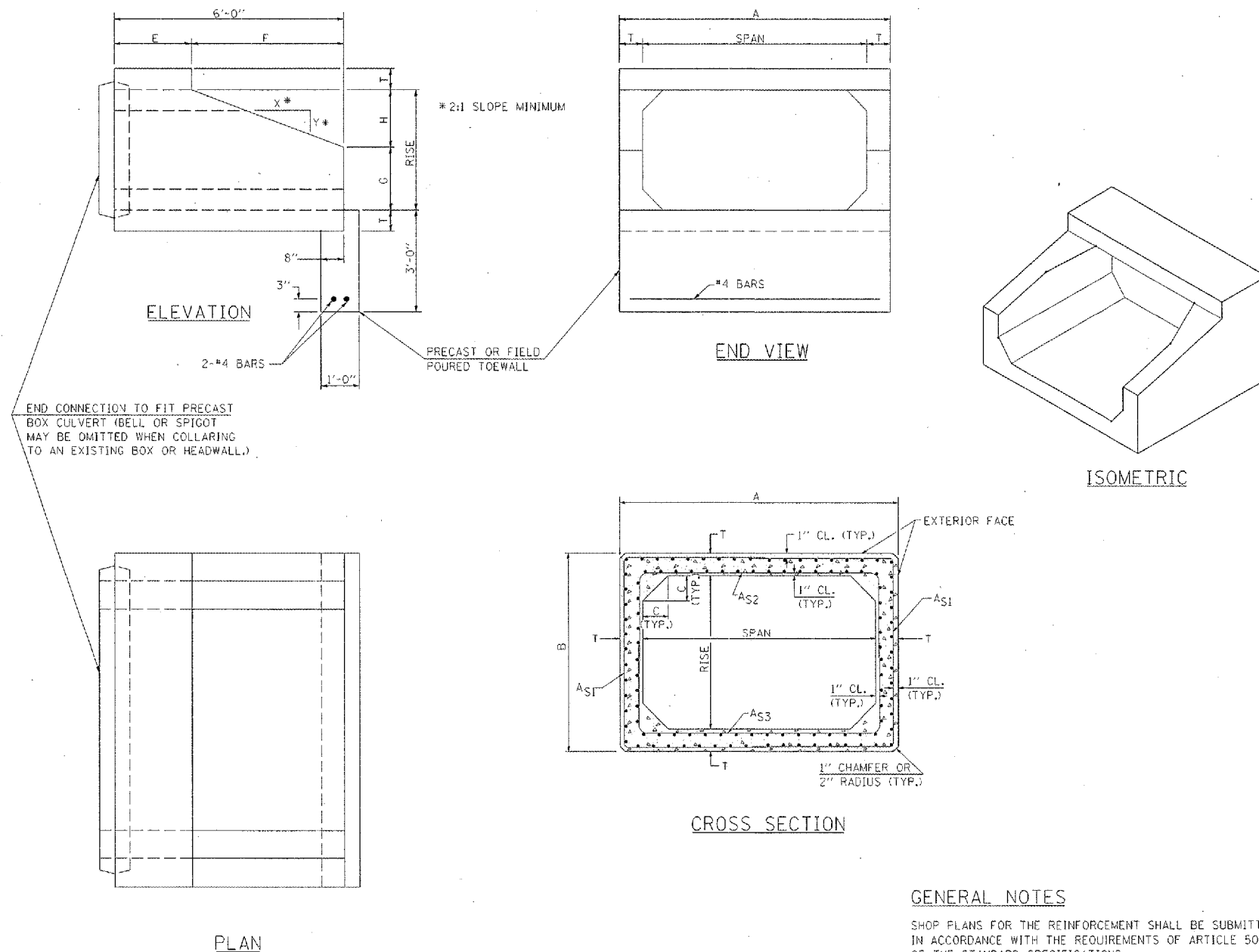
F.A.P. RTE.	SECTION	COUNTY	TOTAL SHEETS	SHEET NO.
VAR	-	VARIOUS	23	14

D-9 CONT. MAINT. FY 06-3

DIMENSIONS \*\*

SPAN X RISE	T (INCHES)	A (FT.-IN.)	B (FT.-IN.)	C (INCHES)	E (FT.-IN.)	F (FT.-IN.)	G (FT.-IN.)	H (FT.-IN.)	SLOPE (X:Y)
2' X 2'	4	2-8	2-8	4	3-0	3-0	1-0	1-0	3:1
3' X 2'	4	3-8	2-8	4	3-0	3-0	1-0	1-0	3:1
3' X 3'	4	3-8	3-8	4	2-0	4-0	1-8	1-4	3:1
4' X 2'	5	4-10	2-10	5	3-0	3-0	1-0	1-0	3:1
4' X 3'	5	4-10	3-10	5	2-0	4-0	1-8	1-4	3:1
4' X 4'	5	4-10	4-10	5	2-0	4-0	2-0	2-0	2:1
5' X 2'	6	6-0	3-0	6	3-0	3-0	1-0	1-0	3:1
5' X 3'	6	6-0	4-0	6	2-0	4-0	1-8	1-4	3:1
5' X 4'	6	6-0	5-0	6	2-0	4-0	2-0	2-0	2:1
5' X 5'	6	6-0	6-0	6					
6' X 2'	7	7-2	3-2	7	3-0	3-0	1-0	1-0	3:1
6' X 3'	7	7-2	4-2	7	2-0	4-0	1-8	1-4	3:1
6' X 4'	7	7-2	5-2	7	2-0	4-0	2-0	2-0	2:1
6' X 5'	7	7-2	6-2	7	2-0	4-0	3-0	2-0	2:1
6' X 6'	7	7-2	7-2	7	2-0	4-0	4-0	2-0	2:1
7' X 4'	8	8-4	5-4	8	2-0	4-0	2-0	2-0	2:1
7' X 5'	8	8-4	6-4	8					
7' X 6'	8	8-4	7-4	8					
7' X 7'	8	8-4	8-4	8					
8' X 4'	8	9-4	5-4	8	2-0	4-0	2-0	2-0	2:1
8' X 5'	8	9-4	6-4	8					
8' X 6'	8	9-4	7-4	8					
8' X 7'	8	9-4	8-4	8					
8' X 8'	8	9-4	9-4	8					
9' X 5'	9	10-6	6-6	9					
9' X 6'	9	10-6	7-6	9					
9' X 7'	9	10-6	8-6	9					
9' X 8'	9	10-6	9-6	9					
9' X 9'	9	10-6	10-6	9					
10' X 5'	10	11-8	6-8	10					
10' X 6'	10	11-8	7-8	10					
10' X 7'	10	11-8	8-8	10					
10' X 8'	10	11-8	9-8	10					
10' X 9'	10	11-8	10-8	10					
10' X 10'	10	11-8	11-8	10					
11' X 4'	11	12-10	5-10	11					
11' X 6'	11	12-10	7-10	11					
11' X 8'	11	12-10	9-10	11					
11' X 10'	11	12-10	11-10	11					
11' X 11'	11	12-10	12-10	11					
12' X 4'	12	14-0	6-0	12					
12' X 6'	12	14-0	8-0	12					
12' X 8'	12	14-0	10-0	12					
12' X 10'	12	14-0	12-0	12					
12' X 12'	12	14-0	14-0	12					

DETAIL OF PRECAST CONCRETE BOX CULVERT END SECTION



END CONNECTION TO FIT PRECAST BOX CULVERT (BELL OR SPIGOT MAY BE OMITTED WHEN COLLARING TO AN EXISTING BOX OR HEADWALL.)

**\*\*NOTE:**  
THE DIMENSIONS INDICATED ARE FOR END SECTIONS THAT ARE TO BE USED WITH PRECAST BOX CULVERT SECTIONS DESIGNED FOR 2' OR MORE OF FILL. THE DIMENSIONS MUST BE MODIFIED FOR THE END SECTION TO BE COMPATIBLE WITH PRECAST CULVERT SECTIONS DESIGNED FOR LESS THAN 2' OF FILL.

**GENERAL NOTES**  
SHOP PLANS FOR THE REINFORCEMENT SHALL BE SUBMITTED IN ACCORDANCE WITH THE REQUIREMENTS OF ARTICLE 504.04(G) OF THE STANDARD SPECIFICATIONS.  
MINIMUM CONCRETE STRENGTH SHALL BE 5000 PSI AFTER 28 DAYS.  
THE JOINTS OF THE PRECAST BOX SECTIONS SHALL BE SEALED WITH MASTIC IN ACCORDANCE WITH ARTICLE 1055.01 OF THE STANDARD SPECIFICATIONS FOR ROAD AND BRIDGE CONSTRUCTION.  
THE TERMS AS1, AS2, & AS3 DENOTE THE REQUIRED STEEL AREAS FOR REINFORCEMENT AS SPECIFIED IN AASHTO M259. REINFORCEMENT SHALL BE WELDED WIRE FABRIC CONFORMING TO AASHTO M55-81.

REVISIONS  
DRAWN: 3-8-99  
CHECKED: 3-22-99  
REVISED: 1-19-99  
REVISED: 8-19-99  
STD. 9-50

PLOT DATE = 2/2/2006  
FILE NAME = c:\pwworking\autocad\98924\98924.dwg  
PLOT SCALE = 100.0000  
USER NAME = c:\stem