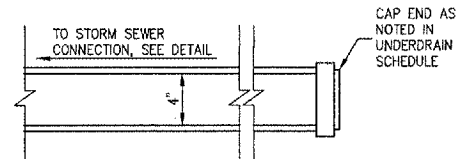


NOTE: COST OF CONNECTION INCIDENTAL TO CONTRACT

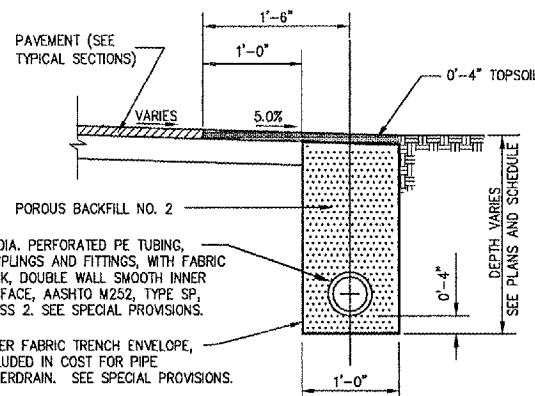
STORM SEWER CONCRETE COLLAR AND GROUT CONNECTION DETAIL



NOTE:

CAP MUST BE APPROVED PRIOR TO INSTALLATION, SEE SPECIAL PROVISIONS.

UNDERDRAIN CAPPED END



4" DIA. PERFORATED PE TUBING, COUPLINGS AND FITTINGS, WITH FABRIC SOCK, DOUBLE WALL SMOOTH INNER SURFACE, AASHTO M252, TYPE SP, CLASS 2. SEE SPECIAL PROVISIONS.

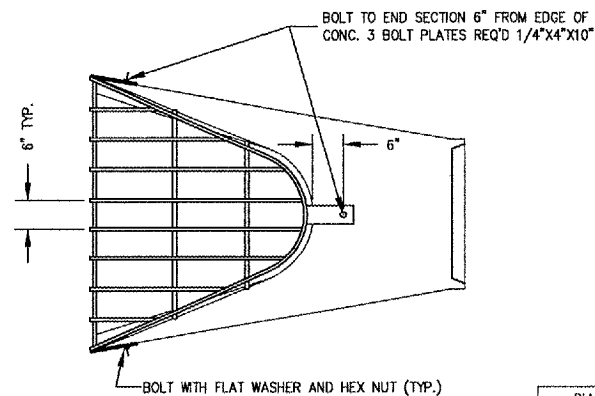
FILTER FABRIC TRENCH ENVELOPE, INCLUDED IN COST FOR PIPE UNDERDRAIN. SEE SPECIAL PROVISIONS.

UNDERDRAIN ALONG PAVEMENT EDGE

UNDERDRAIN SCHEDULE						
Structure	Station	Offset	Type	Invert El.	Pay Length	Slope %
U1	700+16.53	63.53' LT	Capped End	779.76	87.5'	0.86
U2	700+82.27	19.0' LT	RCP Connection	779.00		
U9	701+36.61	0' RT	High Point	778.53	19.0'	1.79
U4	701+36.61	19.0' LT	90° Connection	778.19	55.0'	0.30
U3	700+82.27	19.0' LT	RCP Connection	778.02		
U5	700+12.84	59.4' RT	Capped End	779.58	88.0'	0.79
U6	700+82.27	19.0' RT	RCP Connection	778.88		
U9	701+36.61	0' RT	High Point	778.53	68.0'	0.44
U8	701+36.82	66.82' RT	Wye Connection	778.23	79.0'	0.30
U7	700+82.27	19.0' RT	RCP Connection	777.99		

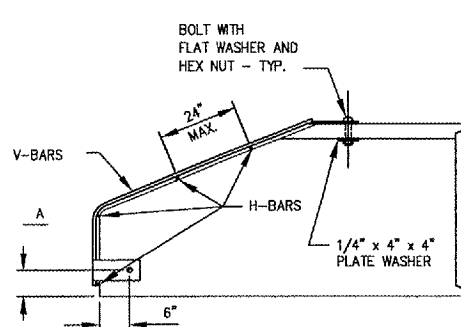
NOTES:

- FOR ADDITIONAL RCP CONNECTION INFORMATION, SEE STORM SEWER CONCRETE COLLAR AND GROUT CONNECTION DETAIL.
- FOR ADDITIONAL CAPPED END INFORMATION, SEE UNDERDRAIN INSPECTION HOLE DETAIL.



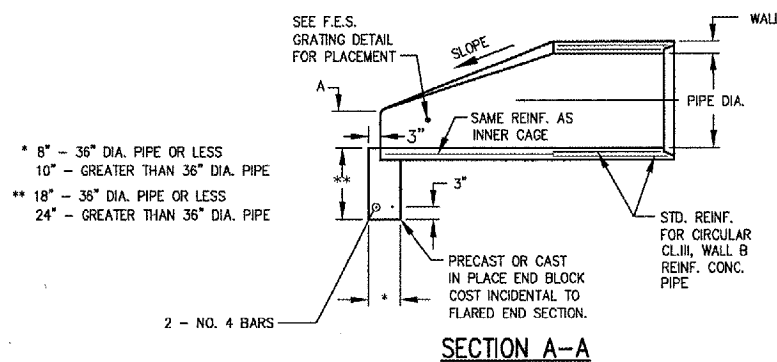
NOTES

- BARS AND PLATES ARE HOT ROLLED STEEL.
- BARS, PLATES, PIPE AND BOLTS ARE GALVANIZED.



END SECTIONS	DIA. INCHES	V-BAR SIZE	H-BAR SIZE	No. OF H-BARS REQ'D.	BOLT DIA. INCHES	"A" DIM. INCHES
		12	1/2#	5/8#	3	1/2

GRATING FOR FLARED END SECTION



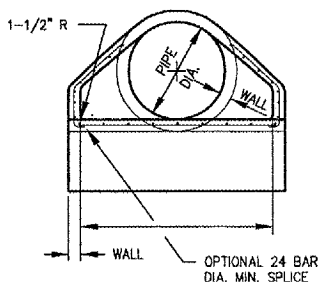
- * 8" - 36" DIA. PIPE OR LESS
- 10" - GREATER THAN 36" DIA. PIPE
- ** 18" - 36" DIA. PIPE OR LESS
- 24" - GREATER THAN 36" DIA. PIPE

PIPE DIA.	WALL	A	B	C	D	E	R	SLOPE
12"	2"	4"	2'-0"	4'-0 7/8"	6'-0 7/8"	2'-0"	9"	3:1

NOTES

- GRATING SHALL BE PAID FOR UNDER ITEM AR752518.
- THE END BLOCK SHALL BE PLACED PRIOR TO THE INSTALLATION OF THE FLARED END SECTION. THE END BLOCK SHALL BE BACKFILLED IN ACCORDANCE WITH ARTICLE 502.10 OF IDOT SPECIFICATIONS, WITH COST INCIDENTAL TO FLARED END SECTION.
- PRECAST CONCRETE FLARED END SECTIONS SHALL CONFORM TO THE APPLICABLE REQUIREMENTS OF AASHTO M-170 CLASS III, WALL B REINFORCED CONCRETE PIPE.

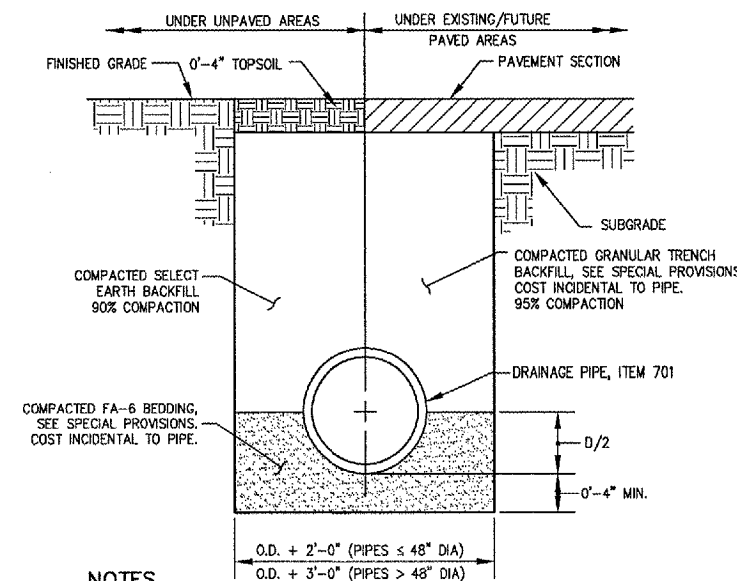
PRECAST CONCRETE FLARED END SECTION (IDOT STANDARD 542301)



END VIEW

STORM SEWER SCHEDULE									
Structure	Station	Offset	Type	Diameter	Rim El.	Invert El.	Pay Length	Size	Slope %
N1	700+82.27	50.30' LT	FES	12"	N/A	778.10	90.5'	12"	0.30
N2	700+82.27	52.23' RT	FES	12"	N/A	777.79			

STORM SEWER SCHEDULE



NOTES

- UNSUITABLE MATERIAL ENCOUNTERED DURING PLACEMENT OF BEDDING SHALL BE REMOVED AND REPLACED.
- WITHIN 3 FEET OF EXISTING AND FUTURE PAVED AREA, GRANULAR BACKFILL IS TO BE USED INSTEAD OF EARTH BACKFILL.

PIPE TRENCH

DETAILS SHOWN ARE NOT TO SCALE

No.	Drawing Issue Description	Date	By

Date
MARCH 3, 2006
Sheet Title

STORM SEWER AND UNDERDRAIN SCHEDULES AND DETAILS

843-05B8009
Project Number
SJM 12/08/05
Layout By Date
SJM, KLK 12/08/05
Designed By Date
RMH 02/03/06
Reviewed By Date
SJM
Drawn By Sheet No.