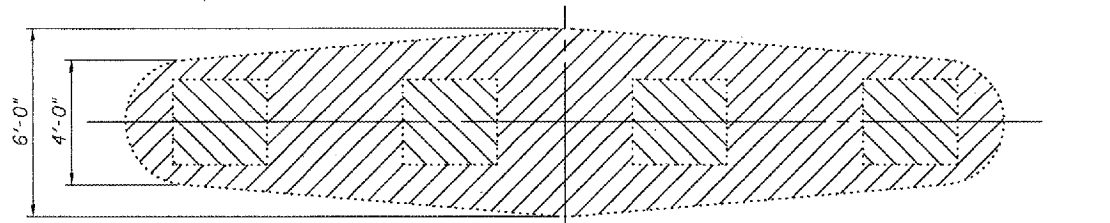


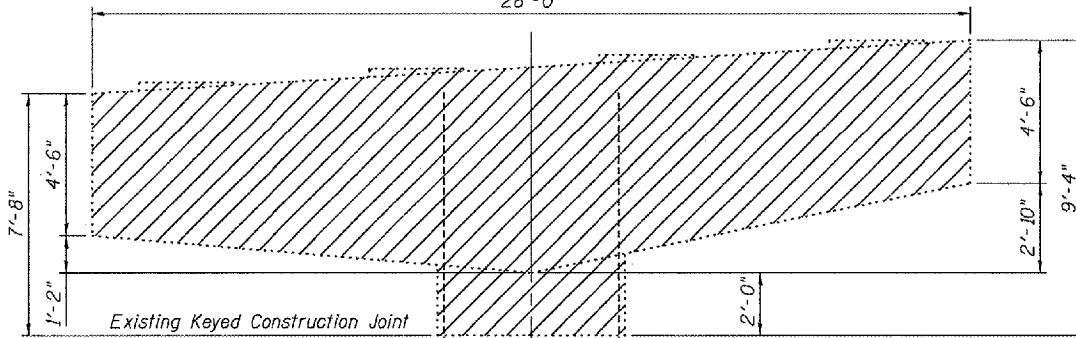
STATE OF ILLINOIS
DEPARTMENT OF TRANSPORTATION

ROUTE NO.	SECTION	COUNTY	SHEET	SHEET NO.
		Cook	17 9	4
FED. ROAD DIST. NO. 7		ILLINOIS	FED. AID PROJECT	5 SHEETS
Contract Number: 62870				

*5-#6 u(E) bars at 12" in Double Pairs
**1-#6 u₂(E) thru u₈(E) bars at 12" in Pairs



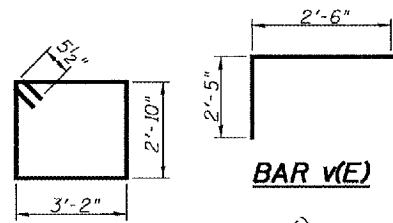
PLAN



ELEVATION

BAR u₁(E), u₂(E), u₃(E), & u₄(E)

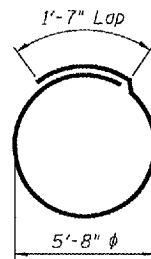
BAR u₅(E), u₆(E), u₇(E), & u₈(E)



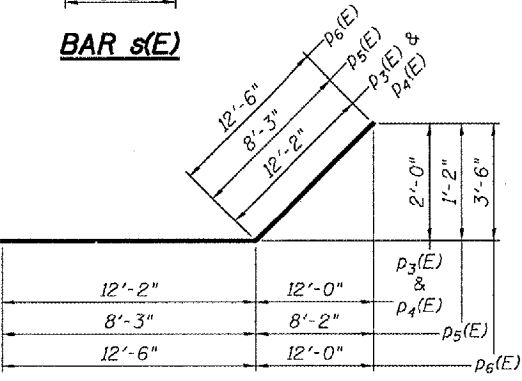
BAR s(E)

BAR v(E)

BAR p(E)



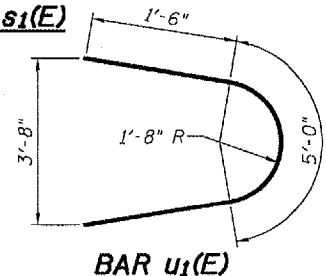
BAR s₁(E)



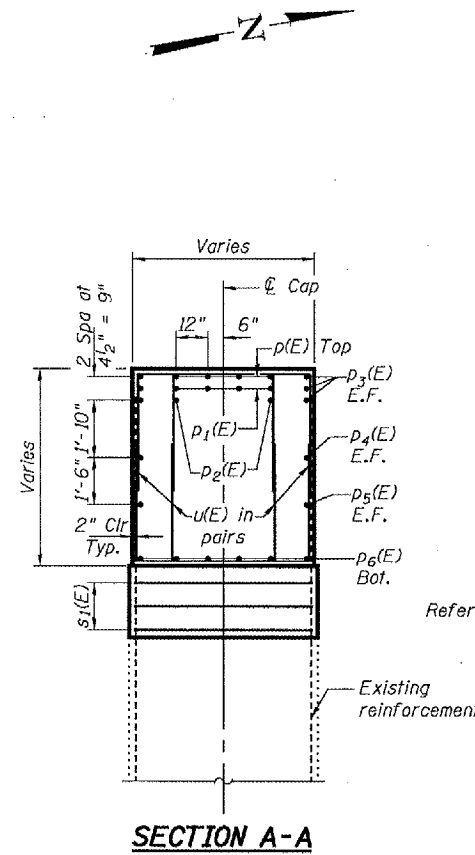
BAR p₃(E), p₄(E), p₅(E), & p₆(E)

DESIGNED	JSB
CHECKED	ATH
DRAWN	baliva
CHECKED	JSB ATH

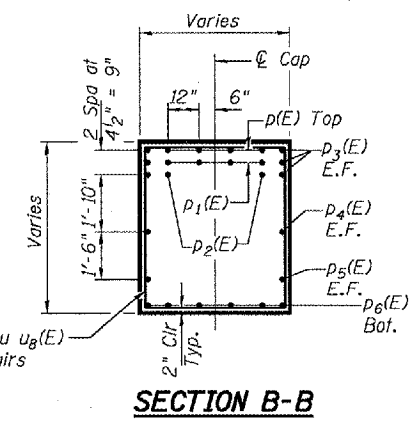
MARCH 20, 2005
EXAMINED *John A. Morris*
ENGINEER OF STRUCTURAL SERVICES
PASSED *Ralph E. Anderson*
ENGINEER OF BRIDGES AND STRUCTURES



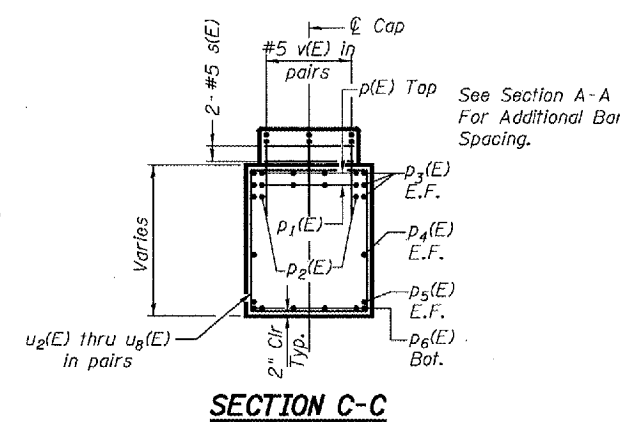
BAR u₁(E)



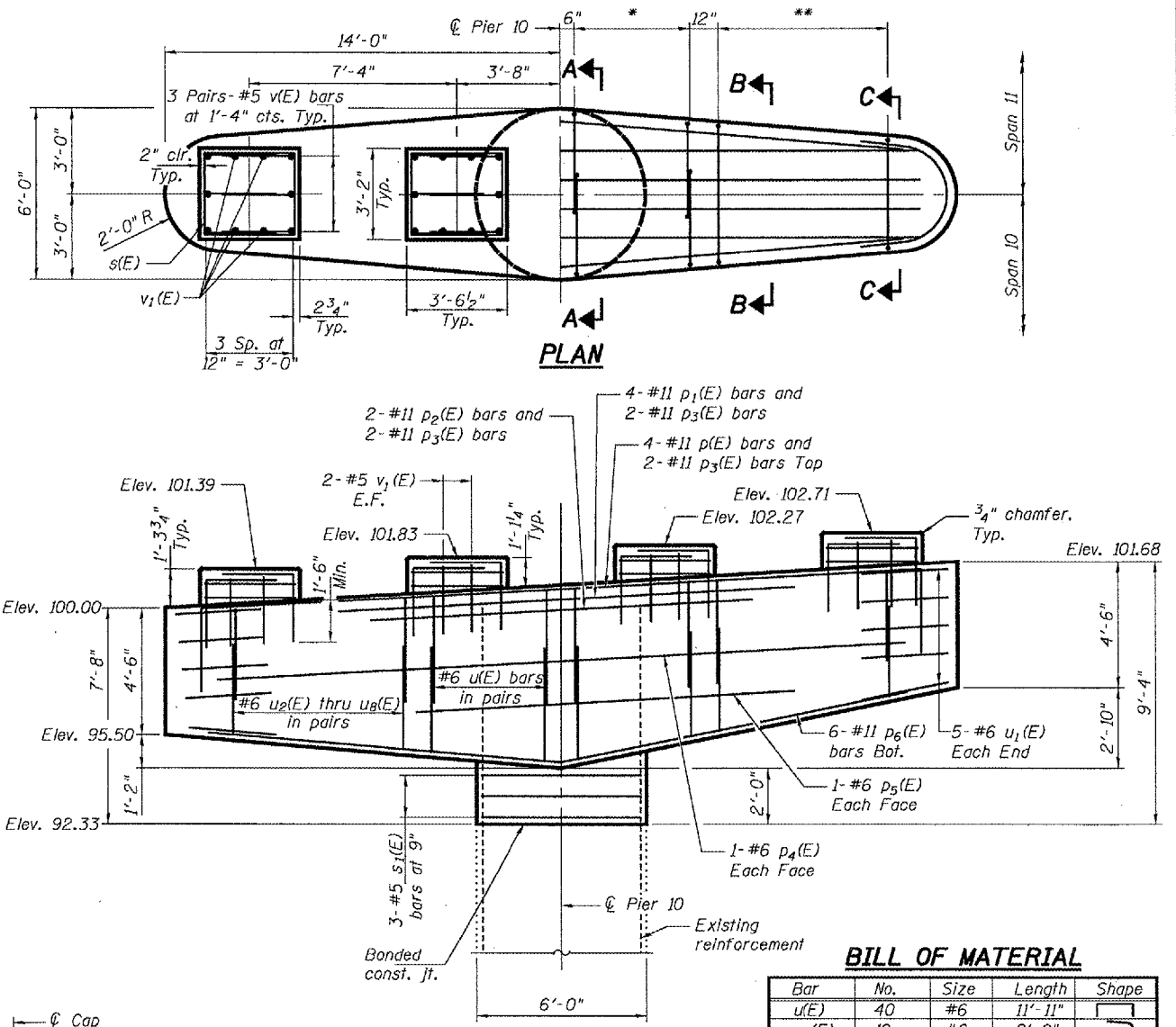
SECTION A-A



SECTION B-B



SECTION C-C



ELEVATION

BILL OF MATERIAL

Bar	No.	Size	Length	Shape
p(E)	4	#11	31'-6"	▮
p ₁ (E)	4	#11	16'-6"	▮
p ₂ (E)	2	#11	13'-6"	▮
p ₃ (E)	6	#11	24'-4"	▮
p ₄ (E)	2	#6	24'-4"	▮
p ₅ (E)	2	#6	16'-6"	▮
p ₆ (E)	6	#11	25'-0"	▮
s(E)	8	#5	12'-11"	□
s ₁ (E)	3	#5	19'-7"	○

BILL OF MATERIAL

Bar	No.	Size	Length	Shape
u(E)	40	#6	11'-11"	▮
u ₁ (E)	10	#6	8'-0"	▮
u ₂ (E)	4	#6	10'-8"	▮
u ₃ (E)	4	#6	10'-10"	▮
u ₄ (E)	4	#6	11'-0"	▮
u ₅ (E)	4	#6	11'-2"	▮
u ₆ (E)	4	#6	11'-4"	▮
u ₇ (E)	4	#6	11'-6"	▮
u ₈ (E)	4	#6	11'-8"	▮
v(E)	24	#5	4'-11"	▮
v ₁ (E)	16	#5	2'-7"	▮
Concrete Removal			Cu. Yd.	29.7
Concrete Structures			Cu. Yd.	31.5
Reinforcement Bars, Epoxy Coated			Lbs.	4480

Reinforcement bars designated (E) shall be epoxy coated.

Notes:
Hatched areas indicate "Concrete Removal".
Existing reinforcement extending into the removal area shall be cleaned, straightened and incorporated into the new construction.
Any reinforcement bars that are damaged during concrete removal shall be replaced with an approved bar splicer or anchorage system.
Cost included with Concrete Removal.

PIER 10
LOC 2; STONEY ISLAND CONNECTOR
TO FAI 94 RAMP Q STRUCTURE
COOK COUNTY
SN 016-2437