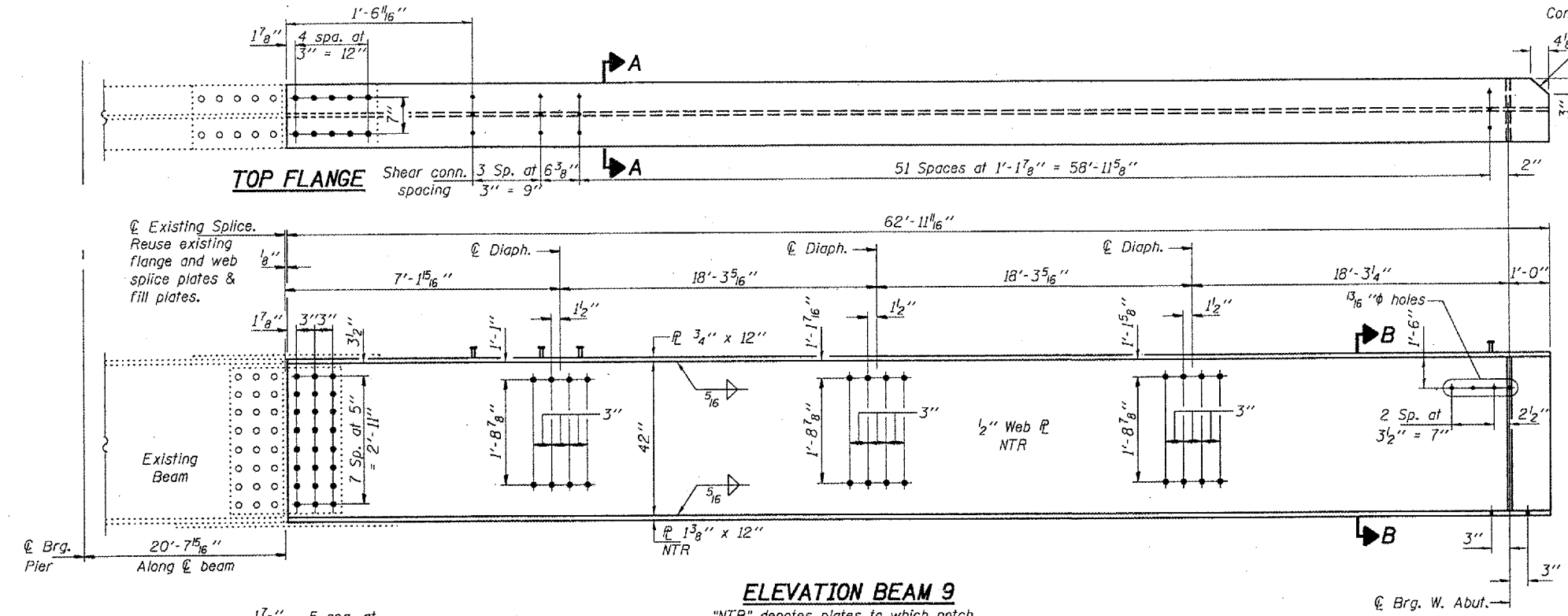
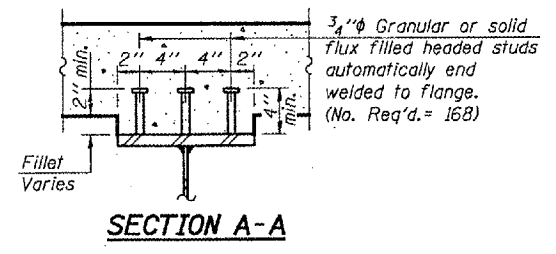
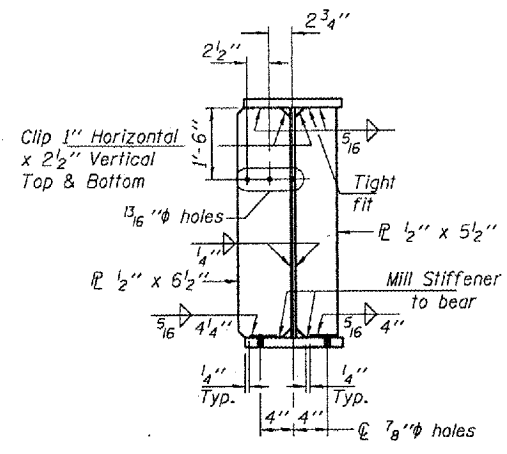


STATE OF ILLINOIS
DEPARTMENT OF TRANSPORTATION

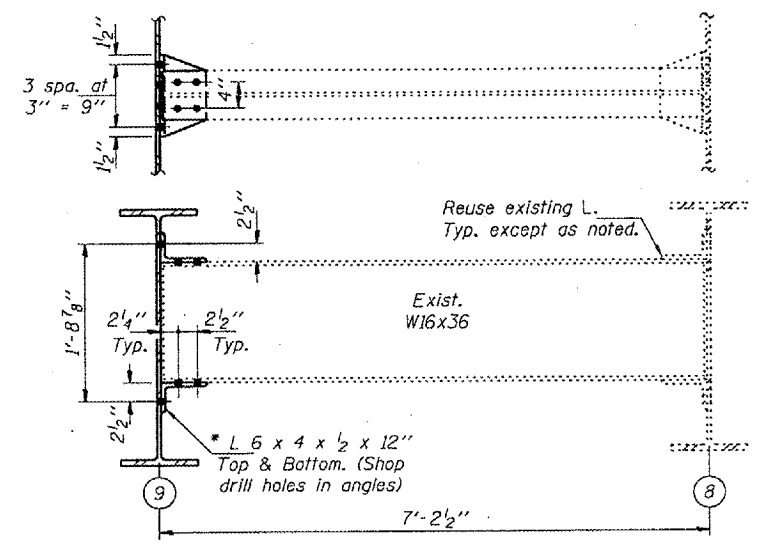
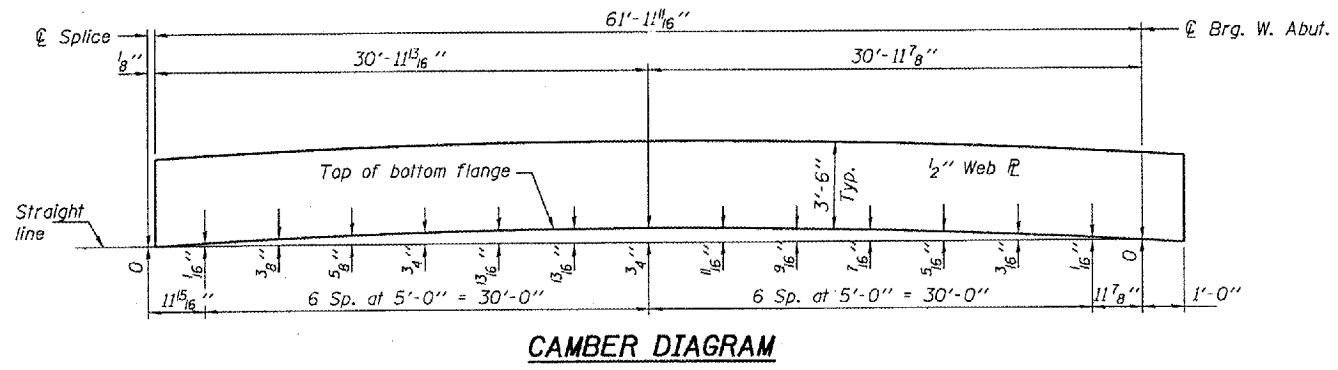
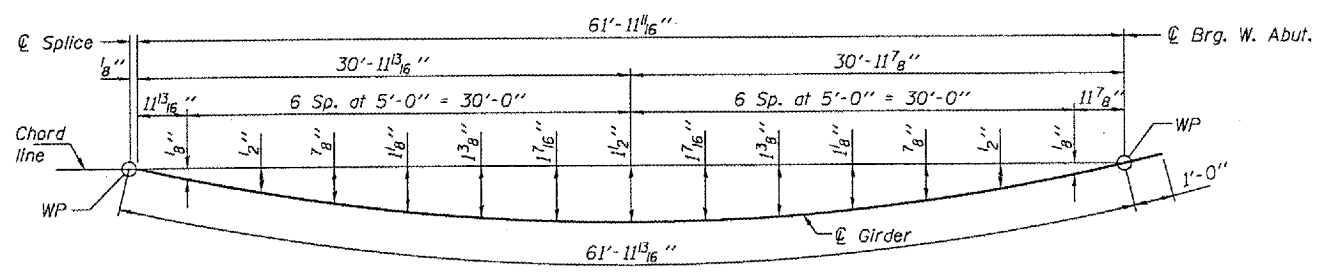
ROUTE NO.	SECTION	COUNTY	DATE	SHEET NO.
		LAKE	11	6
FED. ROAD DIST. NO.		STATE	FED. AID PROJECT	

SHEET NO. 4
6 SHEETS

Contract No. 62874



"NTR" denotes plates to which notch toughness requirements are applicable.



Field drill holes in existing diaphragm using holes in new L as template. Cost included with Furnishing and Erecting Structural Steel.

* Existing L to be removed using the air-arc method and grind smooth all weld material remaining on the flanges of the diaphragm.

BEAM DETAILS
IL RTE 137 OVER US RTE 45
LAKE COUNTY
SN 049-0170

Notes:
Diaphragm connection holes shall be 1 5/16 inch for 3/4 inch bolts. Two hardened washers shall be required at diaphragm connections.

DESIGNED	JSB	MARCH 15, 2005
CHECKED	PSJ	EXAMINED <i>John A. Morris</i> ENGINEER OF STRUCTURAL SERVICES
DRAWN	baliva	PASSED <i>Ralph E. Anderson</i> ENGINEER OF BRIDGES AND STRUCTURES
CHECKED	JSB PSJ	

REP-2 1-27-2000