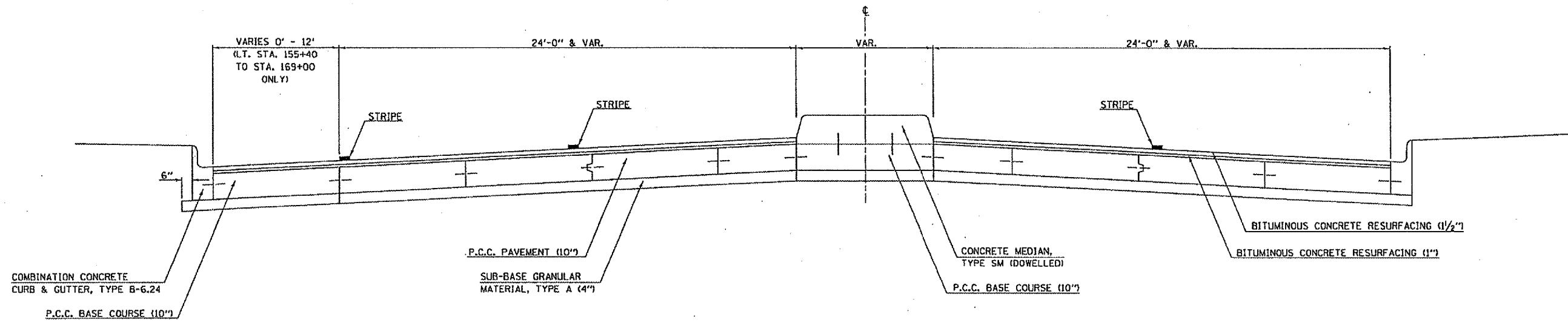


| P.A. RTE. | SECTION | COUNTY | TOTAL SHEETS | SHEET NO. |
|-----------|---------|--------|--------------|-----------|
| VAR. | * | ** | 23 | 18 |

• D-5 CONTRACT MAINT 2005-9
 ** CHAMPAIGN & VERMILION
 CONTRACT NO. 70448

TYPICAL CROSS SECTION 7A

LOCATION #7
 STATION 152+50.00 TO STATION 169+79.00 (UNIVERSITY AVE.)



TYPICAL CROSS SECTION 7B

LOCATION #7
 STATION 266+00.00 TO STATION 275+39.80 (CUNNINGHAM AVE.)

