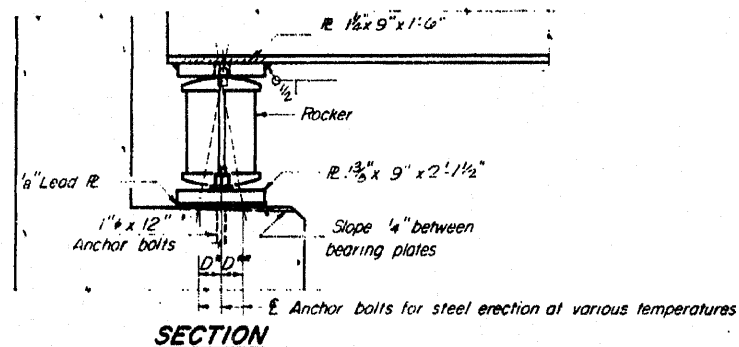
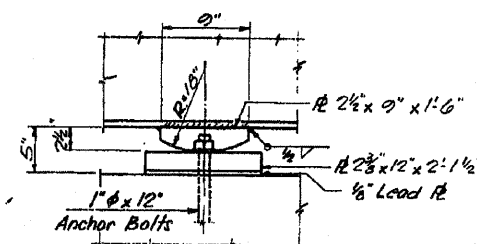


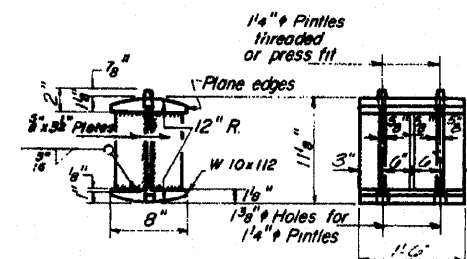
ROUTE NO.	SECTION	COUNTY	TOTAL SHEETS	SHEET NO.
F.A. 403	195-2	WHITESIDE	480	178
10 SHEETS				



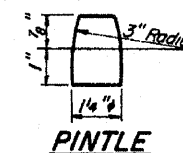
SECTION



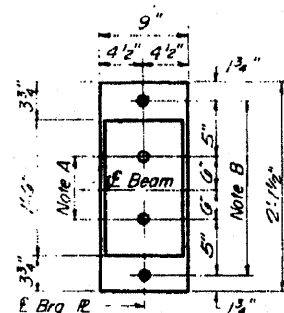
ELEVATION



ROCKER



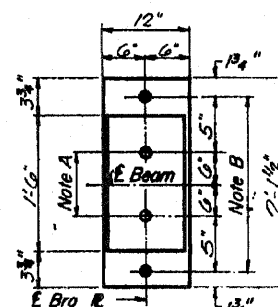
PINTLE



PLAN

AT ABUTMENT

NOTE A
1 3/8" Holes - 1" deep in top R.
for pintles Thread or press fit
pintles into bottom R.



PLAN

AT PIER

NOTE B
1 1/2" Holes for 1" anchor bolts
1 1/2" x 2 1/2" x 2 1/2" R. Washers
under nut

NOTE C
1 3/8" Holes 1" deep in top R.
only for 1 1/4" pintles

BEARING ASSEMBLY DETAILS

NOTES ON SETTING OF ANCHOR BOLTS AT EXP. BRGS.

- a) D* (Side of brg away from fixed brg)
D = 1/8" per each 100' of expansion for every 15° fall below the normal temp. of 50°F
- D** (Side of brg toward fixed brg)
D** = 1/8" per each 100' of expansion for every 15° rise above the normal temp. of 50°F
- b) After beams have been erected and dimensions D* or D** determined, holes shall be drilled and anchor bolts shall be grouted in place. All fixed anchor bolts may be built into the masonry.

DESIGNED	S.K.S.	EXAMINED	
CHECKED	A.K.S.	PASSED	
DRAWN	P.G. Barnett	APPROVED	
CHECKED	S.K.S.		

I-2-B 9-65, 8-1-70

FOR INFORMATION ONLY

SHOE DETAILS

F.A. RTE. 403-SEC. 195-2H82
WHITESIDE COUNTY
STATION 2071+48.41

FILE NAME =	USER NAME = linkdj	DESIGNED -	REVISED -	STATE OF ILLINOIS DEPARTMENT OF TRANSPORTATION	Existing Bearing Details Structure No. 098-0072	F.A.I. RTE.	SECTION	COUNTY	TOTAL SHEETS	SHEET NO.
Q:\BR\Bridg Painting\Contracts\PAINTING\64G28\PLA\eng.dgn		DRAWN -	REVISED -			88	02 Bridge Painting 2011-	Whiteside	14	14
PLOT SCALE = 50.0000' / IN.		CHECKED -	REVISED -			CONTRACT NO. 64G28				
PLOT DATE = Sat Jan 22 06:47:47 2011		DATE -	REVISED -			ILLINOIS FED. AID PROJECT				