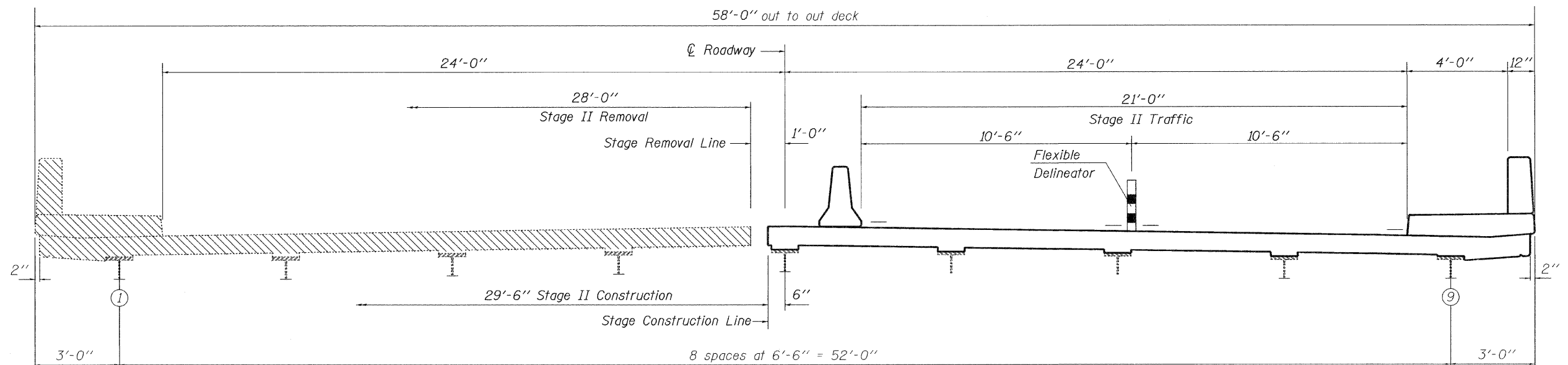


SUPERSTRUCTURE
STRUCTURE NO. 081-0047
CROSS SECTION
 (Looking South)



SUPERSTRUCTURE
STRUCTURE NO. 081-0047
CROSS SECTION
 (Looking South)

DESIGNED - G.G.E.	EXAMINED	DATE - January 11, 2011
CHECKED - I.J.L.	<i>Jaime F. J. [Signature]</i> ACTING ENGINEER OF STRUCTURAL SERVICES	
DRAWN - Drew Christopher	PASSED	
CHECKED - G.G.E. I.J.L.	<i>Carl [Signature]</i> ACTING ENGINEER OF BRIDGES AND STRUCTURES	

STATE OF ILLINOIS
DEPARTMENT OF TRANSPORTATION

STAGING CROSS SECTIONS
SN 081-0047

SHEET NO. 2 OF 11 SHEETS

F.A.J. RTE.	SECTION	COUNTY	TOTAL SHEETS	SHEET NO.
5834	(115BR)M	Rock Island	22	13
CONTRACT NO. 64G70				
[ILLINOIS] FED. AID PROJECT				