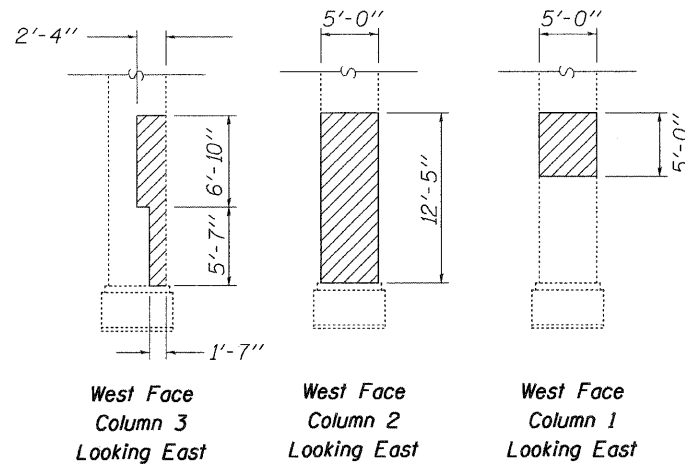
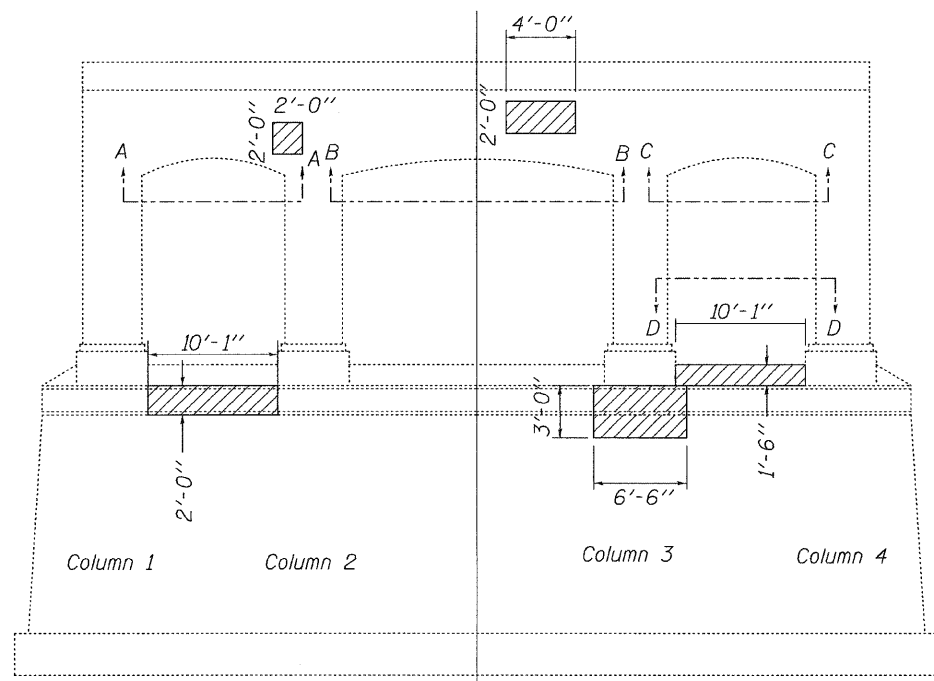


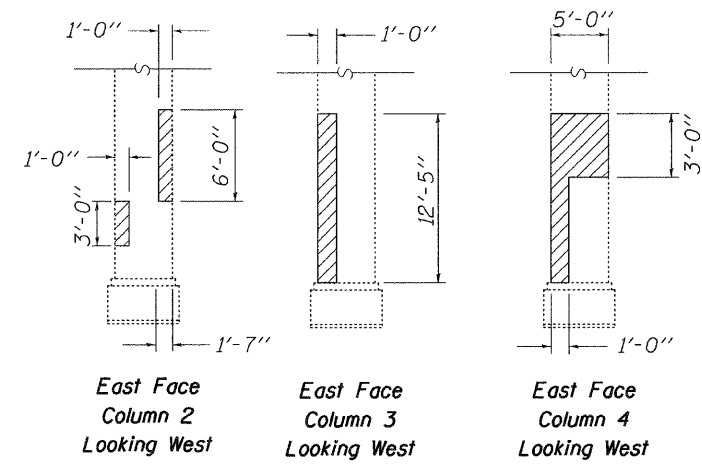
Pier 3
(Looking North)



West Face Column 3 Looking East
West Face Column 2 Looking East
West Face Column 1 Looking East

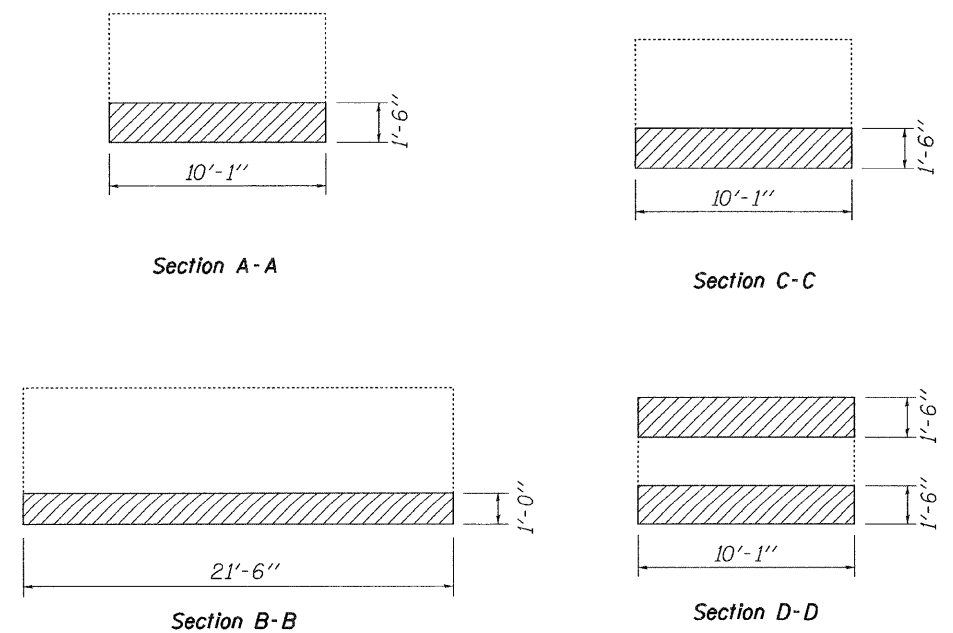


Pier 3
(Looking South)



East Face Column 2 Looking West
East Face Column 3 Looking West
East Face Column 4 Looking West

Structural Repair of Concrete



PIER 3 REPAIR PLAN

DESIGNED - G.G.E.	EXAMINED - <i>Joanne F. J...</i>	DATE - January 11, 2011
CHECKED - I.J.L.	ACTING ENGINEER OF STRUCTURAL SERVICES	
DRAWN - Drew Christopher	PASSED - <i>Carl...</i>	
CHECKED - G.G.E. I.J.L.	ACTING ENGINEER OF BRIDGES AND STRUCTURES	

STATE OF ILLINOIS
DEPARTMENT OF TRANSPORTATION

PIER 3 REPAIR PLAN
SN 081-0047

SHEET NO. 8 OF 11 SHEETS

F.A.U. RTE.	SECTION	COUNTY	TOTAL SHEETS	SHEET NO.
5834	(115BR)M	Rock Island	22	19
CONTRACT NO. 64G70				
(ILLINOIS) FED. AID PROJECT				