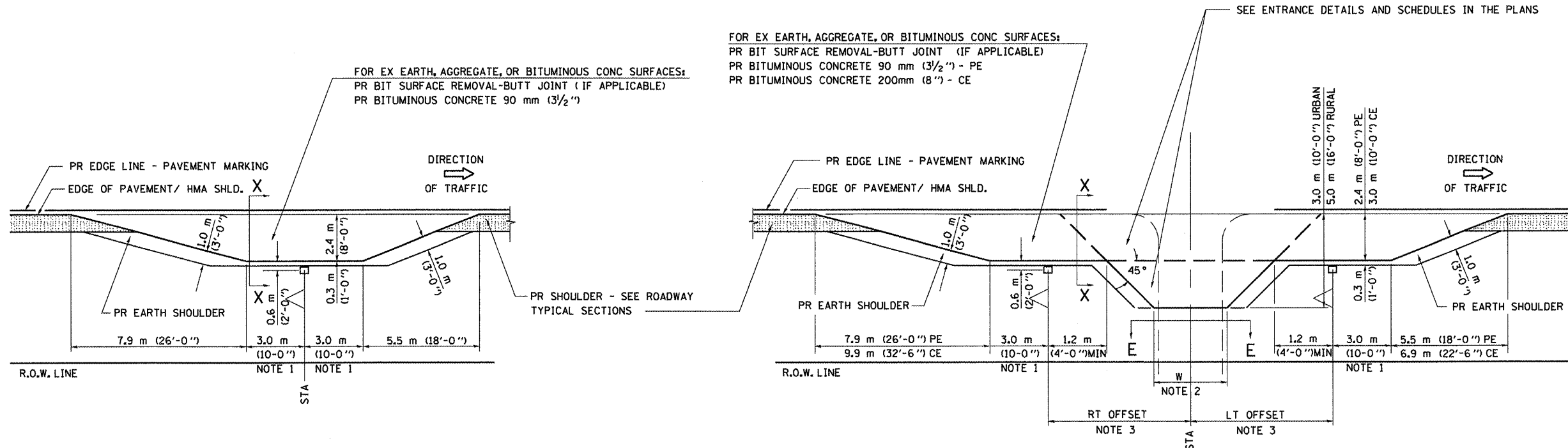
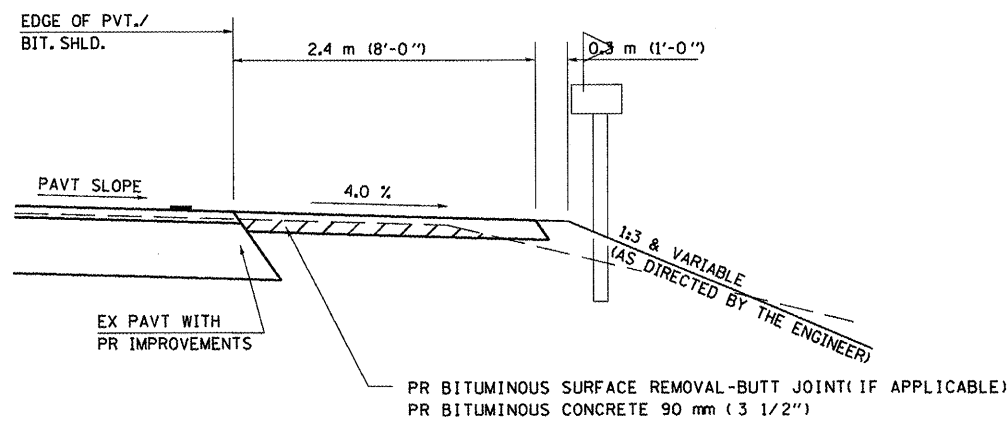


## DETAILS OF MAILBOX TURNOUTS



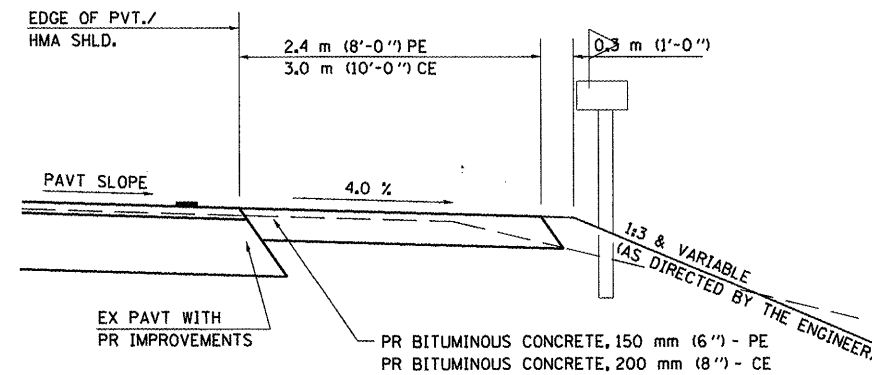
**PLAN - MAILBOX TURNOUTS**

**PLAN - COMBINED MAILBOX TURNOUT WITH TRAILING OR LEADING ENTRANCE**



**SECTION X-X THRU MAILBOX TURNOUT  
ALSO APPLIES TO MAILBOX TURNOUTS COMBINED WITH  
EX EARTH, AGGREGATE, OR BITUMINOUS PE & FE**

(DETAIL APPLIES WHEN M.B. TURNOUT DOES NOT EXIST.  
IF EXISTING, TREAT SAME AS ENTRANCE.)



**SECTION X-X THRU MAILBOX TURNOUT  
COMBINED WITH EX BITUMINOUS CONC & PC CONC PE & CE**

(DETAIL APPLIES WHEN M.B. TURNOUT DOES NOT EXIST.  
IF EXISTING, TREAT SAME AS ENTRANCE.)

- NOTE 1 IF MORE THAN ONE MAILBOX IS PRESENT, DIMENSION FROM CENTER OF END MAILBOX.

NOTE 2 FOR ENTRANCE LAYOUT DIMENSIONS AND SECTIONS A-A & E-E REFER TO THE SCHEDULES IN THE PLANS.

NOTE 3 BOTH LT OR RT OFFSETS FOR MAILBOX SHOWN USE OFFSET DIMENSION PER SCHEDULE AND REFER TO LAYOUT SHOWN ON THE PLAN.

ALL DIMENSIONS ARE IN MILLIMETERS (INCHES)  
UNLESS OTHERWISE SHOWN.

FILE NAME =	USER NAME = laughlin-l	DESIGNED -	REVISED - 2/19/03 JCN
ENT PPP.DGN	2C36-sht-details.dgn	DRAWN - CADD	REVISED - 4/01/04 JCN
	PLOT SCALE = 200.0000' / in.	CHECKED - JCN	REVISED -
	PLOT DATE = Dec-17-2010 01:59:00PM	DATE - FEBRUARY 23, 1999	REVISED -

**STATE OF ILLINOIS  
DEPARTMENT OF TRANSPORTATION**

**DIST. 6 DETAILS FOR RURAL/URBAN ENT., MAILBOX  
TURNOUT & SIDEROADS W/O CONC. GUTTER (3P-PROJ.)**

SCALE: SHEET NO. 2 OF 2 SHEETS STA. TO STA.

F.A.P. RTE.	SECTION	COUNTY	TOTAL SHEETS	SHEET NO.
			46	25
FED. ROAD DIST. NO.			ILLINOIS FED. AID PROJECT	
CONTRACT NO. 72C36				

\* FAP 765 & FAP 608  
\*\* SECTION 107RS-3, 107RS-1, 109RS-3