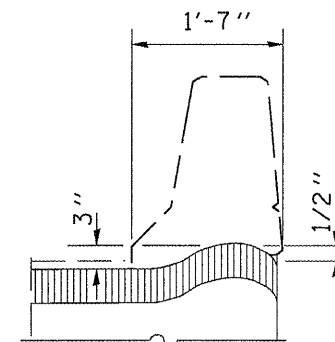
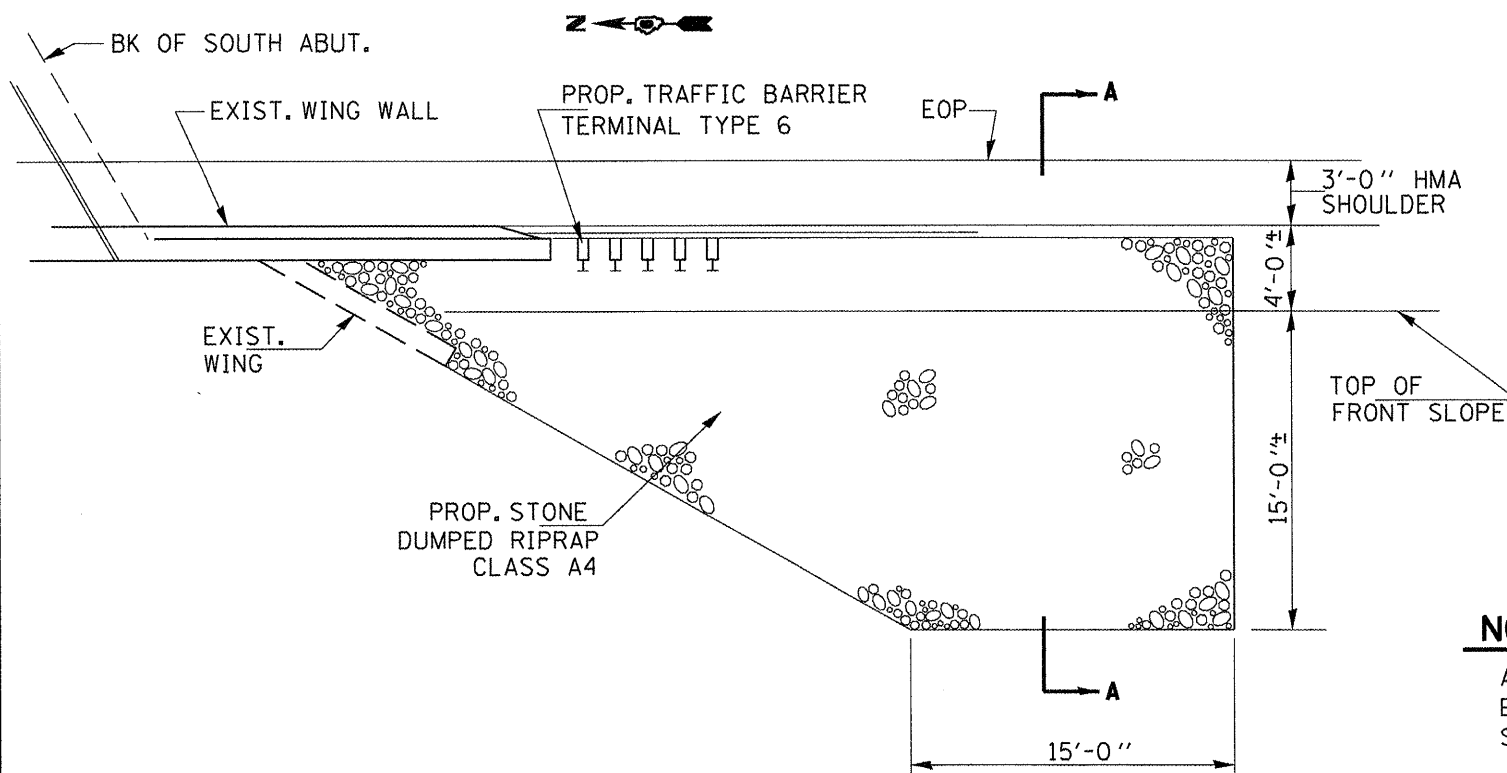


**SILICONE JOINT SEALER DETAIL**

SN 059-0013 ALONG IL 111  
STA. 908+87.00

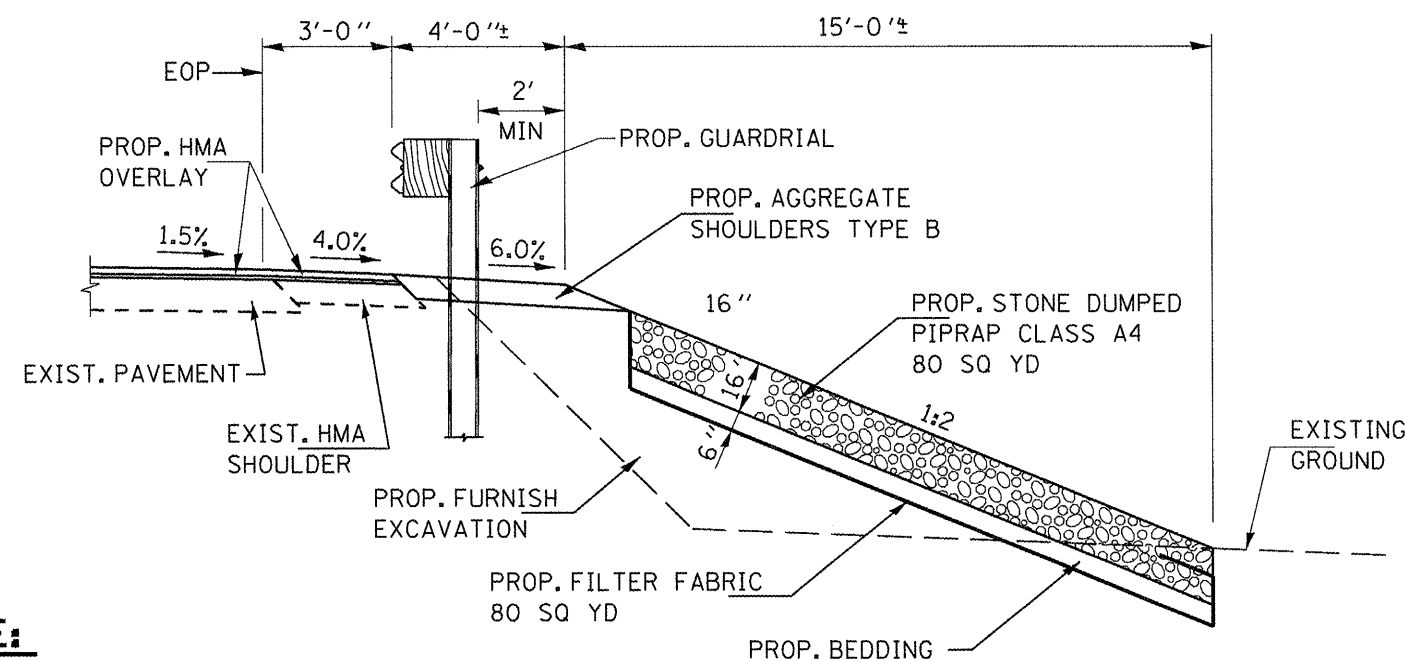


**TYPICAL END OF SEAL TREATMENT**



**PLAN**

SOUTHEAST CORNER OF SN 059-0013



**NOTE:**

AN ESTIMATED QUANTITY OF 50 CU. YD. OF FURNISH EXCAVATION HAS BEEN FOR CONSTRUCTION THE SIDE SLOPE AS SHOWN IN SECTION.

**SECTION A-A**

FILE NAME =	USER NAME = laughlin1	DESIGNED -	REVISED -
c:\pwork\pwork\laughlin1\d0215448\06	2C36-ehs-details.dgn	DRAWN -	REVISED -
	PLOT SCALE = 200.0000' / in.	CHECKED -	REVISED -
	PLOT DATE = Dec-17-2010 01:59:32PM	DATE -	REVISED -

STATE OF ILLINOIS  
DEPARTMENT OF TRANSPORTATION

RIPRAP DETAILS &  
SILICONE JOINT SEALER DETAILS

SCALE: SHEET NO. OF SHEETS STA. TO STA.

F.A.P. RTE.		SECTION	COUNTY	TOTAL SHEETS	SHEET NO.
.		..	MACOUPIN	46	46
				CONTRACT NO. 72C36	
ILLINOIS FED. AID PROJECT					

FAP 765 & FAP 608  
SECTION 107RS-3, 107RS-1, 109RS-3