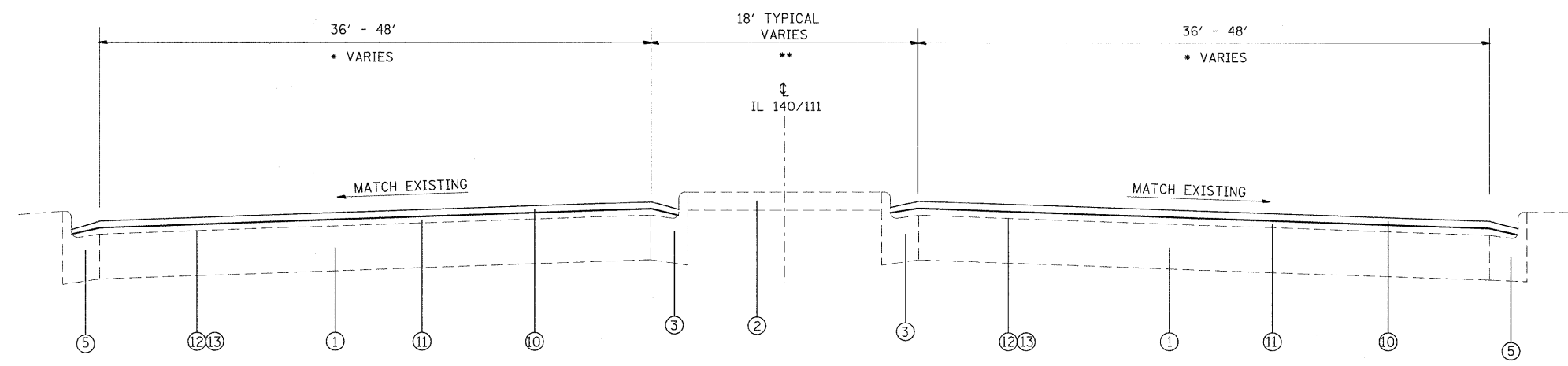


EXISTING TYPICAL SECTION IL 140/111
 STA. 46+54 TO 62+97
 PARK AVE. TO JUST EAST OF RAILROAD STRUCTURE

* THIRD LANE VARIES AS THRU LANE, STRIPPED MEDIAN, AND SHOULDER.
 ** LEFT-TURN LANES PRESENT AT VARIOUS LOCATIONS.

LEGEND

- ① EXISTING 10" PCC PAVEMENT
- ② EXISTING PCC MEDIAN 4"
- ③ EXISTING CC & G M6.12
- ④ EXISTING HMA MEDIAN (VARIABLE DEPTH)
- ⑤ EXISTING CC & G B6.24
- ⑥ EXISTING CC & G B9.24
- ⑦ EXISTING HMA OVERLAY (2 1/2")
- ⑧ EXISTING HMA SHOULDER (10")
- ⑨ EXISTING CON. REINFORCED CONC. PAVEMENT (8")
- ⑩ PROPOSED HMA SURFACE COURSE, MIX D, N90 (1 1/2")
- ⑪ PROPOSED LEVELING BINDER (MM), N90 (1")
- ⑫ PROPOSED BITUMINOUS MATERIALS (PRIME COAT)
- ⑬ PROPOSED AGGREGATE (PRIME COAT)
- ⑭ PROPOSED PORTLAND CEMENT CONCRETE BASE COURSE 10"
- ⑮ PROPOSED HMA SHOULDERS (TON)
- ⑯ PROPOSED AGG. WEDGE SHOULDER, TYPE B (TON)
- ⑰ PROPOSED HMA SURFACE REMOVAL (1 1/2")



PROPOSED TYPICAL SECTION IL 140/111
 STA. 46+54 TO 62+97
 PARK AVE. TO JUST EAST OF RAILROAD STRUCTURE

FILE NAME =	USER NAME = #USER#	DESIGNED -	REVISED -	STATE OF ILLINOIS DEPARTMENT OF TRANSPORTATION	TYPICAL SECTIONS		F.A.P. RTE.	SECTION	COUNTY	TOTAL SHEETS	SHEET NO.
#FILEL#	PLOT SCALE = #SCALE#	DRAWN -	REVISED -				785	(132-2,3,4, 133-1)RS	MADISON	122	8
	PLOT DATE = #DATE#	CHECKED -	REVISED -		CONTRACT NO. 76B80			FED. ROAD DIST. NO. - ILLINOIS FED. AID PROJECT			
		DATE -	REVISED -		SCALE: _____	SHEET NO. ___ OF ___ SHEETS	STA. _____ TO STA. _____				