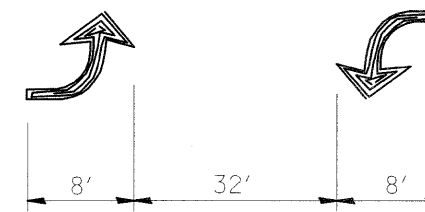
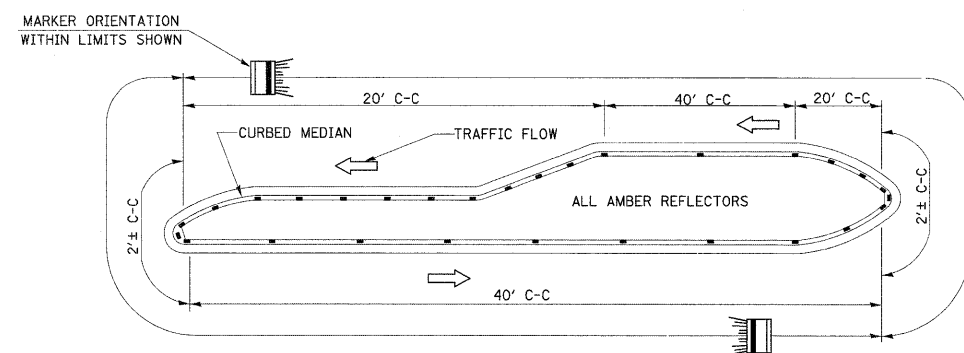


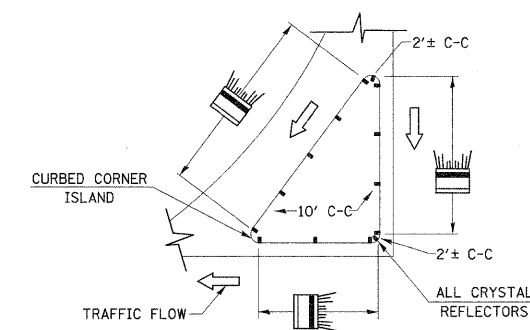
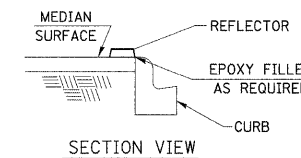
TYPICAL APPLICATION FOR
BI-DIRECTIONAL TURN LANE
WITH RAISED REFLECTIVE PAVEMENT MARKERS



BI-DIRECTIONAL ARROWS
ON 200' CTRS



- NOTES
1. PRISMATIC REFLECTORS SHALL BE MONO-DIRECTIONAL AND POSITIONED SO THAT THE REFLECTIVE FACE IS FACING THE APPROACHING TRAFFIC.
 2. PRISMATIC REFLECTORS SHALL BE SECURED IN PLACE WITH AN EPOXY ADHESIVE.
 3. PRISMATIC REFLECTORS SHALL BE EITHER AMBER OR CRYSTAL IN COLOR.



TYPICAL PLACEMENT OF PRISMATIC REFLECTORS ON CURBS
(NO SCALE)

FILE NAME =	USER NAME = #USER#	DESIGNED -	REVISED -	STATE OF ILLINOIS DEPARTMENT OF TRANSPORTATION	DETAILS	F.A.P. RTE.	SECTION	COUNTY	TOTAL SHEETS	SHEET NO.	
#FILEL#		DRAWN -	REVISED -			785	(132-2,3,4, 133-1RS)	MADISON	122	68	
	PLOT SCALE = #SCALE#	CHECKED -	REVISED -			CONTRACT NO. 76B80					
	PLOT DATE = #DATE#	DATE -	REVISED -			FED. ROAD DIST. NO. ILLINOIS FED. AID PROJECT					
					SCALE: _____	SHEET NO. ___ OF ___ SHEETS		STA. _____ TO STA. _____			