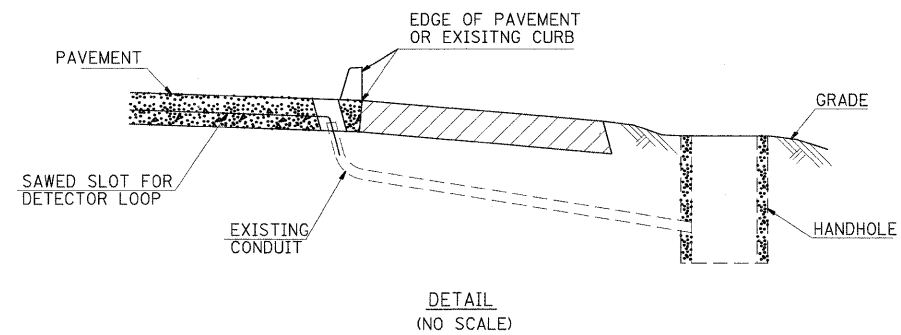


ELECTRICAL QUANTITIES:

CODE NO.	DESCRIPTION	UNIT	QUANTITY
88600600	DETECTOR LOOP REPLACEMENT	FOOT	6263
80300100	LOCATING UNDER GROUND CABLE	FOOT	345



RE-USE EXISTING DETECTOR LOOP LEAD-IN CABLE IN CONDUIT

- 1 LOCATE UNDERGROUND CABLE FROM HAND HOLE TO PAVEMENT.
- 2 DRILL OUT PAVEMENT SEALANT AND CLEAN EXISTING CONDUIT.
- 3 REMOVE EXISTING LEAD-IN CONDUCTORS TO HANDHOLE.
- 4 INSTALL LOOP LEAD-IN CONDUCTORS IN EXISTING CONDUIT.
- 5 SPLICE NEW DETECTOR LOOP LEAD-IN CONDUCTORS TO EXISTING LEAD-IN CABLE IN HANDHOLE.
- 6 FILL HOLE WITH APPROVED SEALER. PREVENT SEALER FROM ENTERING INTO CONDUIT.

THE COST OF THIS WORK SHALL BE INCLUDED IN THE PAY ITEM "DETECTOR LOOP REPLACEMENT", EXCEPT LOCATE UNDERGROUND CABLE IS A SEPARATE PAY ITEM.

ELECTRICAL GENERAL NOTES:

THE EXISTING DETECTOR LOOP CONDUIT FROM PAVEMENT TO THE HANDHOLE WILL BE RE-USED FOR THE REPLACED DETECTOR LOOP. THE CONTRACTOR WILL BE RESPONSIBLE FOR PROTECTING THE EXISTING CONDUIT DURING THE CONSTRUCTION OPERATION. SHOULD ANY DAMAGE OCCURE DUE TO THE CONTRACTOR'S OPERATIONS, REPAIRS WILL BE MADE TO THE SATISFACTION OF THE ENGINEER AND WILL BE DONE AT THE CONTRACTOR'S EXPENSE.

THE QUANTITY SHOWN FOR DETECTOR LOOP REPLACEMENT AND LOCATING UNDERGROUND CABLE ARE APPROXIMATE. ONLY DAMAGED/NONFUNCTIONAL LOOP WILL BE REPLACED AND QUANTITY SHALL BE ADJUSTED ACCORDINGLY.

THE PROPOSED DETECTOR LOOPS SHALL BE PLACED IN THE BINDER COURSE PRIOR TO RESURFACING.

FILE NAME =	USER NAME = #USER#	DESIGNED -	REVISED -	STATE OF ILLINOIS DEPARTMENT OF TRANSPORTATION	DETECTOR LOOP REPLACEMENT	F.A.P. RTE.	SECTION	COUNTY	TOTAL SHEETS	SHEET NO.	
#FILEL#		DRAWN -	REVISED -			785	(132-2,3,4, 133-1RS)	MADISON	122	82	
	PLOT SCALE = #SCALE#	CHECKED -	REVISED -			CONTRACT #76B80					
	PLOT DATE = #DATE#	DATE -	REVISED -			SCALE: _____	SHEET NO. 1 OF 8 SHEETS	STA. _____	TO STA. _____	FED. ROAD DIST. NO. ILLINOIS FED. AID PROJECT	