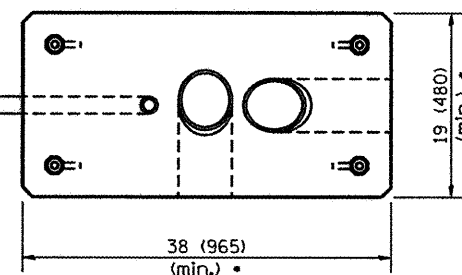
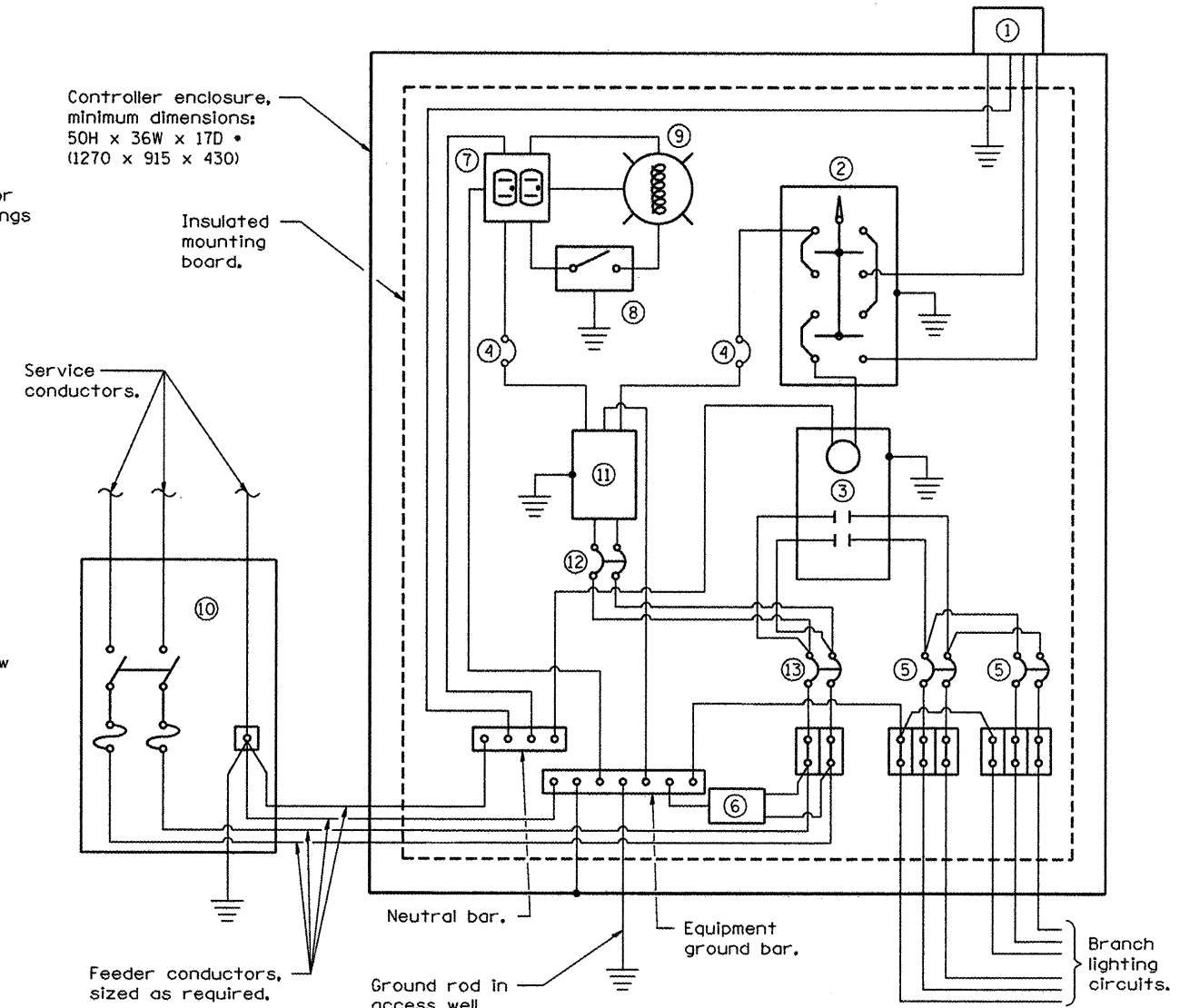


LIGHTING CONTROLLER



FOUNDATION (PLAN)

(Work pad not shown.)

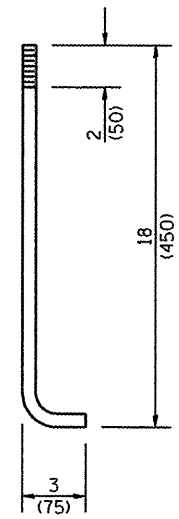


CONTROL SCHEMATIC

- ① Photocell with integral surge arrester.
- ② HAND-OFF-AUTO selector switch.
- ③ 100 amp*, electrically held contactor.
- ④ 15 amp, 1-pole circuit breaker.
- ⑤ 20 amp*, 2-pole circuit breaker (two spares required but not shown).
- ⑥ Surge arrester.
- ⑦ GFCI duplex receptacle.
- ⑧ Single-pole, single-throw switch.
- ⑨ Incandescent luminaire, enclosed and gasketed with 100 watt lamp.
- ⑩ Service disconnect switch - 2-pole, 3-wire, 100 amp*, fused at 100 amp*, solid neutral in NEMA 4X enclosure having lockable external handle.
- ⑪ Transformer - 1KVA*, 480V primary, 120/240V secondary, single-phase, 60Hz.
- ⑫ 15 amp, 2-pole circuit breaker.
- ⑬ 100 amp*, 2-pole circuit breaker.

* Size larger as needed.

All dimensions are in inches (millimeters) unless otherwise shown.



ANCHOR ROD DETAIL

**LIGHTING CONTROLLER
BASE MOUNTED, 480V**

STANDARD 825026-01

ELECTRIC SERVICE INSTALLATION

- Size larger as needed.
- ** Or as directed by Utility Company.
- *** When cold sequencing is required, provide a meter disconnect switch as directed by Utility Company.

L:\P0000000\022802-01-00-0000-Sheets\E_Lighting_Details.dwg



USER NAME = Steve Prange	DESIGNED - SJP / MNB	REVISED -
	DRAWN - ERD	REVISED -
PLOT SCALE = 40,0000' / IN.	CHECKED - SJP	REVISED -
PLOT DATE = 02/04/11	DATE - 02/04/2011	REVISED -

**CITY OF ROCKFORD
MORGAN STREET BRIDGE**

ELECTRICAL DETAILS - 1

SCALE: N/A	SHEET NO. 1 OF 8 SHEETS	STA.	TO STA.
------------	-------------------------	------	---------

F.A. RTE.	SECTION	COUNTY	TOTAL SHEETS	SHEET NO.
5077	99-00493-00-BR	WINNEBAGO	253	119
CONTRACT NO. 85529			FED. ROAD DIST. NO. 2 ILLINOIS FED. AID PROJECT BRM-509965D	