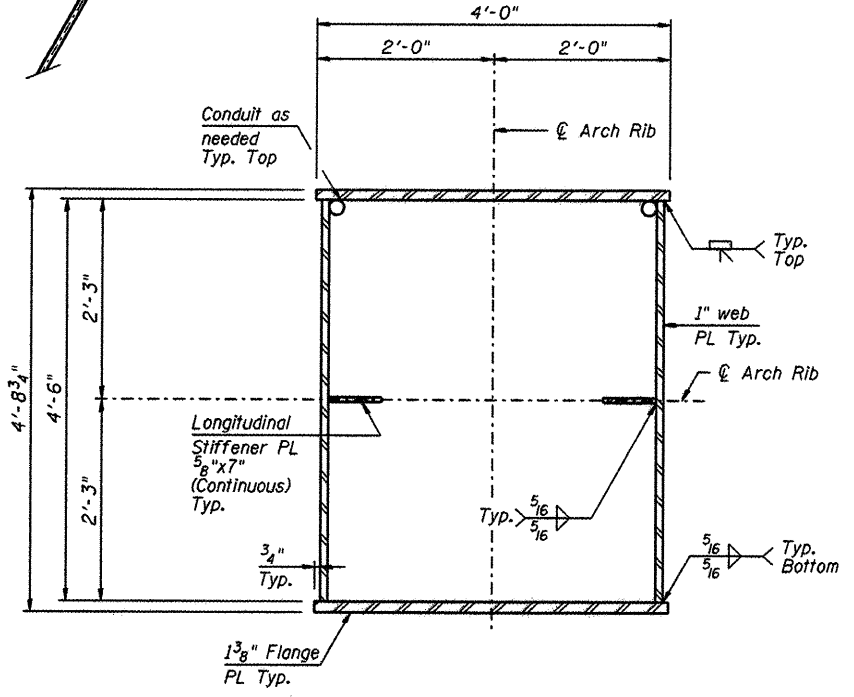
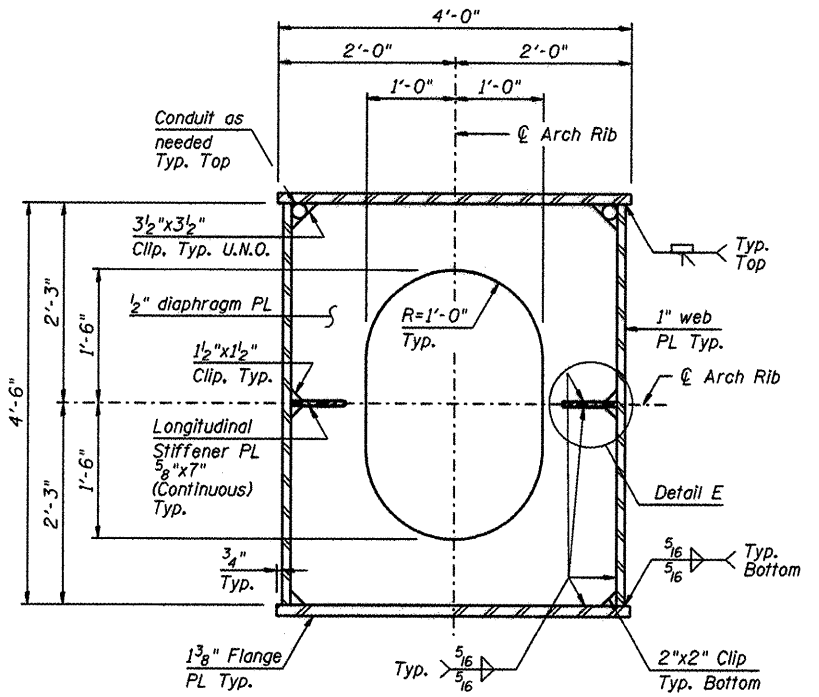


**ELEVATION**  
(Upper Lateral Bracing not Shown for Clarity)



**SECTION A-A**



**SECTION B-B**

- Notes:**
- Arch Rib Flange Plates, Web Plates and Longitudinal Stiffeners shall conform to the requirements of AASHTO M270 Gr. 50W T3.
  - Diaphragm Plates shall conform to the requirements of AASHTO M270 Gr. 50W.
  - See sheets 37 thru 38 of 79 for Arch Rib Splice Details.
  - See sheets 47 thru 48 of 79 for Arch Rib Hanger Details.
  - See sheet 40 of 79 for Upper Lateral Bracing Details.
  - See sheet 39 of 79 for Arch Rib Ventilation Details.
  - See sheet 36 of 79 for Detail E.

L:\PROJECTS\085529\085529.dwg, CADD, Sheets 1, 2, 3, 4, 5, 6, 7, 8, 9, 10, 11, 12, 13, 14, 15, 16, 17, 18, 19, 20, 21, 22, 23, 24, 25, 26, 27, 28, 29, 30, 31, 32, 33, 34, 35, 36, 37, 38, 39, 40, 41, 42, 43, 44, 45, 46, 47, 48, 49, 50, 51, 52, 53, 54, 55, 56, 57, 58, 59, 60, 61, 62, 63, 64, 65, 66, 67, 68, 69, 70, 71, 72, 73, 74, 75, 76, 77, 78, 79, 80, 81, 82, 83, 84, 85, 86, 87, 88, 89, 90, 91, 92, 93, 94, 95, 96, 97, 98, 99, 100



**HNTB**

DESIGNED - PA, JDJ, BPD, CJW	REVISED -
DRAWN - GLD	REVISED -
CHECKED - RJK	REVISED -
DATE - 02/04/2011	REVISED -

**CITY OF ROCKFORD  
MORGAN STREET BRIDGE**

**ARCH RIB RS3 TO RS5 AND RS8 TO RS6  
STRUCTURE NO. 101-6108**

SCALE: SHEET NO. 35 OF 79 SHEETS STA. 47+00.74 TO STA. 52+63.50

F.A.U. RTE.	SECTION	COUNTY	TOTAL SHEETS	SHEET NO.
5077	99-00493-00-BR	WINNEBAGO	253	161
CONTRACT NO. 85529			FED. ROAD DIST. NO. 2 ILLINOIS FED. AID PROJECT BRN-5099653	