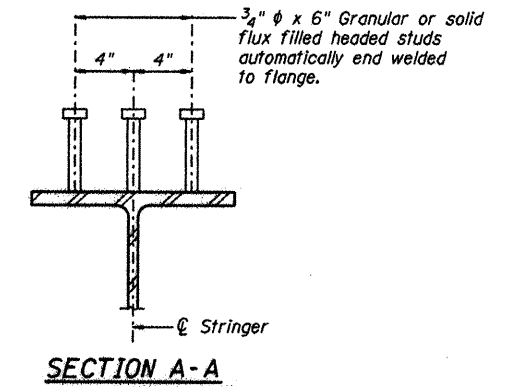
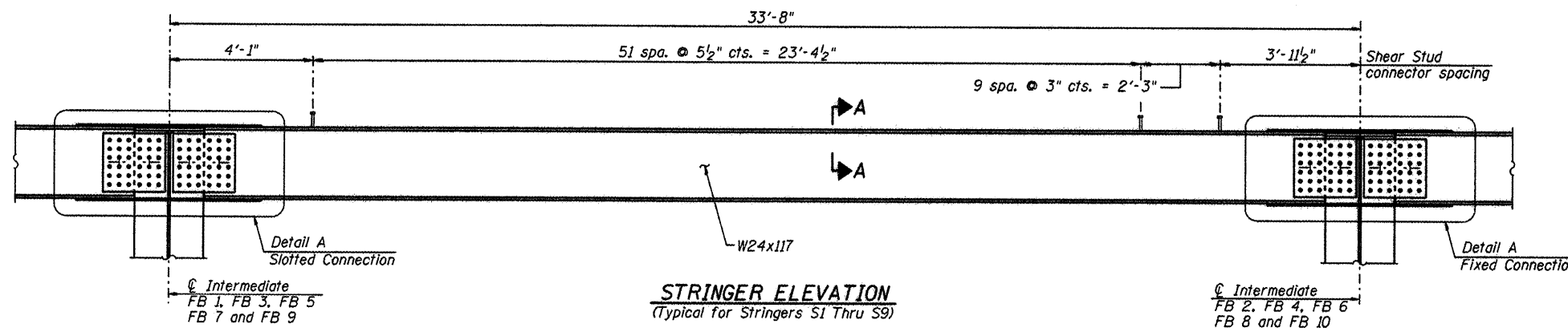


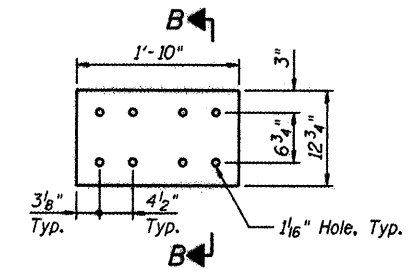
STRINGER ELEVATION
(Typical for Stringers S1 Thru S9)



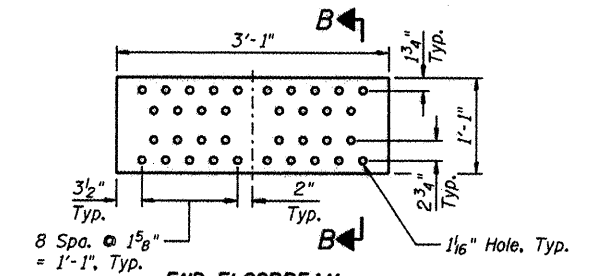
SECTION A-A



STRINGER ELEVATION
(Typical for Stringers S1 Thru S9)

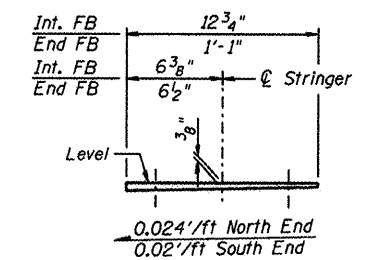


INTERMEDIATE FLOORBEAM



END FLOORBEAM

BEVEL SHIM PLATE DETAIL



SECTION B-B

BILL OF MATERIAL

Item	Unit	Total
Stud Shear Connectors	Each	18,333

Notes:
For Details A and B, see Sheet 61 of 79.
For location of Bevel Shim \bar{C} , see Sheet 61 of 79.

L:\PROJECTS\RD\0826892\08-AC\000_Sheets\S.68_Stringer Elevation.dgn



DESIGNED - PA, JDI, BPD, CJW	REVISED -
DRAWN - GLD	REVISED -
CHECKED - RJK	REVISED -
DATE - 02/04/2011	REVISED -

**CITY OF ROCKFORD
MORGAN STREET BRIDGE**

**STRINGER ELEVATIONS AND DETAILS
STRUCTURE NO. 101-6108**

SCALE: SHEET NO. 60 OF 79 SHEETS STA. 47+00.74 TO STA. 52+63.50

F.A.U. RTE.	SECTION	COUNTY	TOTAL SHEETS	SHEET NO.
5077	99-00493-00-BR	WINNEBAGO	253	186
FED. ROAD DIST. NO. 2 ILLINOIS			CONTRACT NO. 85529	
FED. AID PROJECT BRN-5099659				