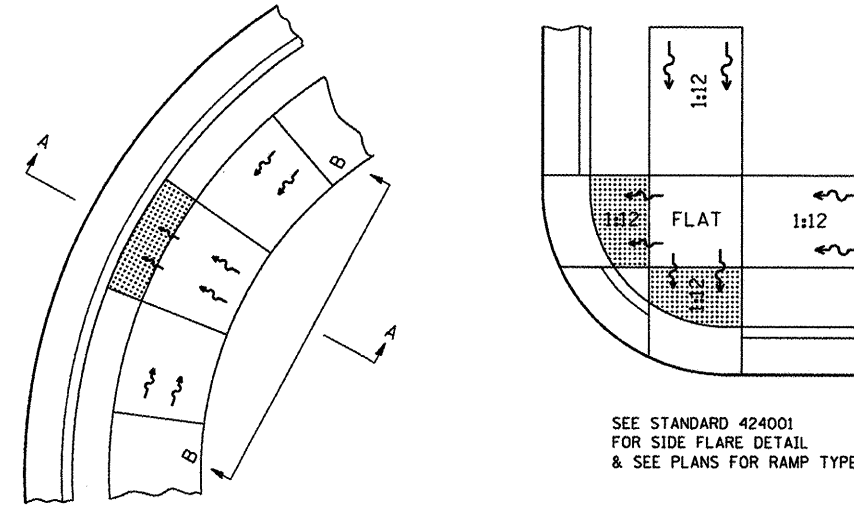
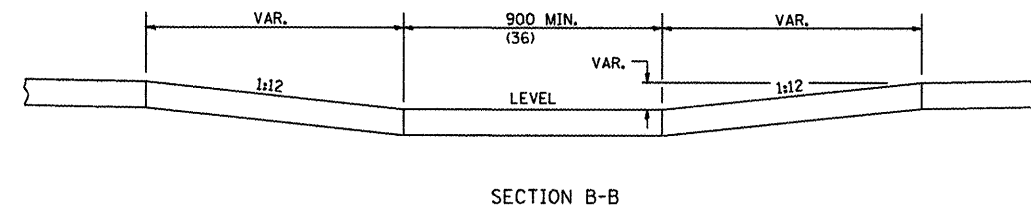
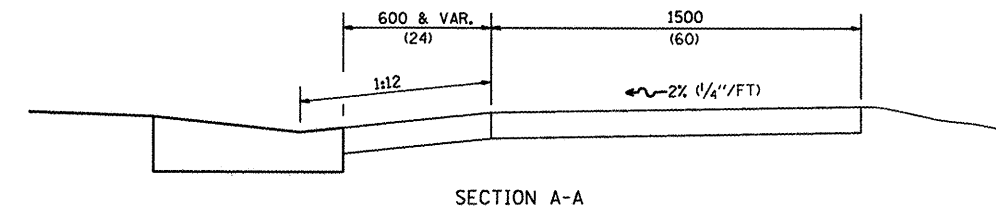


INTENTIONALLY LEFT BLANK

DISABLED RAMP DETAIL



ALL DIMENSIONS ARE IN MILLIMETERS (INCHES) UNLESS OTHERWISE NOTED.



NOTES : THIS DETAIL TO BE USED IN CONJUNCTION WITH STATE STANDARD 424001. THE MAXIMUM ALLOWABLE CROSS SLOPE FOR SIDEWALK IS 2x (1/4)''/FT. THE MAXIMUM ALLOWABLE SIDEWALK GRADE IS 8x (1/2)''/FT. IF SPACE LIMITATIONS PROHIBIT THE USE OF THE 1:12 SLOPE, THEN SLOPES BETWEEN 1:10 ARE 1:12 ARE PERMITTED FOR A MAXIMUM RISE OF 150 (6). SLOPES 1:8 AND 1:10 ARE ALLOWED FOR A MAXIMUM RISE OF 75 (3). SLOPES STEEPER THAN 1:8 ARE NOT PERMITTED. THE DEPRESSED CURB IS NOT STANDARD. THE RISE IS 13(1/2) INSTEAD OF 40(1/2) .

REVISED - 9-19-05

DISABLED RAMP DETAIL 60.2

I:\rockford\0826002.dwg\cadd\sheet\16 STD DRAWINGS.dwg

CMT <small>©Copyright CMT, Inc.</small> CRAWFORD, MURPHY & TILLY, INC. <small>CONSULTING ENGINEERS</small> <small>License No. 04-00063</small>	USER NAME = Steve Prange	DESIGNED - SJP / MNB	REVISED -
		DRAWN - ERD	REVISED -
	PLOT SCALE = 50,0000' / IN.	CHECKED - SJP	REVISED -
	PLOT DATE = 02/04/11	DATE - 02/04/2011	REVISED -

**CITY OF ROCKFORD
MORGAN STREET BRIDGE**

IDOT D2 /CITY STANDARD DRAWINGS - 3

SCALE: N/A SHEET NO. 3 OF 15 SHEETS STA. TO STA.

F.A. RTE.	SECTION	COUNTY	TOTAL SHEETS	SHEET NO.
5077	99-00493-00-BR	WINNEBAGO	253	241
CONTRACT NO. 85529				
<small>FED. ROAD DIST. NO. 2 [ILLINOIS] FED. AID PROJECT BRM-509965)</small>				