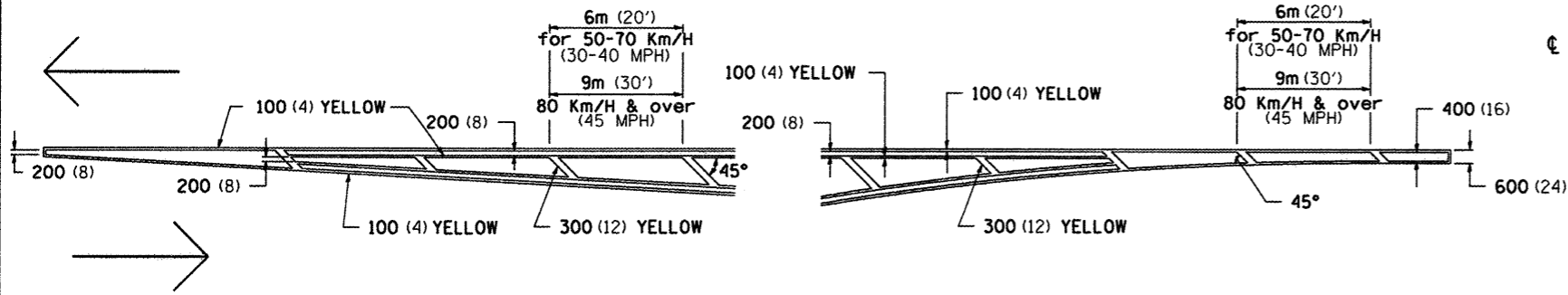
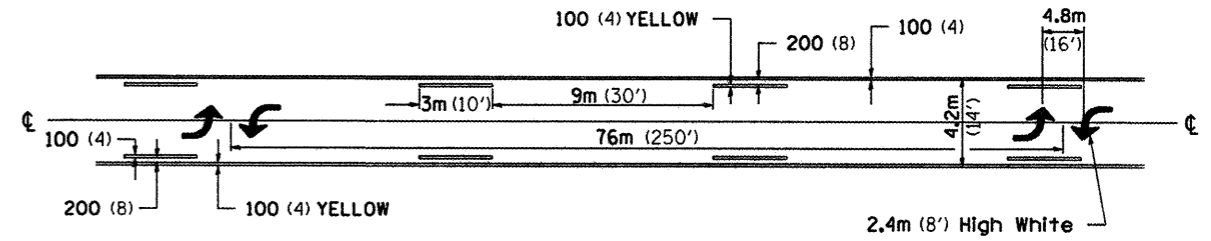


# TYPICAL PAVEMENT MARKINGS

## TYPICAL PAVEMENT MARKING FOR FLUSH MEDIAN AT LEFT TURN LANE

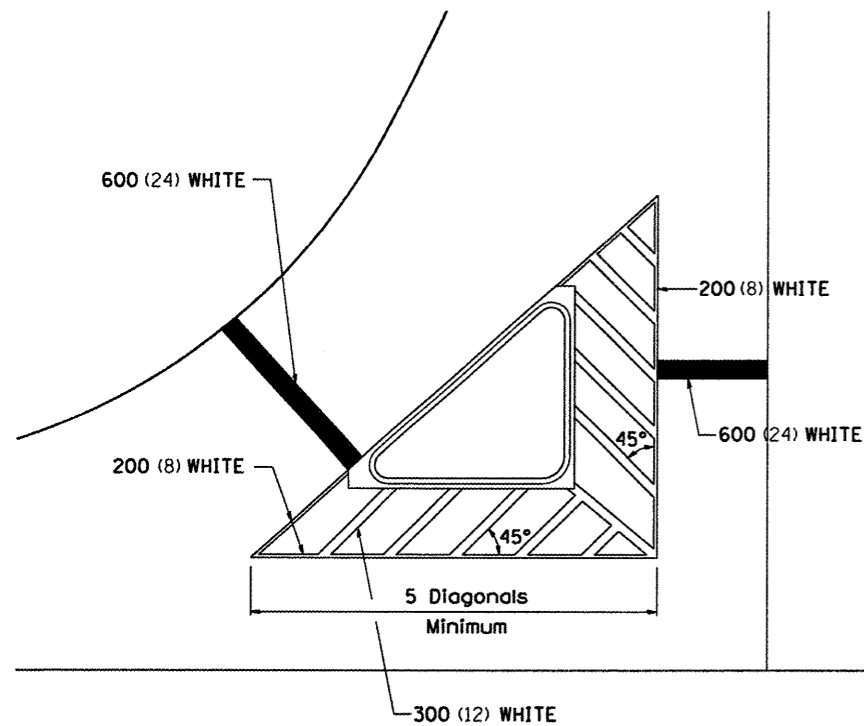


## MEDIAN PAVEMENT MARKING

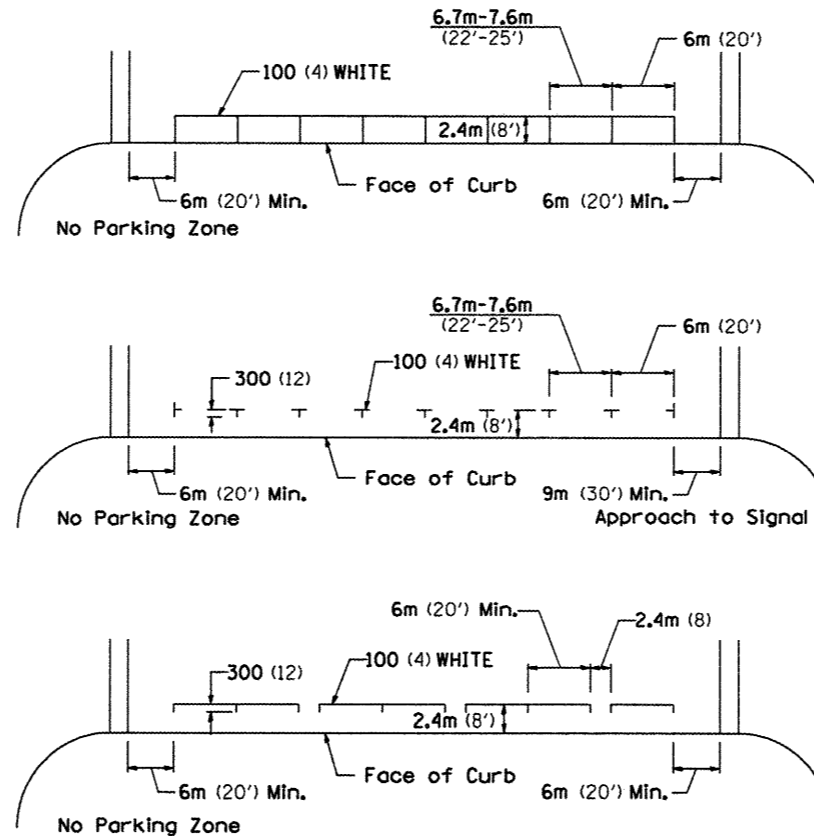


•• ALL DIMENSIONS ARE IN MILLIMETERS (INCHES) UNLESS OTHERWISE NOTED.

## TYPICAL ISLAND OFFSET SHOULDER WIDTH

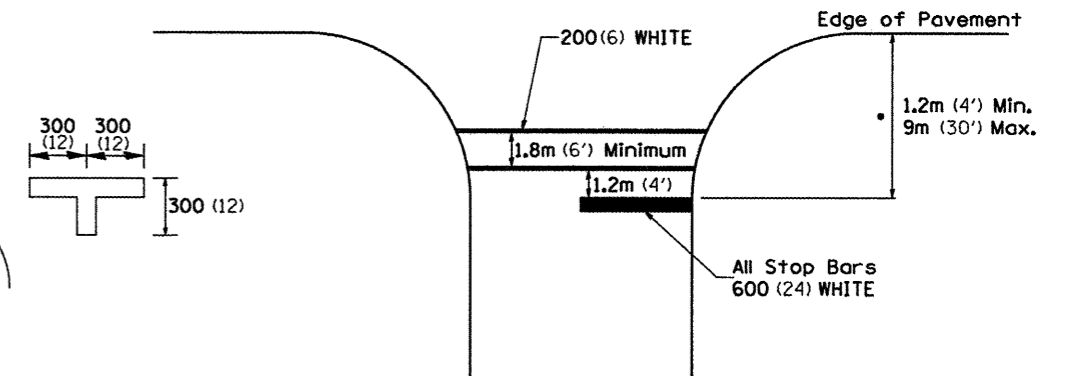


## TYPICAL PARKING SPACING



## STANDARD CROSSWALK MARKING

See Schedules for Locations



• Distance to the nearest edge of the intersecting roadway in the absence of a marked crosswalk.

I:\rockford\8526882\dr-w\cadd\_sheets\STD\_DRAWINGS\_11.dgn

USER NAME = Steve Prange	DESIGNED - SJP / MNB	REVISED - 10-21-08
DRAWN - ERD	CHECKED - SJP	REVISOR -
PLOT SCALE = 40,0000 / IN.	DATE - 02/04/2011	REVISOR -
PLOT DATE = 02/04/11		REVISOR -

F.A. RTE.	SECTION	COUNTY	TOTAL SHEETS	SHEET NO.
5077	99-00493-00-BR	WINNEBAGO	253	249
FED. ROAD DIST. NO. 2 [ILLINOIS] FED. AID PROJECT BRM-5099(65)			CONTRACT NO. 85529	