

DATE	
BY	
PLAN	
SURVEYED	
PLOTTED	
CHECKED	
DATE	
BY	
NO. OF WAY CHECKED	
ADD FILE NAME	
NO.	

DATE	
BY	
PROFILE	
SURVEYED	
PLOTTED	
CHECKED	
DATE	
BY	
NO. OF WAY CHECKED	
ADD FILE NAME	
NO.	

COORDINATE DATA

STATION	NORTH	EAST	
POT	6+87.87	849,540.12	2,263,642.05
PC	7+59.50	849,597.07	2,263,685.49
PI	10+56.70	849,833.38	2,263,865.74
PT	11+74.76	849,942.74	2,263,589.39
POT	14+83.90	850,056.50	2,263,301.94

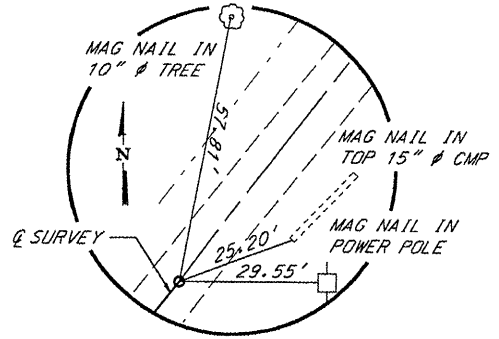
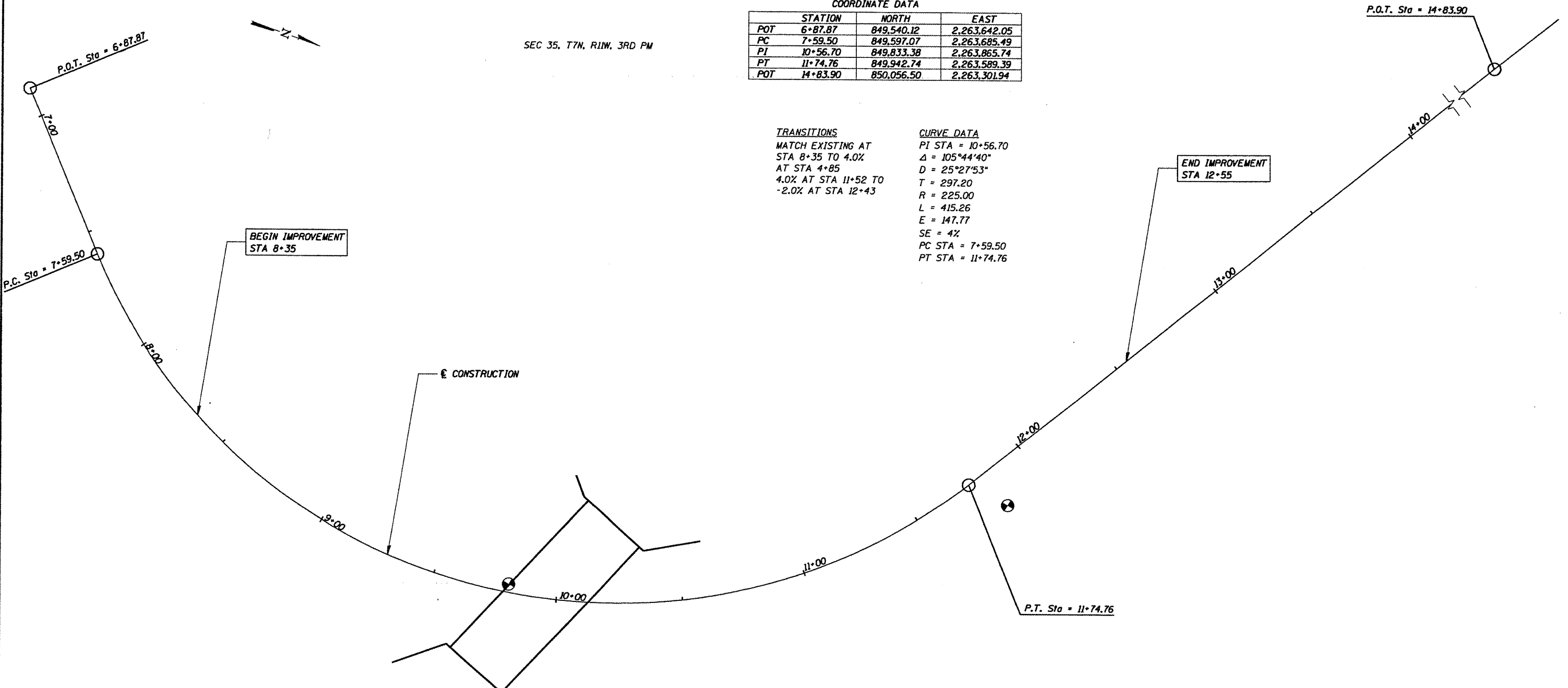
TRANSITIONS

MATCH EXISTING AT
STA 8+35 TO 4.0%
AT STA 4+85
4.0% AT STA 11+52 TO
-2.0% AT STA 12+43

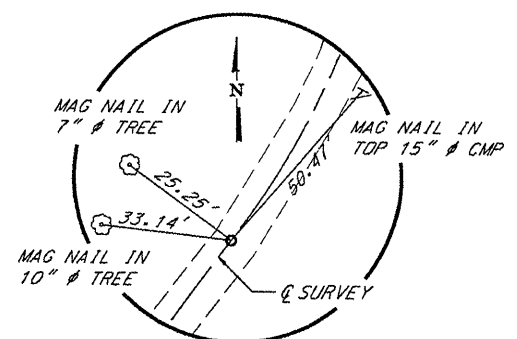
CURVE DATA

PI STA = 10+56.70
Δ = 105°44'40"
D = 25°27'53"
T = 297.20
R = 225.00
L = 415.26
E = 147.77
SE = 4%
PC STA = 7+59.50
PT STA = 11+74.76

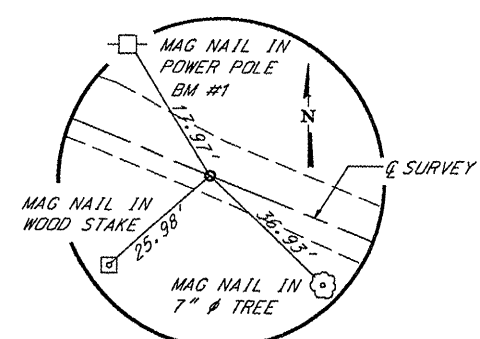
SEC 35, T7N, R11W, 3RD PM



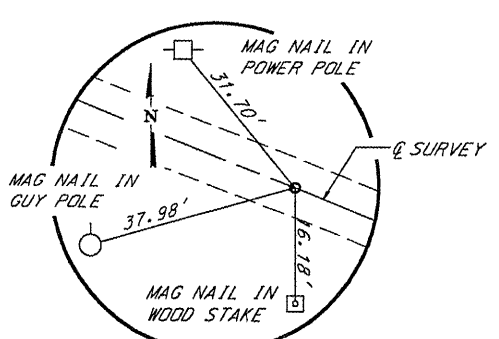
P.O.T. STA. 6+87.87
1/2" IRON PIN (SET)



P.C. STA. 7+59.50
1/2" IRON PIN (SET)



P.T. STA. 11+74.76
1/2" IRON PIN (SET)



P.O.T. STA. 14+83.90
1/2" IRON PIN (SET)

CEC Cummins Engineering Corporation
Civil and Structural Engineering

JOB = 2237	DESIGNED - NAK	REVISED -
FILE NAME = 2237a1.dgn	DRAWN - AJH	REVISED -
PLDT SCALE = 40,0000 sf / IN.	CHECKED -	REVISED -
PLDT DATE = 1/26/2011	DATE - 1/26/2011	REVISED -

JERSEY COUNTY
TR 136 IMPROVEMENTS

ALIGNMENT AND CROSS TIES

SCALE: SHEET NO. OF SHEETS STA. 6+87.87 TO STA. 14+83.90

TR	SECTION	COUNTY	TOTAL SHEETS	SHEET NO.
136	08-05117-00-BR	JERSEY	10	3
CONTRACT NO. 97459				
FED. ROAD DIST. NO. ILLINOIS FED. AID PROJECT				