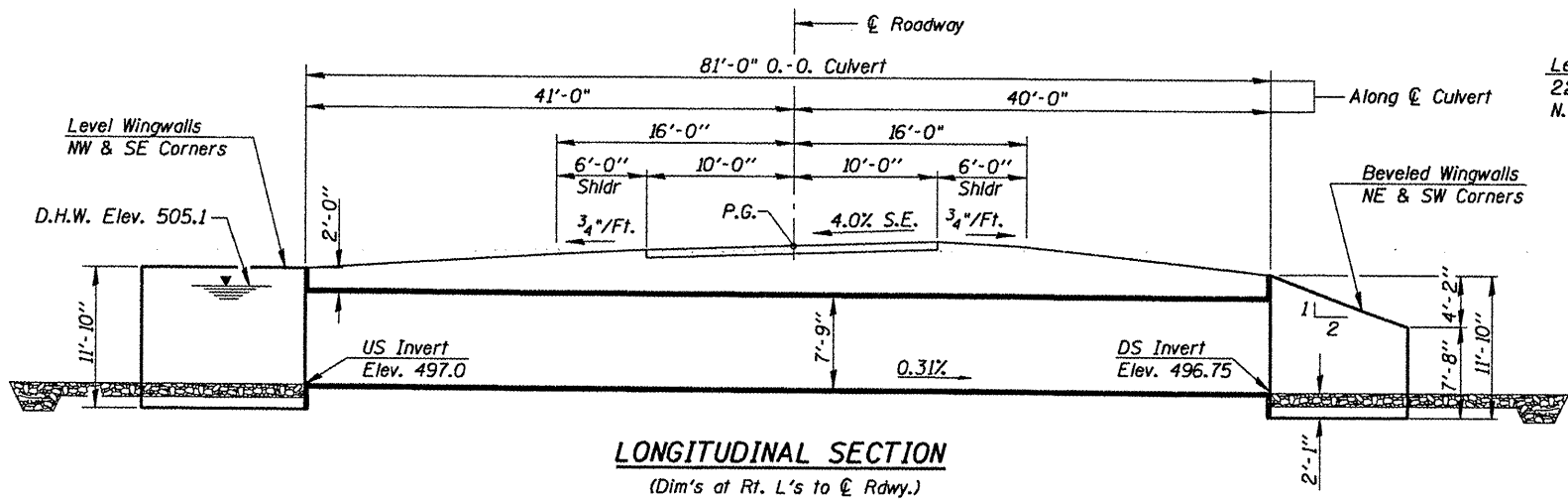
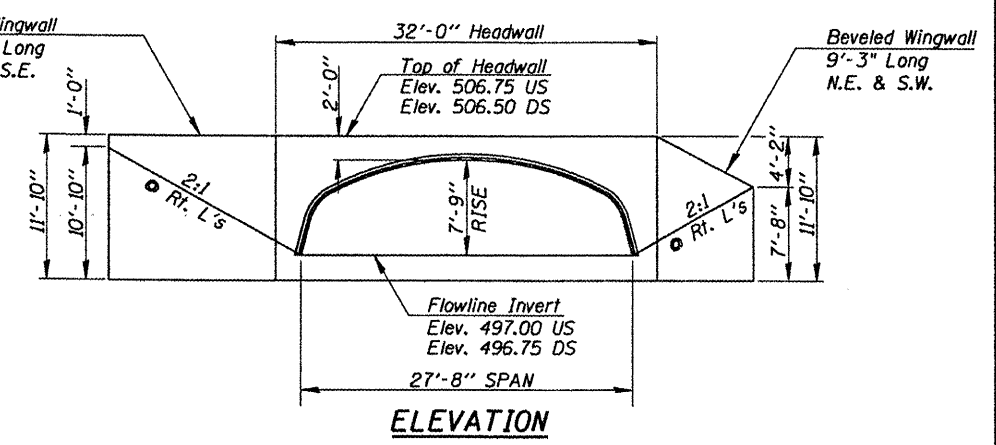


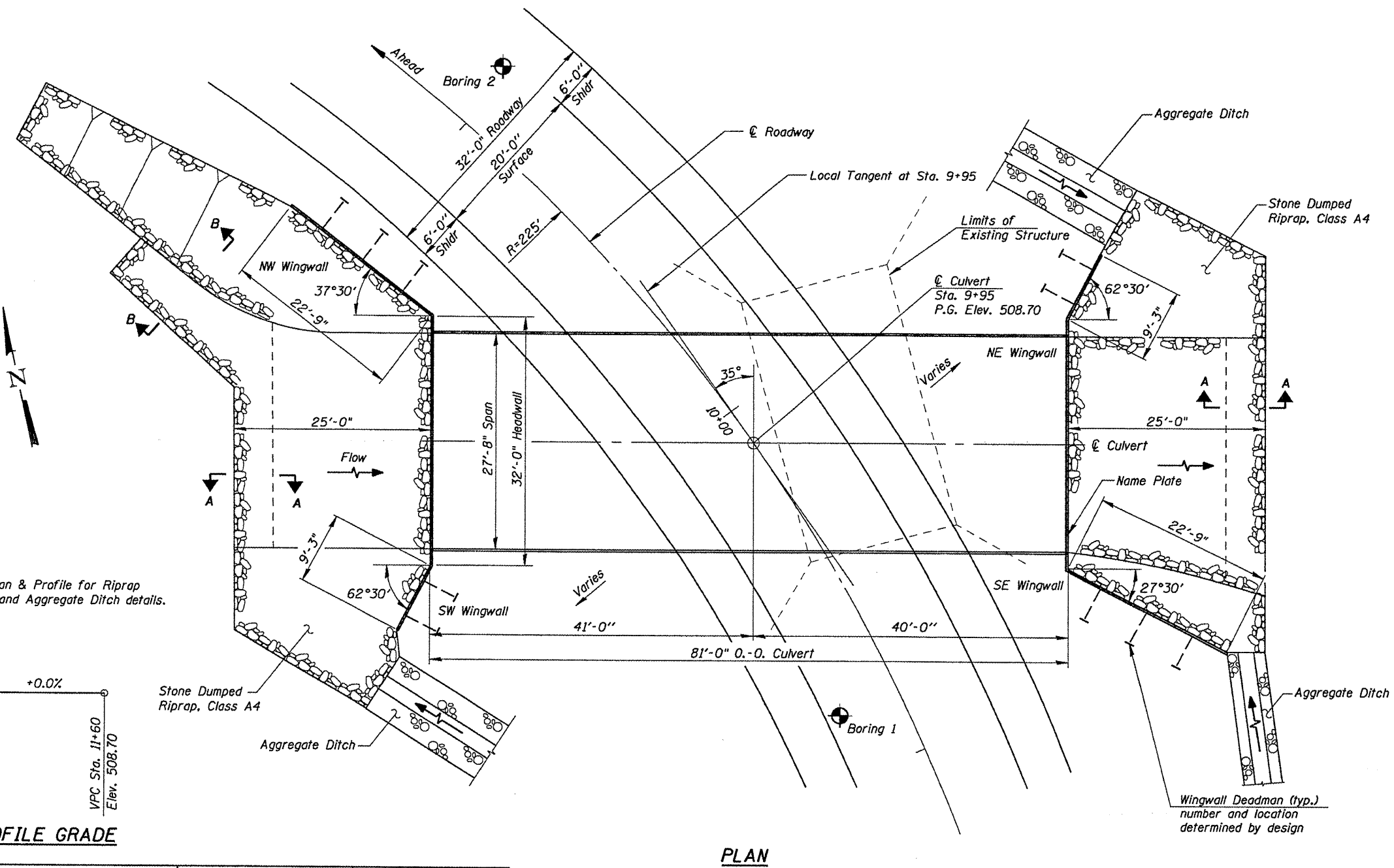
LOCATION PLAN



LONGITUDINAL SECTION  
(Dim's at Rt. L's to C Roadway.)



ELEVATION



PLAN

**WATERWAY INFORMATION**

Drainage Area	1.43 Sq. Mi.
Existing Bridge Opening (15 yr.)	132 Sq. Ft.
Proposed Bridge Opening (15 yr.)	175 Sq. Ft.
Existing Bridge Opening (100 yr.)	152 Sq. Ft.
Proposed Bridge Opening (100 yr.)	175 Sq. Ft.
Design Frequency Discharge (15 yr.)	885 C.F.S.
Created Head (15 yr.)	0.1 Ft.
Discharge (100 yr.)	1475 C.F.S.
Created Head (100 yr.)	0.7 Ft.

**GENERAL NOTES**

See Special Provisions for Boring Data.  
For culvert installation and backfill procedures, see Special Provisions.  
Layout of slope protection system may be varied in the field to suit ground conditions as directed by the Engineer.

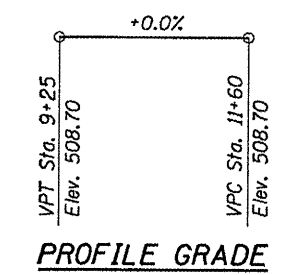
**TOTAL BILL OF MATERIAL**

ITEM	UNIT	TOTAL
* Aluminum Box Culvert (27'-8" x 7'-9")	Each	1
Stone Dumped Riprap, Class A4	Ton	244
Controlled Low Strength Material	Cu. Yd.	44.5
* Geotechnical Material for Bedding Material	Sq. Yd.	267
Name Plates	Each	1

\* See Special Provisions

**GENERAL PLAN & ELEVATION**  
**TR 136 OVER TRIBUTARY TO PIASA CREEK**  
**SECTION 08-05117-00-BR**  
**JERSEY COUNTY**  
**STATION 9+95**  
**STRUCTURE NO. 042-3149**

Note:  
See Plan & Profile for Riprap layout and Aggregate Ditch details.



PROFILE GRADE

<b>CEC</b> Cummins Engineering Corporation Civil and Structural Engineering	JOB = 2237	DESIGNED T.S.H.
	FILE = 2237culv.dgn	CHECKED M.D.C.
	DATE = 1/28/2011	DRAWN T.S.H.
		CHECKED M.D.C.

Sheet 1 of 2	RTE.	SECTION	COUNTY	TOTAL SHEETS	SHEET NO.
	TR 136	08-05117-00-BR	JERSEY	10	6
	MISSISSIPPI ROAD DISTRICT		CONTRACT NO. 97459		
	FED. ROAD DIST. NO.	ILLINOIS FED. AID PROJECT			